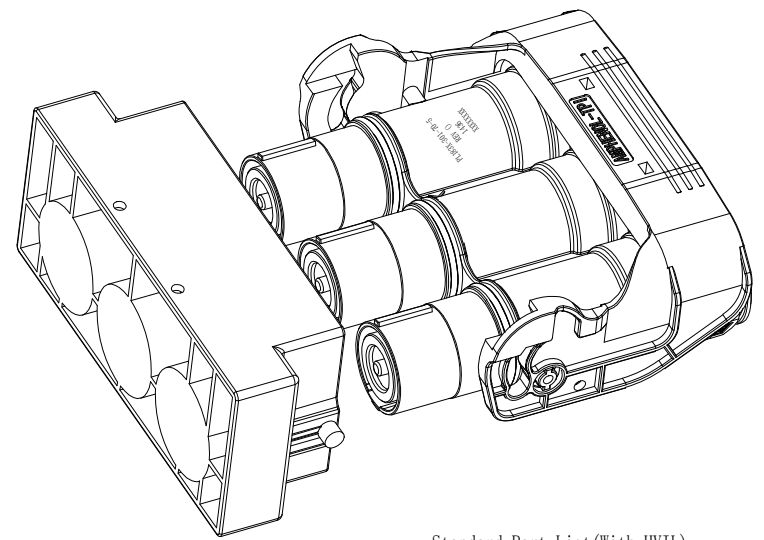
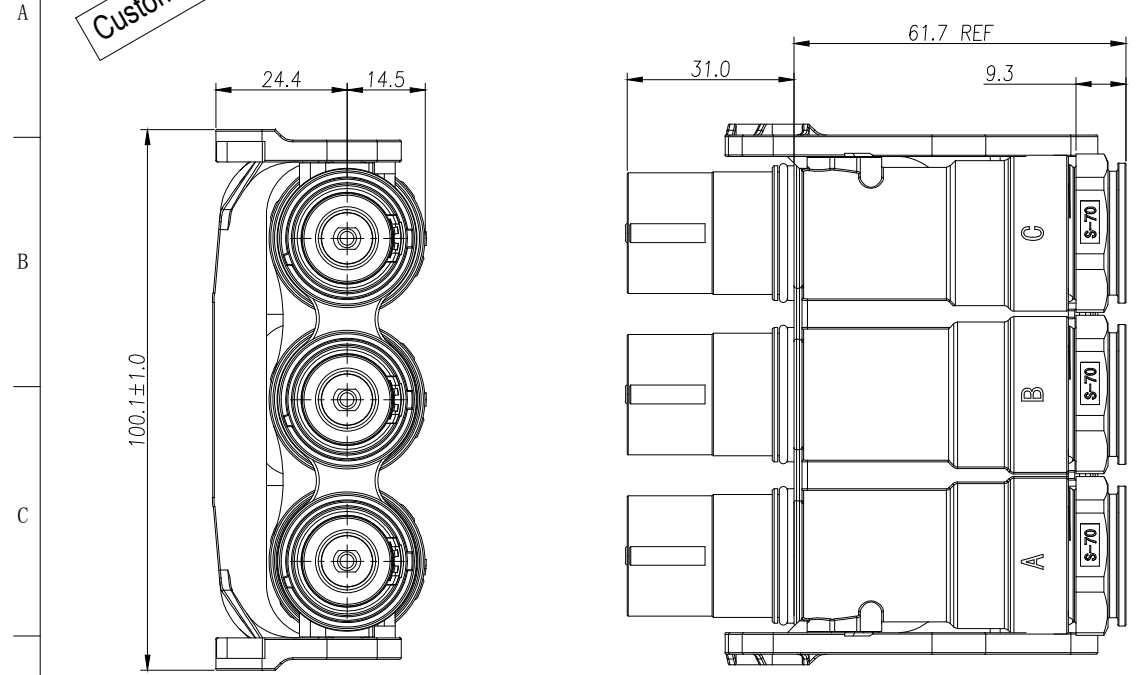


THIS DRAWING IS SUPPLIED FOR INFORMATION ONLY. DESIGN FEATURES, SPECIFICATIONS AND PERFORMANCE DATA SHOWN HEREON ARE THE PROPERTY OF THE AMPHENOL CORPORATION. NO RIGHTS OF REPRODUCTION ARE IMPLIED. ALL DIMENSIONS ARE SUBJECT TO NORMAL MANUFACTURING VARIATIONS.

| REVISIONS | | | DATE | BY | APPR | |
|-----------|------|-----|-----------------|----------|--------|------|
| REV | ZONE | ECO | DESCRIPTION | DATE | BY | APPR |
| A | -- | -- | INITIAL RELEASE | 11/17/20 | Steven | JL |

Customer Drawing

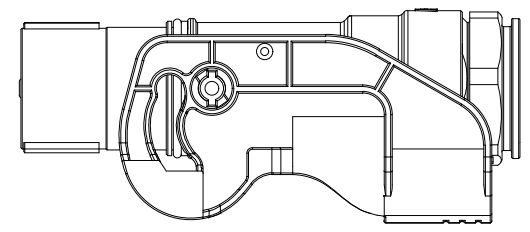
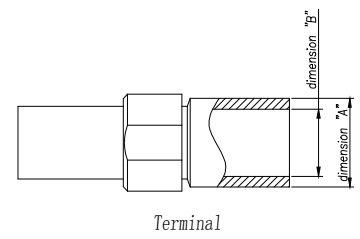


Standard Part List (With HVIL)

| P/N | Model NO. | REV | overall-diameter nominal (mm) | Dia Primary Insulation (mm) | outside-diameter of terminal (mm): "A" | inside-diameter of terminal (mm): "B" |
|-------------|------------------|-----|-------------------------------|-----------------------------|--|---------------------------------------|
| EX-HA007261 | PL183X-301-50-5V | | 14.9±0.3 | 11.5±0.3 | 14.5±0.3 | 10.3±0.3 |
| EX-HA007262 | PL183Y-301-50-5V | A | 14.9±0.3 | 11.5±0.3 | 14.5±0.3 | 10.3±0.3 |
| EX-HA007263 | PL183X-301-70-5V | | 17.0±0.3 | 13.7±0.3 | 16.5±0.3 | 12.5±0.3 |
| EX-HA007264 | PL183Y-301-70-5V | A | 17.0±0.3 | 13.7±0.3 | 16.5±0.3 | 12.5±0.3 |

Standard Part List (Without HVIL)

| P/N | Model NO. | REV | overall-diameter nominal (mm) | Dia Primary Insulation (mm) | outside-diameter of terminal (mm): "A" | inside-diameter of terminal (mm): "B" |
|-------------|------------------|-----|-------------------------------|-----------------------------|--|---------------------------------------|
| EX-HA007265 | PL183X-300-50-5V | | 14.9±0.3 | 11.5±0.3 | 14.5±0.3 | 10.3±0.3 |
| EX-HA007266 | PL183Y-300-50-5V | A | 14.9±0.3 | 11.5±0.3 | 14.5±0.3 | 10.3±0.3 |
| EX-HA007267 | PL183X-300-70-5V | | 17.0±0.3 | 13.7±0.3 | 16.5±0.3 | 12.5±0.3 |
| EX-HA007268 | PL183Y-300-70-5V | A | 17.0±0.3 | 13.7±0.3 | 16.5±0.3 | 12.5±0.3 |



规格参数 (Spec.):

1. 工作温度 Operating temperature: -40° C~+125° C.
2. 额定电流 Current rating (Connector Only):
35mm²:150A; 50mm²:200A; 70mm²:250A;
3. 额定电压 Operating voltage:1000 VDC.
4. 耐电压 Dielectric withstanding voltage: 5000 VDC.
5. 防护等级 Protection class:IP67 & IP2X.
6. 电磁屏蔽 Shielding.
7. 机械寿命 Mating cycle:100 Min.
8. 带自动二次锁扣 Automatic secondary lock.
9. 带高压互锁 Electrical interlock (HVIL).

订购信息 Ordering Information

PL18 3 X - 30 1 - 70 - 5V

| | | |
|---------------------------------|--|---|
| 键位及颜色 Key "X" Key "Y" Key | 高压互锁 HVIL 0, 不带互锁 No HVIL 1, 带互锁 With HVIL | 线缆大小 Cable Size "70"=70mm ² "50"=50mm ² |
|---------------------------------|--|---|



Amphenol Technical Products International Asia.

| | | | | | | |
|---|-------------------------------|-------------|------------|---------------------|-------------|--|
| 第三角投影 THIRD ANGLE PROJECTION | | 页面 SHEET | 幅面 SIZE | 版次 REV. | 比例 SCALE | PART NAME: PwrLok 10mm 3POS Plug Conn |
| 1 OF 1 | | A3 | A | | | DWG NO: EX-HA007261~7268 |
| UNLESS OTHERWISE SPECIFIED 1) All dimensions are in metric(mm). 2) Tolerances are as follows: 0 PL DEC ±1.00 1 PL DEC ±0.50 2 PL DEC ±0.20 | | Angles ±1° | | CUST PART #: N/A | | CUST REV. - |
| 签名 SIGNATURE 制图 DRAWN 审核 CHECKED 批准 APPROVAL | 日期 DATE Steven 11/17/20 | | | | | |