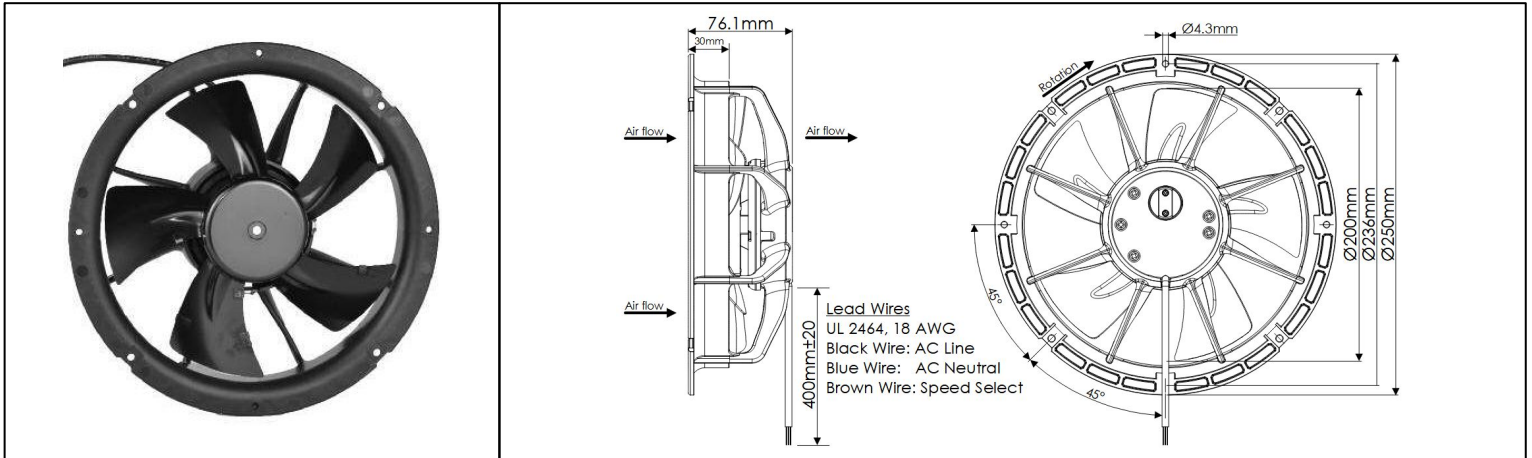


# OA200EC Series



EC Dual Speed Fans - 115, 230V  
250mm x 76mm (9.9" x 3.0")



<b>Frame</b>	PBT, UL90 V-0 Plastic	<b>Operating Temperature</b> -25°C ~ +50°C  <b>Storage Temperature</b> -40°C ~ +80°C  <b>Life Expectancy</b> 40,000 Hours (L10 at 40°C)  <b>Available Options</b> Custom Speeds by request  <b>Weight:</b> 2.2 lbs.
<b>Impeller</b>	Steel Alloy, Black Finish	
<b>Connection</b>	Lead Wires, UL 2464 315mm 18 AWG	
<b>Motor</b>	Brushless EC, Single Phase, Electronically Protected, IP55, 50/60 Hz	
<b>Bearing System</b>	Ball Bearings	
<b>Dielectric Strength</b>	1500VAC/min, <1mA	
<b>Insulation Resistance</b>	≥10MΩ @ 500V DC	

Part Number	Rated Voltage (Volts AC)	Voltage Range (Volts AC)	Speed (RPM)	Input Power (Watts)	Rated Current (Amps)	Max Airflow (CFM)	Noise Level (dBA)	Max Static Pressure (\"H <sub>2</sub> O)
OA200EC-11-1WB	115	103 ~ 126	Low 1400	8.10	0.13	290	44	0.28
			High 2200	26.0	0.40	460	55	0.46
OA200EC-22-1WB	230	207 ~ 253	Low 1400	8.50	0.08	290	44	0.28
			High 2200	27.0	0.24	460	55	0.45

## MOTOR WIRING DIAGRAM

