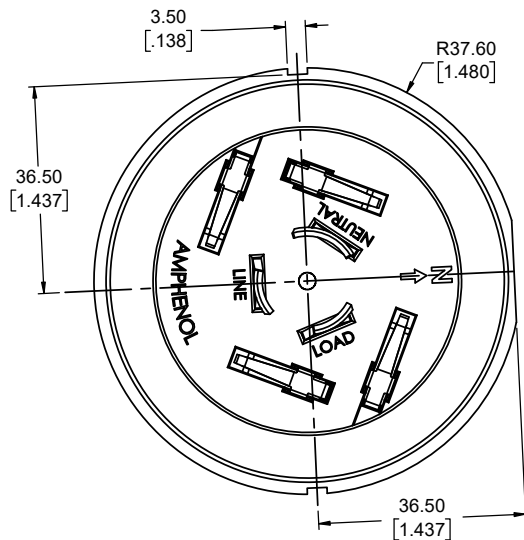
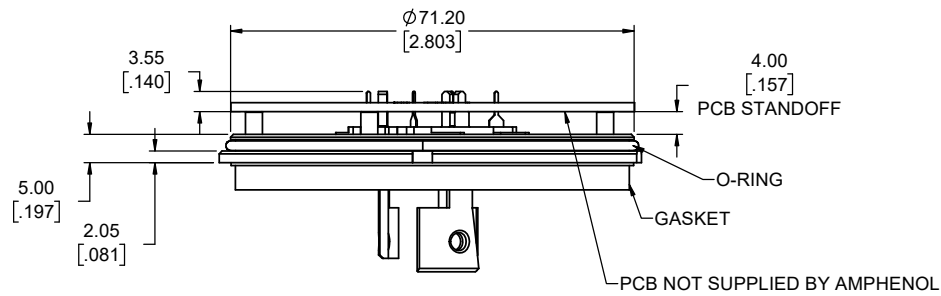
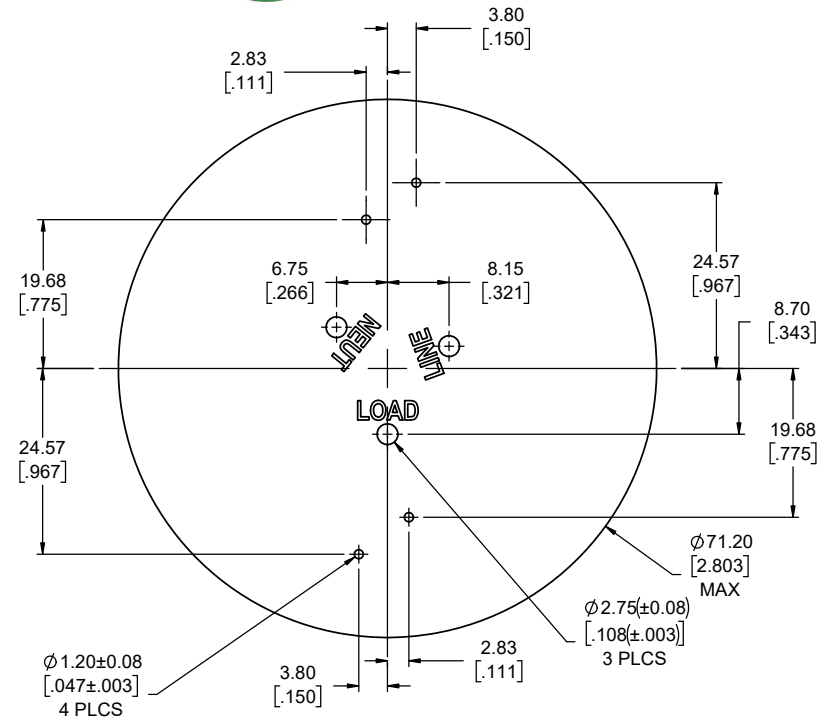


| REVISIONS | | | |
|-----------|-----------------------------|----------|-------|
| REV | DESCRIPTION, ECN, EAR NO. | DATE | APP'D |
| H | PRODUCT DRAWING (EAR 14933) | MAR25/21 | M.P. |
| J | PRODUCT DRAWING (EAR 14970) | MAY07/21 | M.P. |



FLB-P77-001 SHOWN
4 DIMMING CONTACTS



PCB LAYOUT, TOP VIEW
SCALE 2 : 1

NOTES:

- MATERIALS: ALL MATERIALS ARE RoHS COMPLIANT PER EU DIRECTIVE 2011/65/EU & AMENDMENTS.
 - HOUSING: ENGINEERING THERMOPLASTIC, UL FLAMMABILITY RATING 94V-0, COLOUR BLACK
 - POWER CONTACT: COPPER ALLOY, PLATED WITH TIN OVER NICKEL
 - DIMMABLE CONTACT: COPPER ALLOY, PLATED WITH 0.76µm (30µ") GOLD OVER 1.27µm (50µ") NICKEL.
 - GASKET: EPDM RUBBER, UL94V-0 FLAMMABILITY RATING
 - O-RING: SILICONE RUBBER, UL94V-0 FLAMMABILITY RATING
- ELECTRICAL CHARACTERISTICS:
 - POWER CONTACTS:
 - CURRENT RATING: 15 A MAX
 - VOLTAGE RATING: 480 VAC/DC
 - DIMMING CONTACTS:
 - CURRENT RATING: 1.5 A MAX
 - VOLTAGE RATING: 30 VDC
- SPECIFICATIONS:
 - ANSI C136.41
 - ANSI C136.10
 - UL 773
- MATING COVERS CAN BE ORDERED SEPARATELY, REFER TO DRAWING NO.: P-FLB-C70-XXX-001.
- RAINTIGHT, CERTIFIED TO UL773 REQUIREMENTS (WHEN ASSEMBLED WITH DOME / COVER & MATED TO ANSI C136.41 RECEPTACLE).

ORDERING CODE: FLB - P 7 X - 001

FLB SERIES ANSI C136.41

BASE (PLUG)

76mm BASE DIAMETER

NUMBER OF CONTACTS

- 0 = 3 POWER CONTACTS ONLY
- 5 = 3 POWER & 2 DIMMING CONTACTS
- 7 = 3 POWER & 4 DIMMING CONTACTS

STANDARD

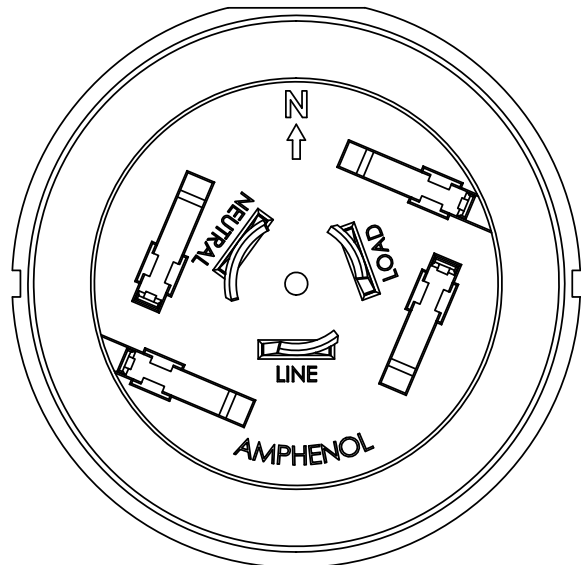
| | | | |
|----------------------------|------------------------|----------|----------|
| UNLESS SPECIFIED OTHERWISE | DRAWN | S. MUGAN | MAY12/20 |
| PRIMARY UNITS MILLIMETERS | CHECKED | A. GREEN | MAY12/20 |
| SECONDARY UNITS INCHES | M.E. APP'D | | |
| REFERENCE IN PARENTHESES | Q.A. APP'D | | |
| GENERAL TOLERANCES | DWG APPR. | | |
| 1 DECIMAL PLACE ±0.3 | ENG. REL. NO. | | |
| 2 DECIMAL PLACES | REF. | | |
| 3 DECIMAL PLACES | THIRD ANGLE PROJECTION | | |
| ANGULAR DEGREES | DO NOT SCALE DRAWING | | |

Amphenol Canada Corp.
Commercial Products

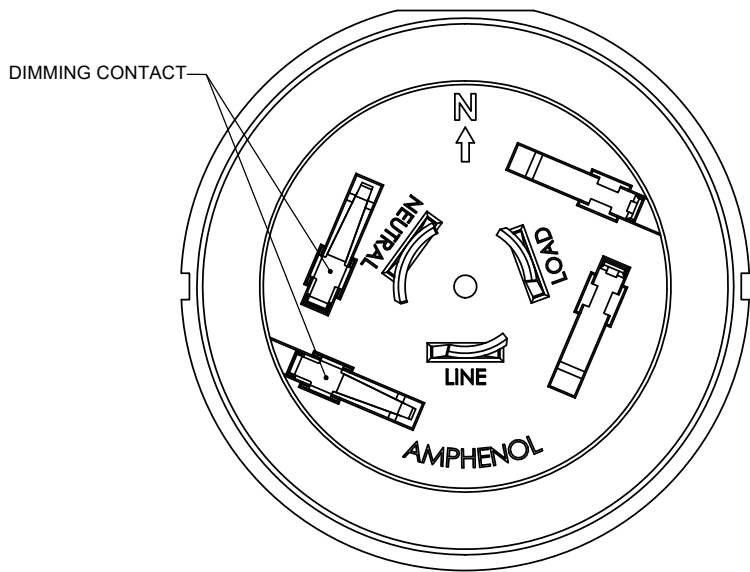
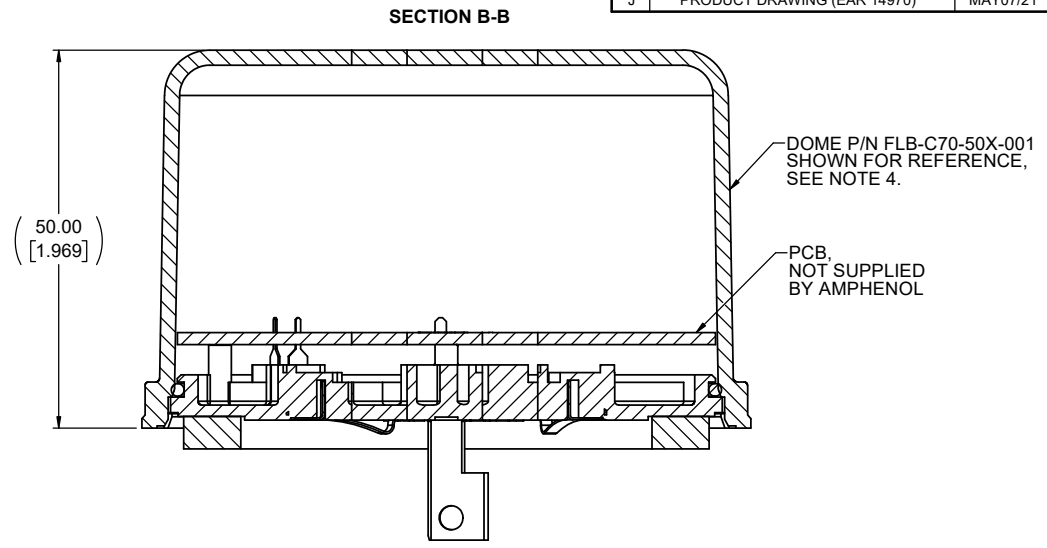
**FLB SERIES, DIMMING CONTROL,
LOCKING TYPE BASE,
RoHS COMPLIANT**

| | |
|-------------------|--------------|
| DWG. NO. | REV |
| P-FLB-P7X-001 | J |
| CODE ID NO. 03554 | DWG SIZE: X |
| SCALE: 3:2 | SHEET 1 OF 2 |

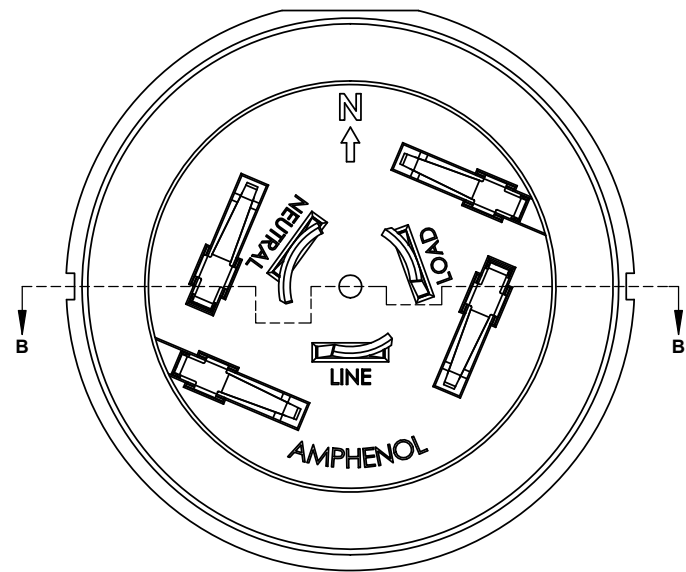
| REVISIONS | | | |
|-----------|-----------------------------|----------|-------|
| REV | DESCRIPTION, ECN, EAR NO. | DATE | APP'D |
| H | PRODUCT DRAWING (EAR 14933) | MAR25/21 | M.P. |
| J | PRODUCT DRAWING (EAR 14970) | MAY07/21 | M.P. |



**FLB-P70-001 SHOWN
NO DIMMING CONTACTS**



**FLB-P75-001 SHOWN
2 DIMMING CONTACTS**



**FLB-P77-001 SHOWN
4 DIMMING CONTACTS**



| | | | |
|----------------------------|------------------------|----------|----------|
| UNLESS SPECIFIED OTHERWISE | DRAWN | S. MUGAN | MAY12/20 |
| PRIMARY UNITS MILLIMETERS | CHECKED | A. GREEN | MAY12/20 |
| SECONDARY INCHES | M.E. APP'D | | |
| REFERENCE IN PARENTHESES | Q.A. APP'D | | |
| GENERAL TOLERANCES | DWG APPR. | | |
| 1 DECIMAL PLACE | ENG. REL. NO. | | |
| 2 DECIMAL PLACES | REF. | | |
| 3 DECIMAL PLACES | THIRD ANGLE PROJECTION | | |
| ANGULAR DEGREES | DO NOT SCALE DRAWING | | |

Amphenol Canada Corp.
Commercial Products

**FLB SERIES, DIMMING CONTROL,
LOCKING TYPE BASE,
RoHS COMPLIANT**

DWG. NO. **P-FLB-P7X-001** REV **J**

CODE ID NO. 03554 | DWG SIZE: X | SCALE: 2:1 | SHEET 2 OF 2

THIS DOCUMENT CONTAINS PROPRIETARY INFORMATION AND SUCH INFORMATION MAY NOT BE DISCLOSED TO OTHERS FOR ANY PURPOSE OR USED FOR MANUFACTURING PURPOSES WITHOUT WRITTEN PERMISSION FROM AMPHENOL CANADA CORP.