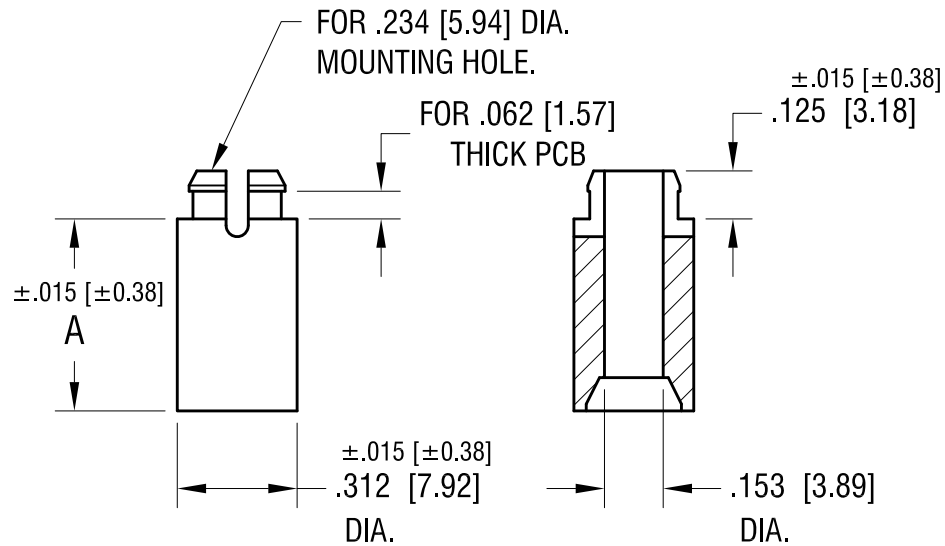


THIS DOCUMENT IS THE PROPERTY OF
KEYSTONE ELECTRONICS CORP. AND
SHALL NOT BE REPRODUCED, DISTRIBUTED
OR USED AS A BASIS FOR MANUFACTURE
WITHOUT PRIOR WRITTEN PERMISSION
FROM KEYSTONE ELECTRONICS CORP.



PART NO.	'A' DIM.
8835	.250 [6.35]
8836	.375 [9.53]
8837	.500 [12.70]
8838	.625 [15.88]

11.04.09	CHANGE AS PER ECN 09-159	D
6.24.08	CHANGE AS PER ECN 08-112	C
12.29.99	CHANGE AS PER ECN 99-106	B
1.19.99	CHANGE AS PER ECN 99-008	A
DATE	DESCRIPTION	REV.

KEYSTONE ELECTRONICS CORP.
www.keyelco.com • ASTORIA, N.Y. 11105-2017 • Tel (718) 956-8900

PART NAME		STACKING SPACER	
MATERIAL		NYLON 6/6, UL 94V-0	
FINISH	-	DRN BY	BOONE
		DATE	5.11.95
		APP'D	LN
		SCALE	2X
TOLERANCES	INCH [MM]	CODE	DWG NO.
DECIMAL	± .005 [± 0.13]	C	8835-8838
ANGULAR	± 1°		
UNLESS OTHERWISE SPECIFIED			