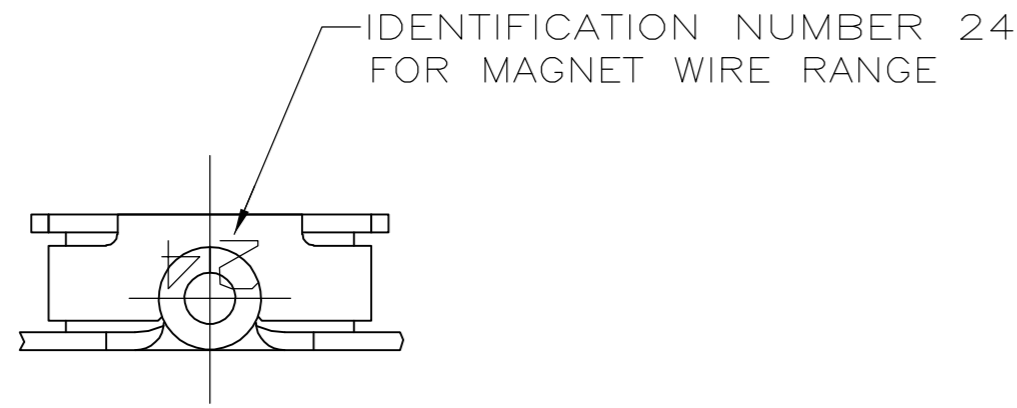
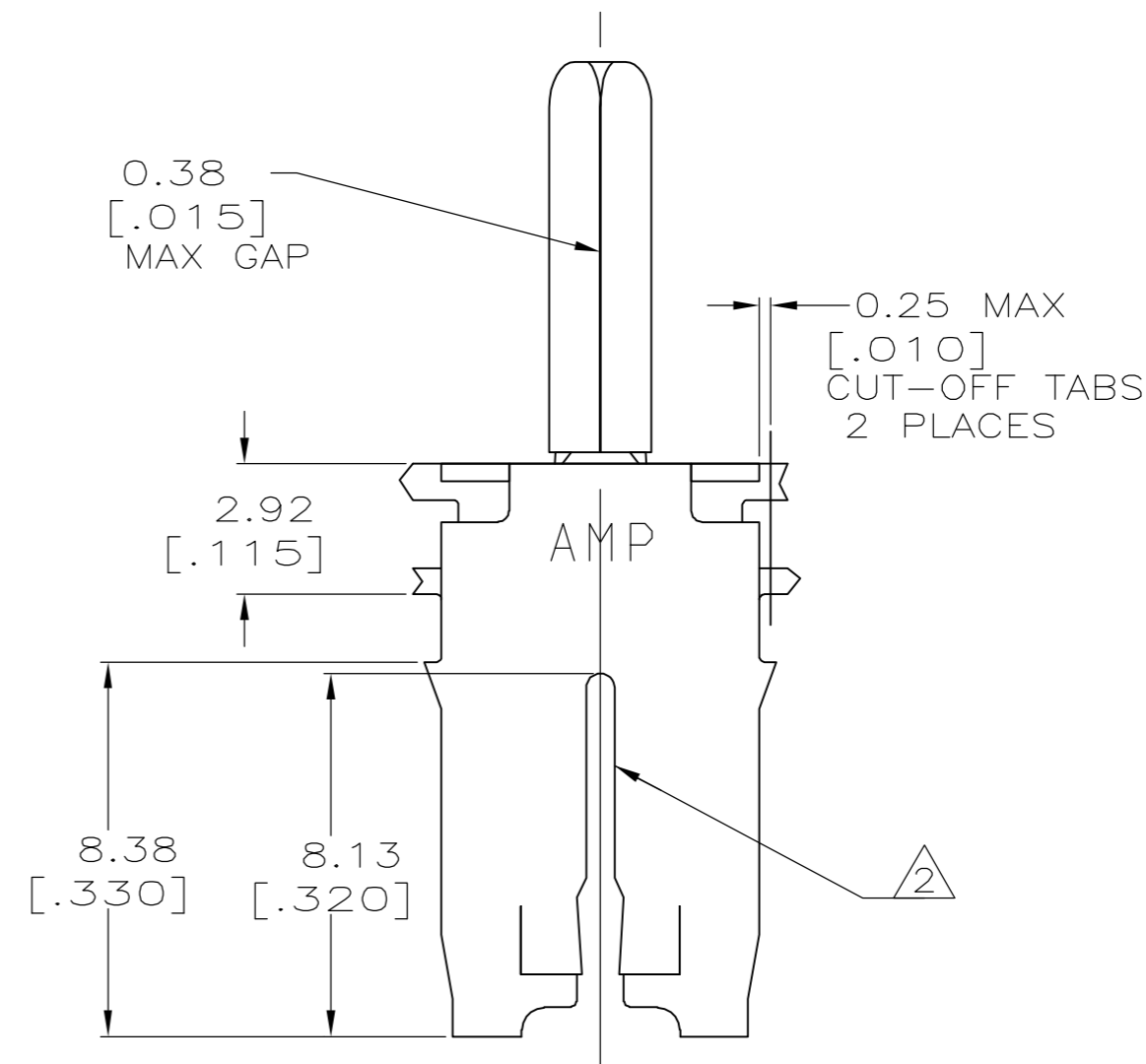
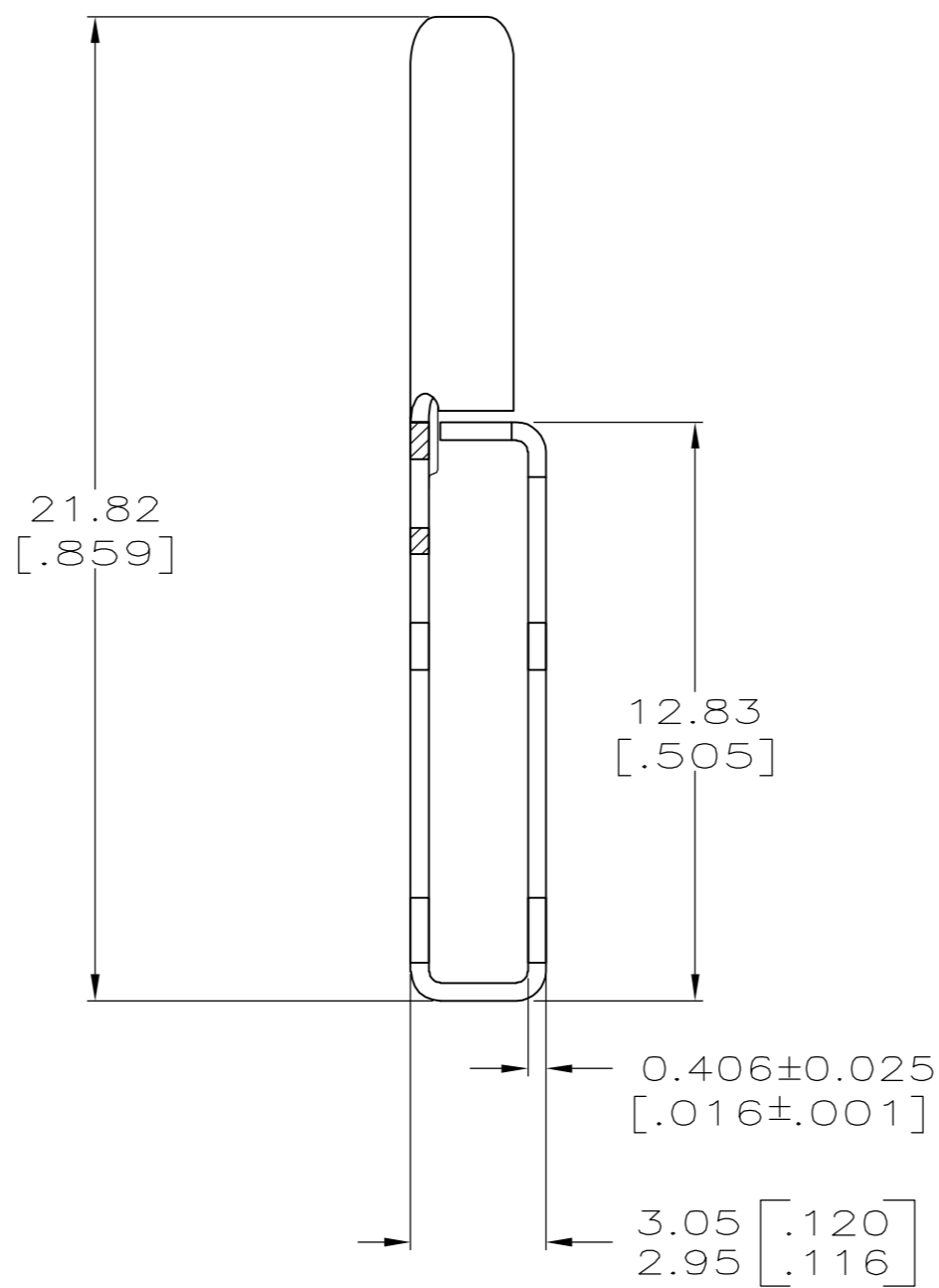
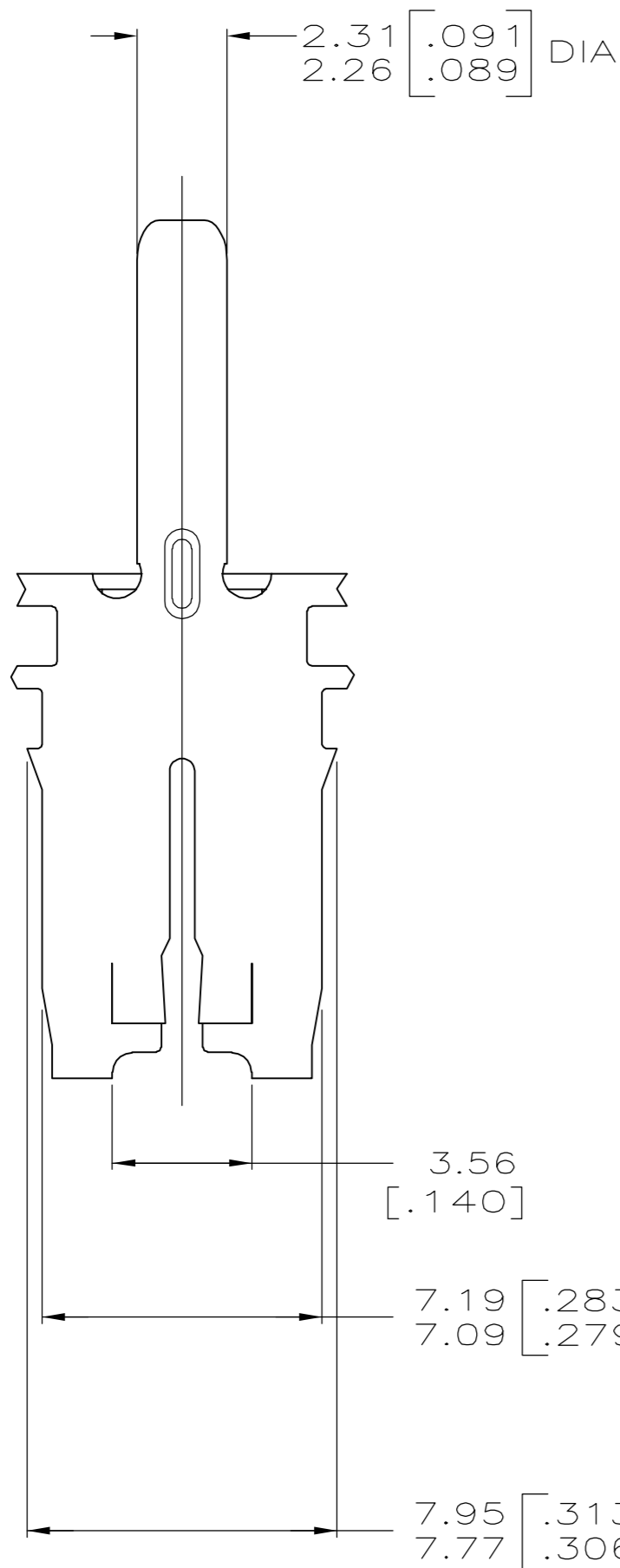


THIS DRAWING IS UNPUBLISHED. RELEASED FOR PUBLICATION
 © COPYRIGHT BY TYCO ELECTRONICS CORPORATION. ALL RIGHTS RESERVED.

LOC	DIST	REVISIONS			
P	LTR	DESCRIPTION	DATE	DWN	APVD
AF	50	F	REVISED PER 0G3A-0203-05	6APR05	MF KR



- 1 CONTINUOUS STRIP ON REELS WITH TERMINALS LOCATED ON 8.38±0.08 [.330±.003] CENTERS.
- 2 SLOT ACCEPTS 0.86-1.15mm [#19.5-#17] AWG COPPER MAGNET WIRE. 2 WIRES OF THE SAME SIZE MAX PER SLOT.
- 3 VARNISH RESIST OVER 0.002032 [.000080] MIN TIN
- 4 PRELIMINARY - NOT FOR PRODUCTION.



082 BRASS	4 63278-2
4M BRASS	63278-1
MATERIAL	PART NUMBER

THIS DRAWING IS A CONTROLLED DOCUMENT.		DWN 10APR97 MICHAEL S. FEHER	Tyco Electronics Corporation Harrisburg, Pa 17105-3608	
DIMENSIONS: INCHES		CHK 11APR97 JEFF R. RUTH	NAME	
TOLERANCES UNLESS OTHERWISE SPECIFIED:		APVD 14APR97 NELSON E. NEFF	PIN, 2.29[.090] DIA, 500 SERIES MAG-MATE	
0 PLC ± -		PRODUCT SPEC	SIZE	RESTRICTED TO
1 PLC ± -		108-2053	CAGE CODE	
2 PLC ± 0.25[.010]		APPLICATION SPEC	DRAWING NO	
3 PLC ± -		114-2066	SCALE	
4 PLC ± -		WEIGHT	SHEET	
ANGLES ± -		CUSTOMER DRAWING	OF	
FINISH			1	
SEE TABLE			1	
			REV	
			F	