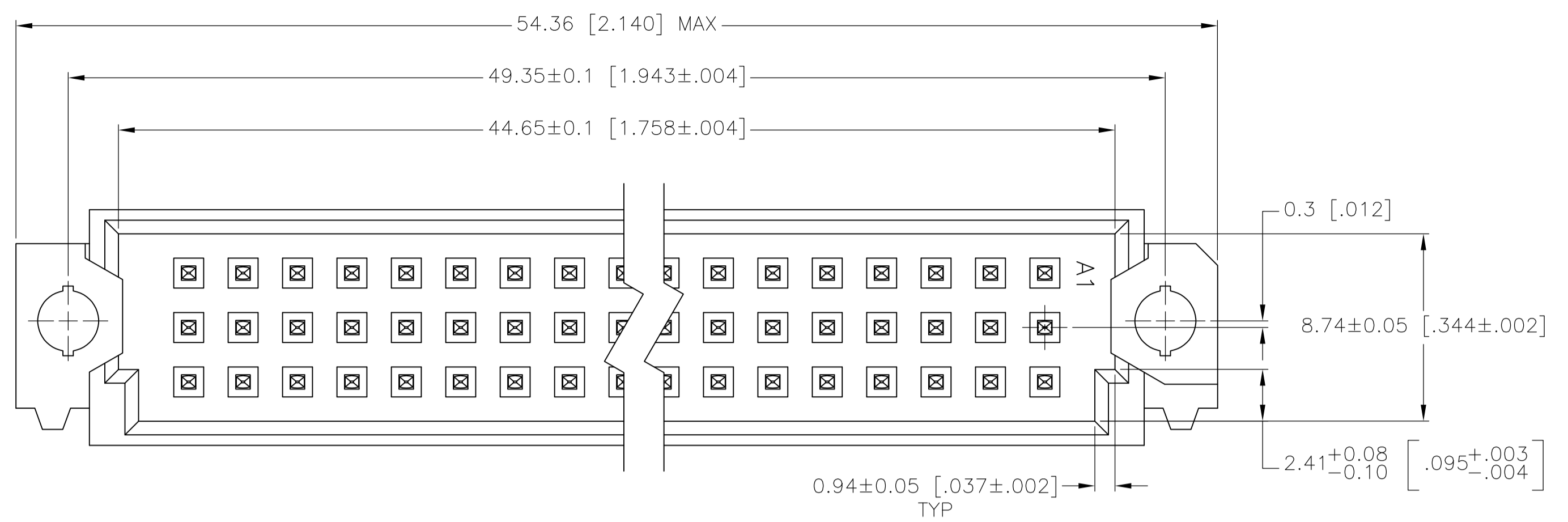
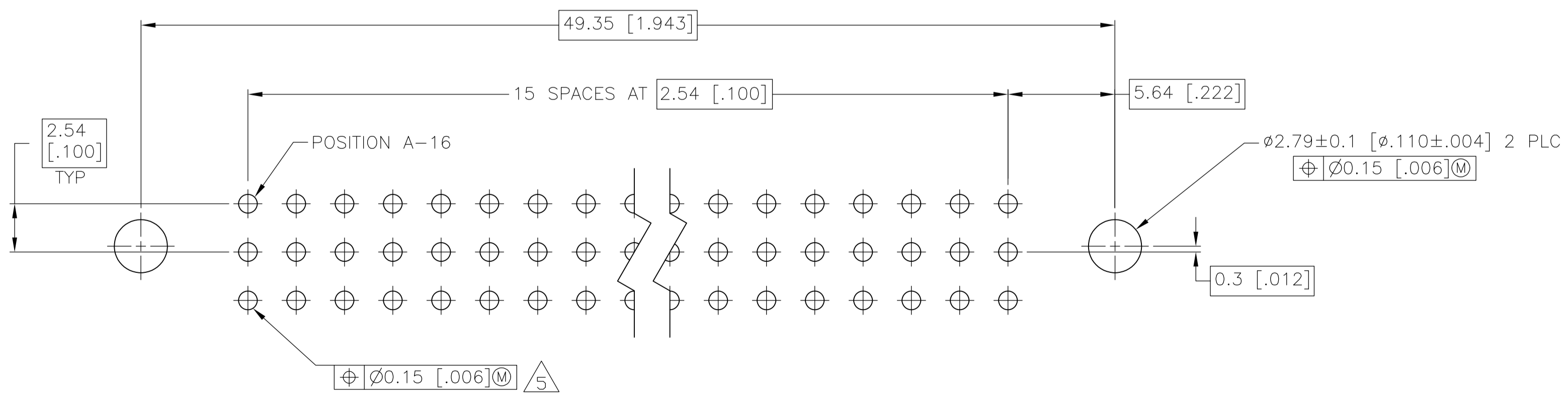
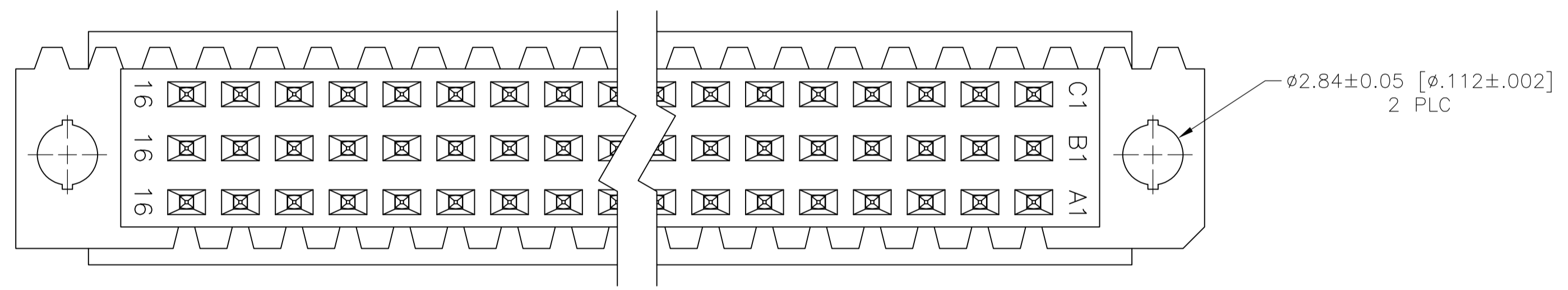
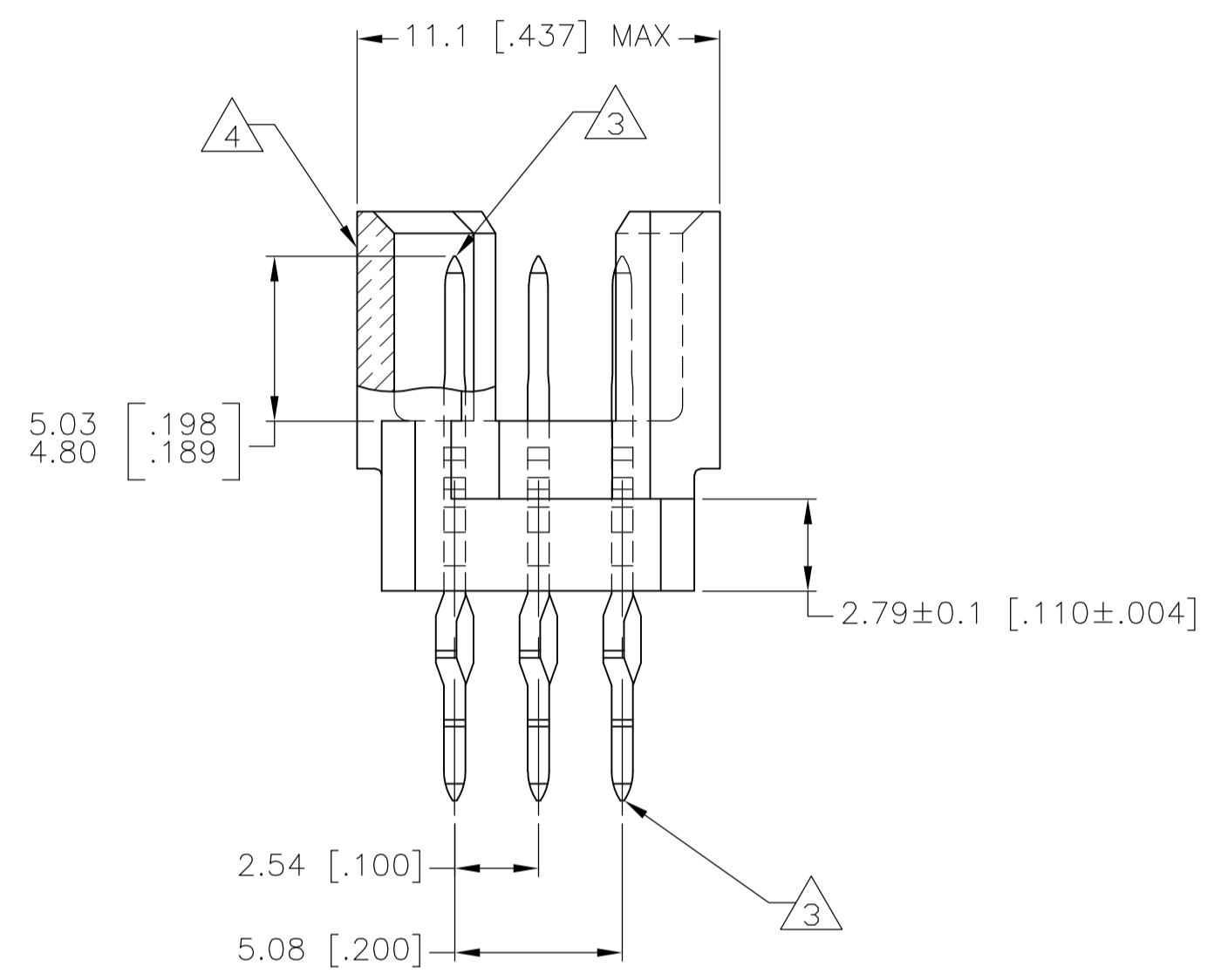
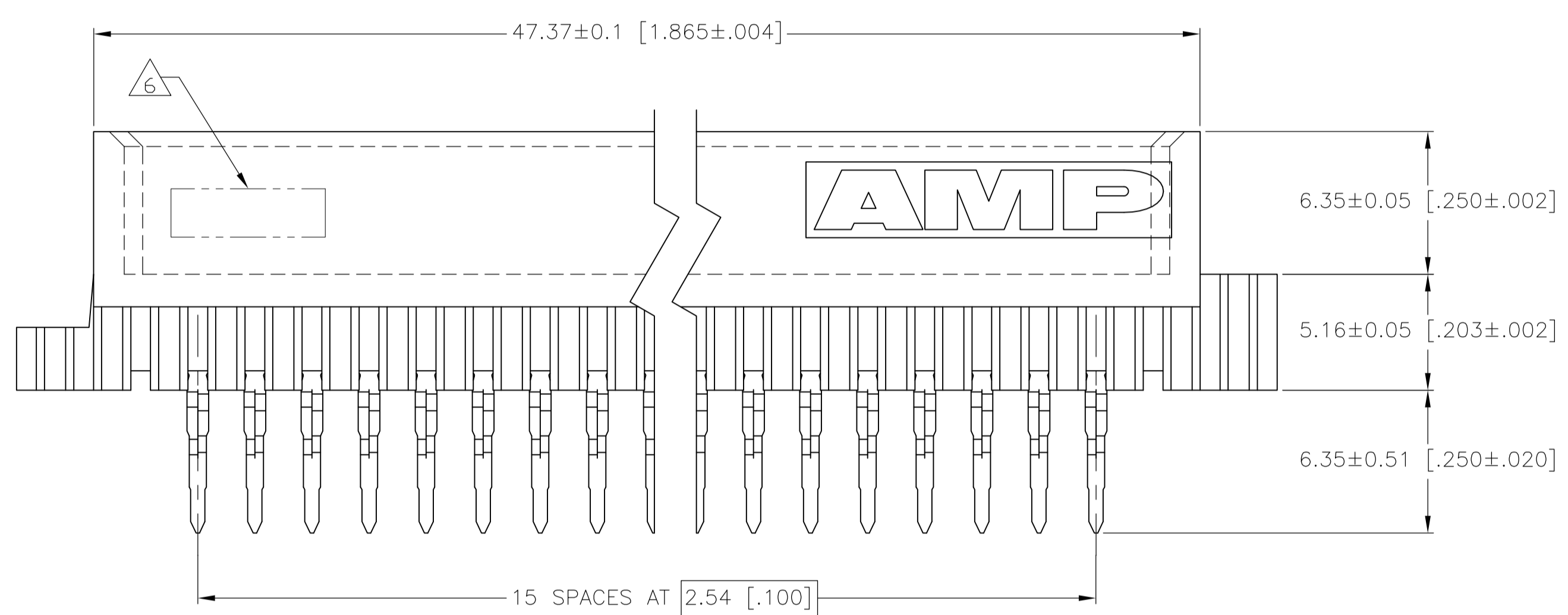


LOC		DIST		REVISIONS				
AD	00	REV	DATE	BY	CHK	APPV		
01		REVISED PER ECO-07-012819	28JUN07	DH	DB			



- 1 HOUSING MATERIAL: GLASS-FILLED POLYMER.
- 2 POST MATERIAL: COPPER ALLOY.
- 3 POST FINISH: DIN 41612 CLASS 2 IN CONTACT AREA. TIN PLATE ON POSTS.
- 4 MARKING ON THIS SIDE.
- 5 ACTION PIN POSTS REQUIRE 2.36 [.093] MIN THICK PC BOARD. RECOMMENDED PC BOARD HOLES ARE Ø1.151 [.0453] PLATED THROUGH WITH 0.02-0.08 [.001-.003] COPPER AND 0.008 [.0003] MIN TIN-LEAD PLATING. FINISHED HOLE AFTER PLATING, Ø0.94-1.09 [.037-.043].
- 6 PART NUMBER, DATE CODE MARKED THIS APPROXIMATE AREA.



PC BOARD LAYOUT

1-16	X	X	X	48	5650918-5
POSITIONS LOADED	C	B	A	NO OF LOADED POSITIONS	ASSY PART NUMBER
	ROWS LOADED				

THIS DRAWING IS A CONTROLLED DOCUMENT.		DIN J. POLIGNONE DSMAYOS		Tyco Electronics Corporation Harrisburg, Pa 17105-3608	
DIMENSIONS: mm [INCHES]		TOLERANCES UNLESS OTHERWISE SPECIFIED:		APVD A. SHARPE DSMAYOS NAME ASSEMBLY, PIN, EUROCARD, TYPE 1/2R, 48 POSITION, 6.35[.250] PRESS-FIT POSTS	
0 PLC ± -		1 PLC ± -		SIZE A1	
2 PLC ± 0.13 [.005]		3 PLC ± -		CAGE CODE 00779	
4 PLC ± -		ANGLES ± -		DRAWING NO. 5650918	
MATERIAL 1 2		FINISH 3		WEIGHT -	
CUSTOMER DRAWING		SCALE 5:1		SHEET 1 OF 1 REV 01	