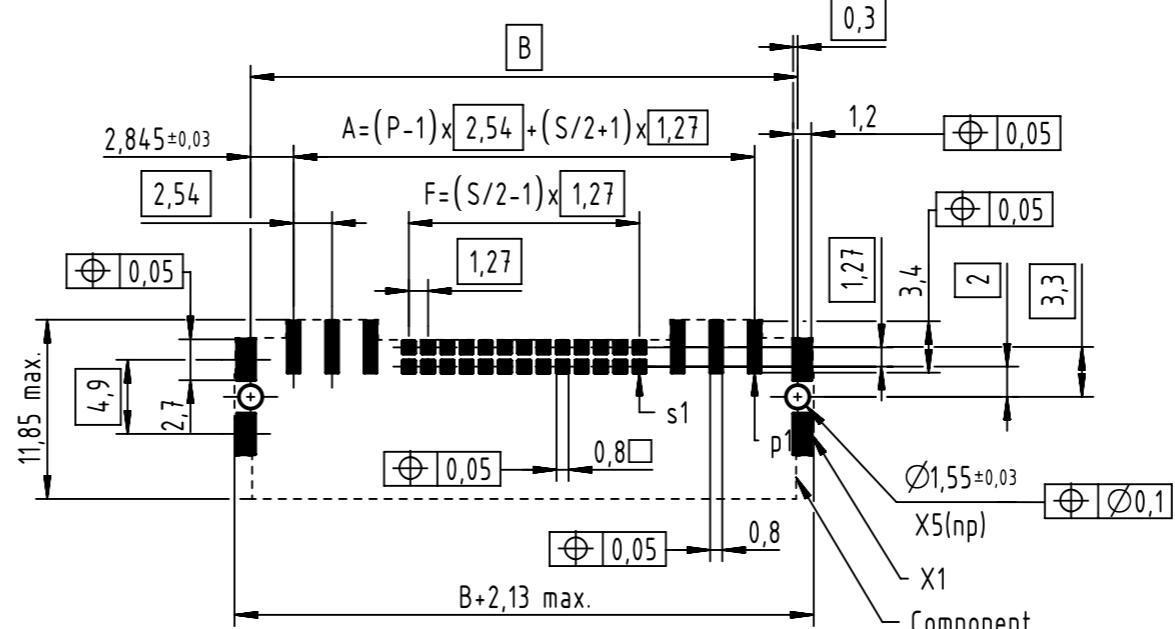
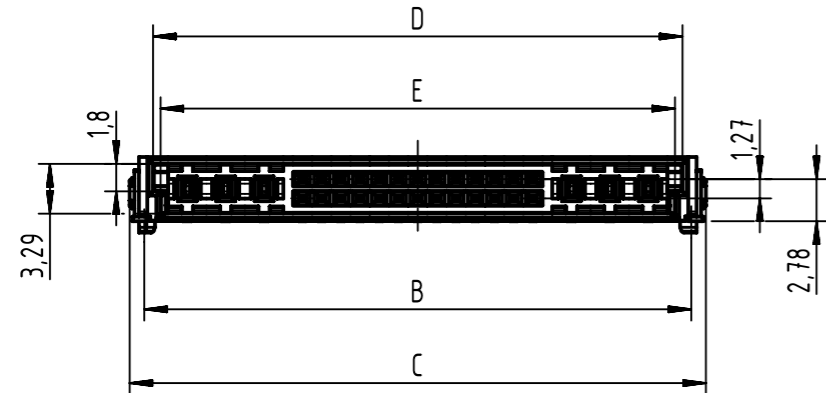
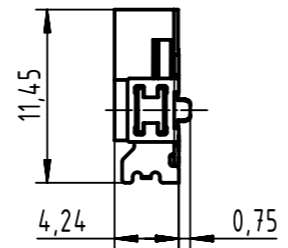
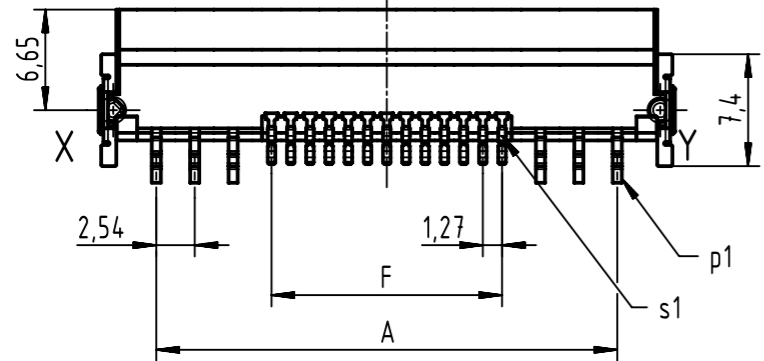


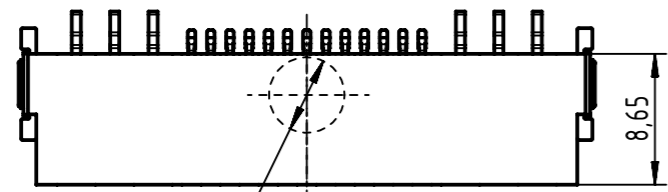
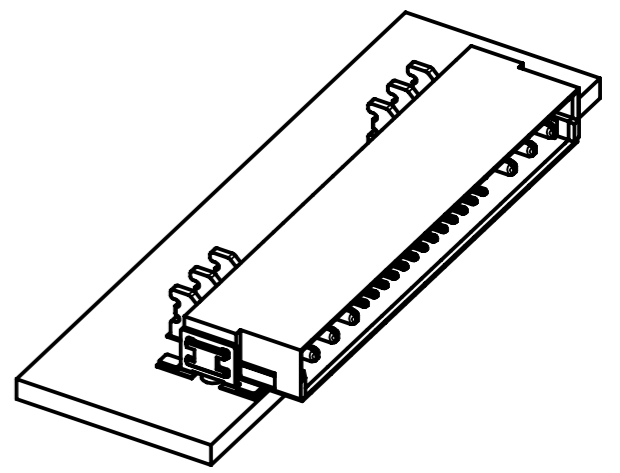
Power poles P=	Signal poles S=	Part number	A	B	C	D	E	F
2	8	1575 208 X601 XXX	8,89	14,58	16,51	13,42	12,42	3,81
4	16	1575 416 X601 XXX	19,05	24,74	26,67	23,58	22,58	8,89
6	26	1575 626 X601 XXX	30,48	36,17	38,1	35,01	34,01	15,24
8	36	1575 836 X601 XXX	41,91	47,6	49,53	46,44	45,44	21,59

Packaging	
tape & reel with 400 pcs per reel	000
samples	333

Performance level	
PL1 : > 500 mating cycles	2



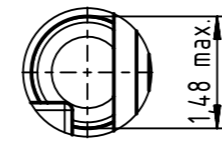
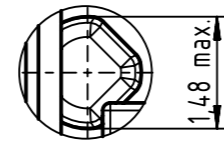
X=only mechanical; np=not plated thru hole



Vacuum picking area

X (10:1)

Y (10:1)



Further technical information see data sheet

	All rights reserved	Created by SHENGJ	Inspected by WANGSTE	Standardisation 302077	Date 2020-10-30	State Final Release
	Department EL PD	Title har-flex angled hybrid male SMT connector			Doc-Key / ECM-Nr. 100789101/UGD/001/B 500000182415	
HARTING Electronics GmbH D-32339 Espelkamp		Type TB	Number 1575XXXX601XXX		Rev. B	Page 1/2

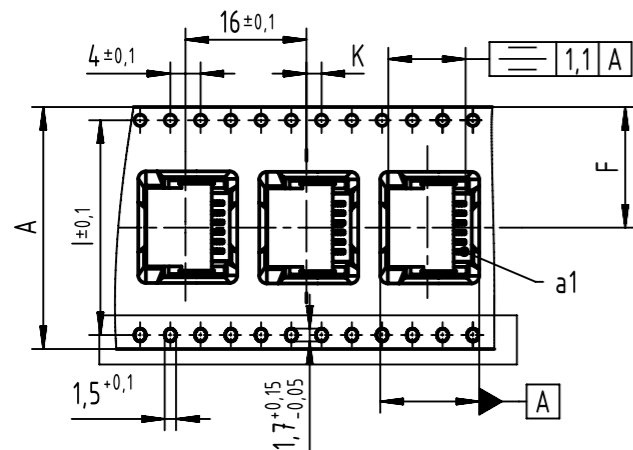


har-flex angled hybrid power male connector

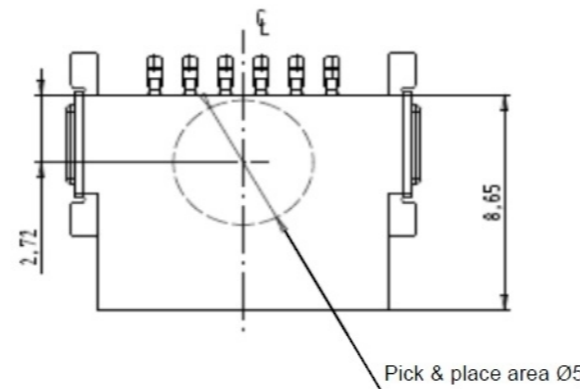


TAPE LAYOUT & PACKAGING

Tape acc. to IEC 60286-3

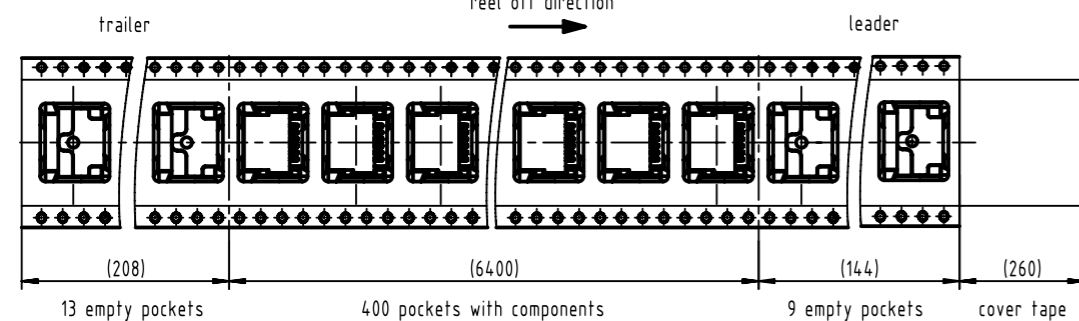
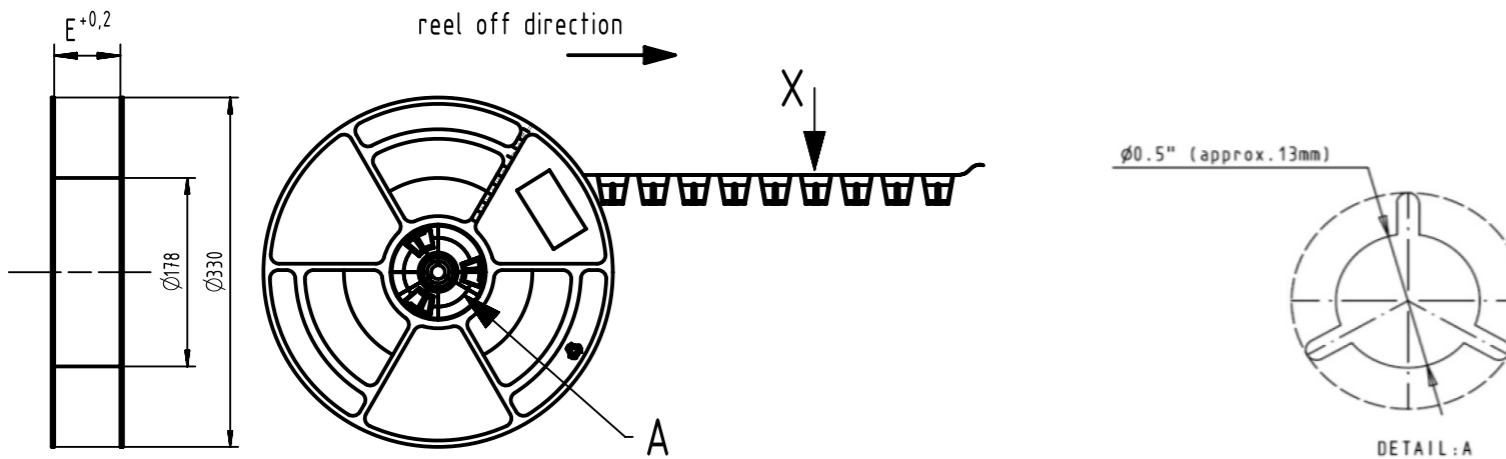


Tape dimensions:	A	F	I	K
Poles 2P+8S	32,0±0,3	14,2±0,1	28,4	2±0,1
Poles 4P+16S	44,0±0,3	20,2±0,1	40,4	2±0,1
Poles 6P+26S	56,0±0,3	26,2±0,1	52,4	2±0,15
Poles 8P+36S	72,0±0,3	34,2±0,1	68,4	2±0,15



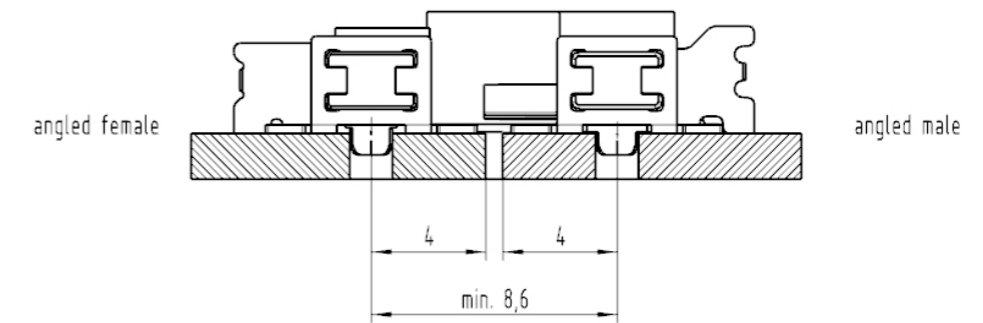
Packaging indices ("XXX" in part number)		
Index	Packaging unit	Packaging
000	400	Tape & reel
333	1	Tape

REEL DIMENSIONS

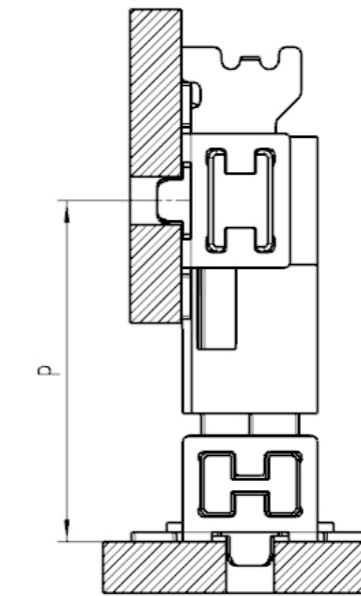


Reel dimensions:	E
Poles 2P+8S	32,4
Poles 4P+16S	44,4
Poles 6P+26S	56,4
Poles 8P+36S	72,4

APPLICATION INFORMATION



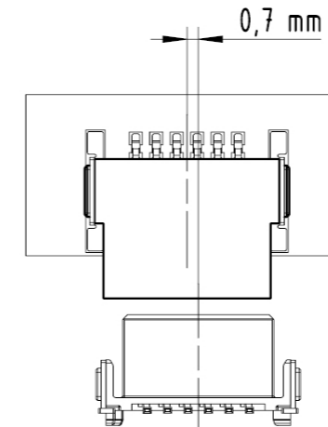
angled male



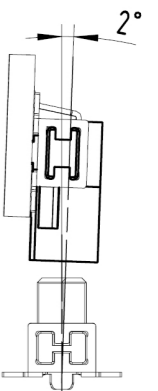
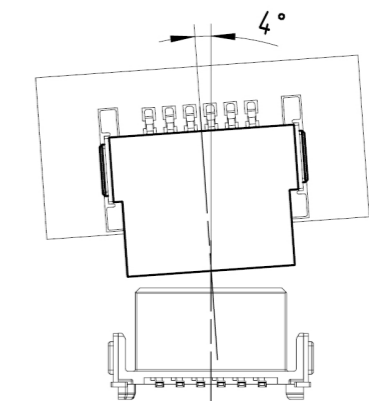
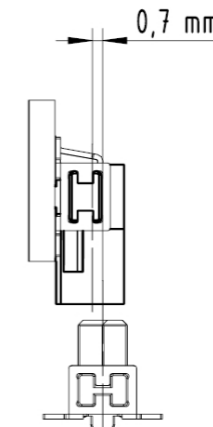
straight female

9,05	10,7
Y	P min.

Admissible mismatching



Admissible inclination



All Dimensions in mm
Original Size DIN A3

Scale
1:1

Free size tol.

Ref.

Sub.



All rights reserved

Department EL PD

Created by
SHENGJ

Inspected by
WANGSTE

Standardisation
302077

Date
2020-10-30

State
Final Release

Title
har-flex angled hybrid male SMT connector

Doc-Key / ECM-Nr.
100789101/UGD/001/B
500000182415

HARTING Electronics GmbH

D-32339 Espelkamp

Type
TB

Number
1575XXXX601XXX

Rev.
B

Page
2/2