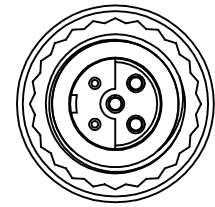
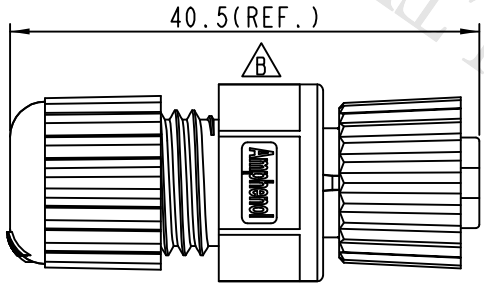
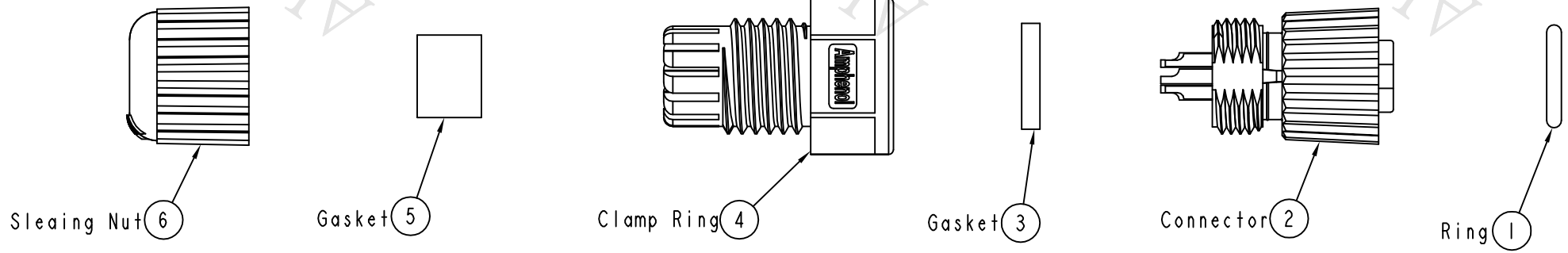


REV.	ECN NO.	DATE	SIGN	DESCRIPTION
B	LEN1480609	2014/08/12	Rita	Update Logo



Conn.



Pin Assignments
Front View

- Note:
- * \varnothing Important Dimension.
 - * Waterproof Rate: IP68
 - * Housing: Black, Nylon+GF
 - * Pin: Copper Alloy, Gold Plated
 - * Nut: Black, Nylon+GF
 - * Ring: Green, Viton
 - * Gasket: Black, EPDM
 - * Clamp Ring: Black, Nylon
 - * Sealing Nut: Black, Nylon
 - * Seal: Black, EPDM
 - * Seal For Cable OD: \varnothing 4.5mm- \varnothing 6.5mm

UNIT: mm		
TOLERANCE	.X ±0.25	
	.XX ±0.1	
	.XXX ±0.05	
ANGLES	±1°	

TITLE M12 Conn, Assy Screw 5Pin F Conn. C Pin			
SCALE	3:2	SIZE	A4
SHEET	1	OF	1
REV.	B	WC-REV.	A.3
\varnothing : Inspection item			

Amphenol LTW
安費諾亮泰企業股份有限公司

ITEM NO	12P-05BF1A-SL8001
DWG NO	12P-05BF1A-SL8001
CUSTOMER	ALTW

DRAWN BY	Rita
CHECKED BY	Kris
APPROVED BY	Wenmao

DATE	2014-08-12
DATE	2014-08-12
DATE	2014-08-12

THIS DOCUMENT IS SUBJECT TO CHANGE WITHOUT NOTICE. IT IS CONFIDENTIAL AND A PROPERTY OF Amphenol LTW. DISCLOSURE TO THIRD PARTY HAS TO BE AUTHORIZED BY Amphenol LTW.