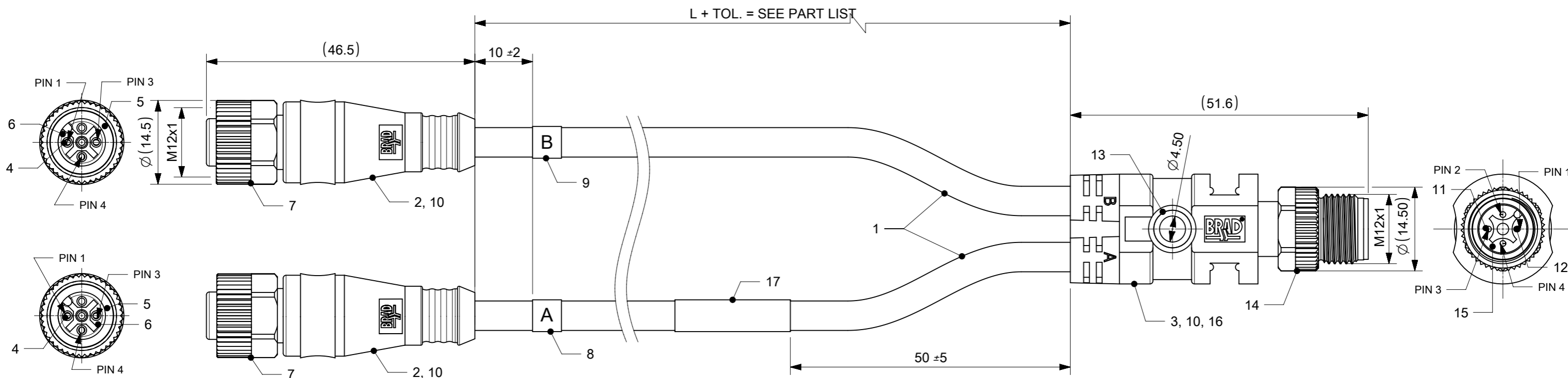
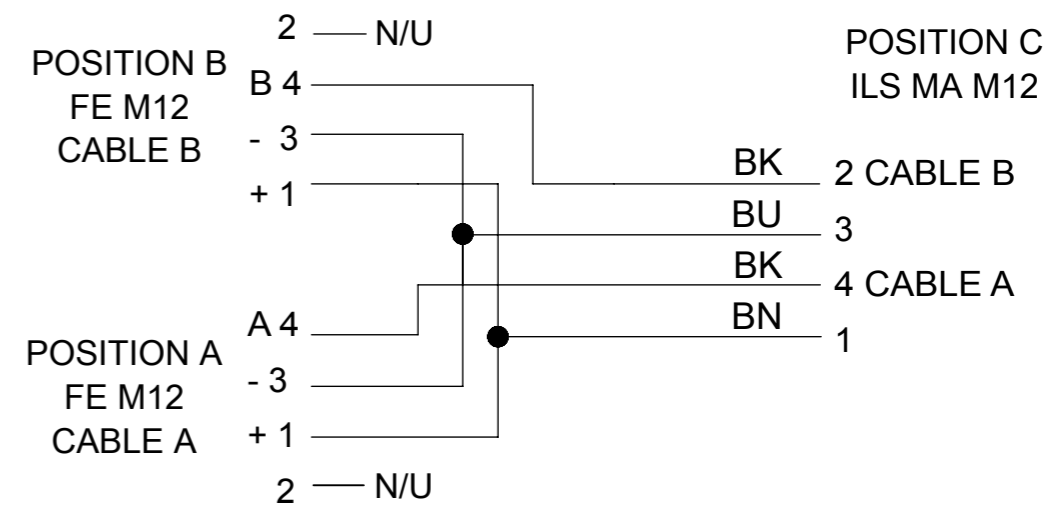


WIRING DIAGRAM



NOTES:  
 TEMPERATURE RANGE SEE TABLE ON SHEET 2  
 CONTACT CURRENT RATING 4A  
 VOLTAGE RATING 250V  
 PROTECTION CLASS IP67

SYMBOLS	THIS DRAWING CONTAINS INFORMATION THAT IS PROPRIETARY TO MOLEX ELECTRONIC TECHNOLOGIES, LLC AND SHOULD NOT BE USED WITHOUT WRITTEN PERMISSION		CURRENT REV DESC:						
	DIMENSION UNITS	SCALE						EC NO: 625150	DRWN: MCELEJEWSKI 2019/10/04
▽ = 0	mm	3:2	DRWN: MCELEJEWSKI 2019/10/04	CHK'D: DSTACHOWIAK 2019/10/07	PRODUCT CUSTOMER DRAWING				
▽ = 0	GENERAL TOLERANCES (UNLESS SPECIFIED)		APP: DSTACHOWIAK 2019/10/07	INITIAL REVISION:		DOCUMENT NUMBER	DOC TYPE	DOC PART	REVISION
▽ = 0	ANGULAR TOL ± °		DRWN: JMARSZALEK 2014/11/15		SD-120068-002		PSD	001	C
▽ = 0	4 PLACES ±		APP: MIWASIECZKO 2015/06/03		MATERIAL NUMBER	CUSTOMER	SHEET NUMBER		
▽ = 0	3 PLACES ±		THIRD ANGLE PROJECTION		SEE PART LIST/SHEET 2	GENERAL MARKET	1 OF 2		
▽ = 0	2 PLACES ± 0.05		DRAWING		A3-SIZE	120068			
▽ = 0	1 PLACE ± 0.3		SERIES						
▽ = 0	0 PLACES ± 0.5		MUST REMAIN WITHIN DIMENSIONS						

# PART No MATRIX

**8 8 4 A 3 0 B 3 0 M X X X**

88 = M12x1 Double ended	Poles: 4 = 4 Poles	Heads style: A30 = ILS plug Male 2x plug Female straight	Cable: B30 = 0.34mm <sup>2</sup> TPU Black	Units: M = Meter	Length Examples: 005 = 0.5 m 010 = 1 m 020 = 2 m 050 = 5 m 100 = 10 m 150 = 15 m 200 = 20 m
----------------------------	-----------------------	--	---	---------------------	---

## CABLE SPECIFICATION


CABLE TYPE	WIRES No	WIRE GAUGE	CABLE JACKET	UL	CSA	TEMP. RANGE STATIC BENDING RADIUS STATIC	TEMP. RANGE DYNAMIC BENDING RADIUS DYNAMIC	DRAG CHAIN	OTHER INFORMATION
B30	3	0.34mm <sup>2</sup>	TPU BASED BLACK	STYLE 21215	YES	-40°C to +90°C 5xD	-25°C to +80°C 7.5xD	5 MILLION CYCLES, AT 25°C	WELD SLAG RESISTANCE

## BOM

ITEM	QTY	DESCRIPTION	MATERIAL	FINISH/COLOR
17		LABEL	VINYL	YELLOW
16	-	HEAT-SHRINK	-	CLEAR
15	1	INSERT M12 MALE 4P	PUR	BLACK
14	1	NUT M12 MALE	BRASS	NICKEL
13	1	CENTRE SPACER	-	GREY
12	2	CONTACT 10 MALE 0.34-0.75	BRASS	GOLD OVER NICKEL
11	2	CONTACT 10 MALE 0.14-0.5	BRASS	GOLD OVER NICKEL
10	-	CHEMLOK	-	-
9	1	LABEL;B B-500 WMB	-	BLACK
8	1	LABEL;A B-500 WMA	-	BLACK
7	2	M12 MALE COUPLING NUT	BRASS	NICKEL
6	2	M12 INSERT 3P FEMALE	PUR	BLACK
5	2	GASKET	FPM	RED
4	6	CONTACT 10 FEMALE	BRASS	GOLD OVER NICKEL
3	-	MOULDING MATERIAL	PVC	BLACK
2	-	MOULDING MATERIAL	TPU	BLACK
1	-	CABLE 3X0.34mm <sup>2</sup>	TPU	BK
ITEM	QTY	DESCRIPTION	MATERIAL	FINISH/COLOR

## PART LIST

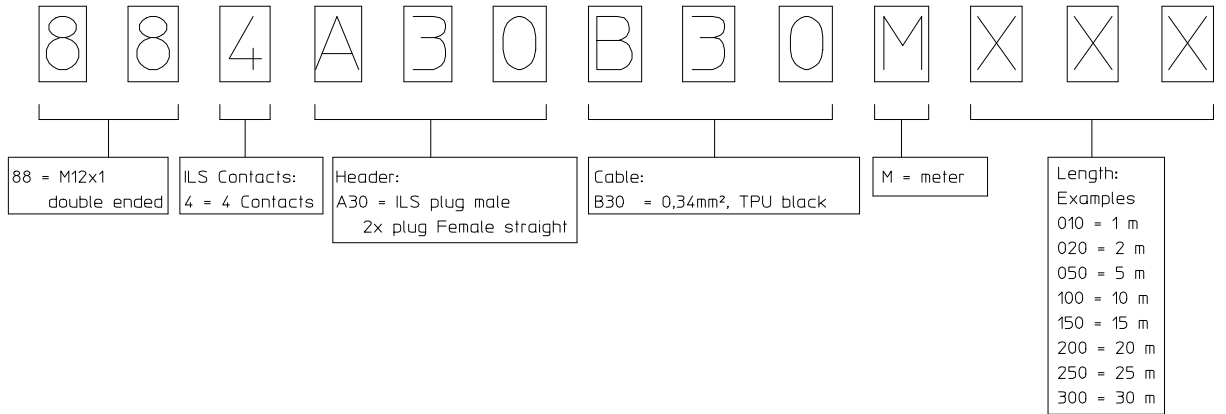
MOLEX PN	ENGINEERING No	L + TOL.
1200688193	884A30B30M006	600 +40/-0
1200688194	884A30B30M010	1000 +40/-0
1200688195	884A30B30M020	2000 +60/-0
1200688196	884A30B30M050	5000 +60/-0
1200688244	884A30B30M030	3000 +60/-0
1200688245	884A30B30M100	10000 +80/-0
1200688282	884A30B30M003	300 +40/-0

<b>SYMBOLS</b> DIMENSION UNITS: mm SCALE: 1:1 GENERAL TOLERANCES (UNLESS SPECIFIED) ANGULAR TOL: ± ° 4 PLACES: ± 3 PLACES: ± 2 PLACES: ± 0.05 1 PLACE: ± 0.3 0 PLACES: ± 0.5 DRAFT WHERE APPLICABLE MUST REMAIN WITHIN DIMENSIONS THIRD ANGLE PROJECTION DRAWING: A3-SIZE SERIES: 120068	THIS DRAWING CONTAINS INFORMATION THAT IS PROPRIETARY TO MOLEX ELECTRONIC TECHNOLOGIES, LLC AND SHOULD NOT BE USED WITHOUT WRITTEN PERMISSION CURRENT REV DESC: EC NO: 625150 DRWN: MCELEJEWSKI 2019/10/04 CHK'D: DSTACHOWIAK 2019/10/07 APPR: DSTACHOWIAK 2019/10/07		 ILS M12 M12 4P AC MA TPU 4P AC FE STR XM DE		
	INITIAL REVISION: DRWN: JMARSZALEK 2014/11/15 APPR: MIWASIECZKO 2015/06/03				
	DRAFT WHERE APPLICABLE MUST REMAIN WITHIN DIMENSIONS THIRD ANGLE PROJECTION DRAWING: A3-SIZE SERIES: 120068		MATERIAL NUMBER: SEE PART LIST/SHEET 2 CUSTOMER: GENERAL MARKET SHEET NUMBER: 2 OF 2		
	DOCUMENT STATUS: P1   RELEASE DATE: 2019/10/07 08:51:04				

PART LIST

MOLEX PN	ENGINEERING No.	CABLE LENGTH "L"
1200688193	884A30B30M006	0.6m
1200688194	884A30B30M010	1m
1200688195	884A30B30M020	2m
1200688196	884A30B30M050	5m
1200688244	884A30B30M030	3m
1200688245	884A30B30M100	10m

NUMERICAL CODE (Available parts see PART LIST table. Other parts available upon request).



CABLE SPECIFICATION

CABLE TYPE	WIRES NO.	WIRE GAUGE	CABLE JACKET	UL	CSA	Temp. range static Bending radius static	Temp. range dynamic Bending radius dynamic	Drag chain	Other information
B30	3	0.34mm <sup>2</sup>	TPU Based Black	STYLE 21215	Yes	-40°C to +90°C 5xD	-25°C to +80°C 7.5xD	5 million cycles, at 25°C	Weld Slag Resistance

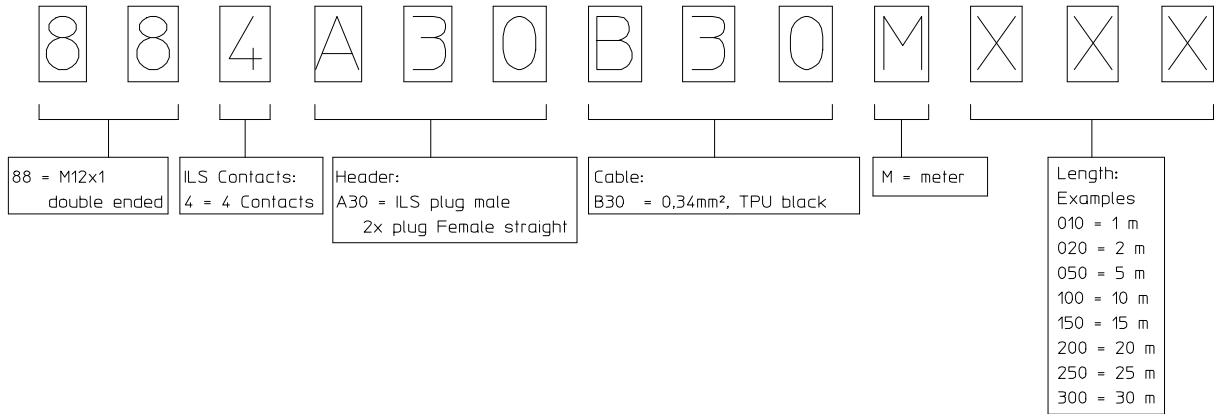
For Raw Cable Specification see SD-120209-001

Added new PNs EC NO: IPG2017-0591 DRWN: JMARSZALEK 2016/12/14 CHKD: FGAIK 2016/12/14 APPR: RSILLER 2016/12/15	DESCRIPTION REV	QUALITY SYMBOLS	GENERAL TOLERANCES (UNLESS SPECIFIED)	DIMENSION STYLE MM ONLY	SCALE -	DESIGN UNITS METRIC	THIRD ANGLE PROJECTION	
		▽=0 ◻=0	mm INCH 4 PLACES ± --- ± --- 3 PLACES ± --- ± --- 2 PLACES ± 0.05 ± --- 1 PLACE ± 0.3 ± --- 0 PLACE ± 0.5 ± ---	DRAWN BY DATE JMARSZALEK 2014/11/15 CHECKED BY DATE FGAIK 2014/11/15 APPROVED BY DATE MIWASIECZKO 2015/06/03	TITLE	ILS M12 M12 4P AC MA TPU 4P AC FE STR XM DE		
		ANGULAR ± --- ° DRAFT WHERE APPLICABLE MUST REMAIN WITHIN DIMENSIONS	SEE PART LIST	MATERIAL NO.	DOCUMENT NO.	SHEET NO. 2 OF 2		
		B1	THIS DRAWING CONTAINS INFORMATION THAT IS PROPRIETARY TO MOLEX INCORPORATED AND SHOULD NOT BE USED WITHOUT WRITTEN PERMISSION	molex SD-120068-002				

PART LIST

MOLEX PN	ENGINEERING No.	CABLE LENGTH "L"
1200688193	884A30B30M006	0.6m
1200688194	884A30B30M010	1m
1200688195	884A30B30M020	2m
1200688196	884A30B30M050	5m
1200688244	884A30B30M030	3m
1200688245	884A30B30M100	10m

NUMERICAL CODE (Available parts see PART LIST table. Other parts available upon request).



CABLE SPECIFICATION

CABLE TYPE	WIRES NO.	WIRE GAUGE	CABLE JACKET	UL	CSA	Temp. range static Bending radius static	Temp. range dynamic Bending radius dynamic	Drag chain	Other information
B30	3	0.34mm <sup>2</sup>	TPU Based Black	STYLE 21215	Yes	-40°C to +90°C 5xD	-25°C to +80°C 7.5xD	5 million cycles, at 25°C	Weld Slag Resistance

For Raw Cable Specification see SD-120209-001

Added new PNs EC NO: IPG2017-0591 DRWN: JMARSZALEK 2016/12/14 CHKD: FGAIK 2016/12/14 APPR: RSILLER 2016/12/15	QUALITY SYMBOLS	GENERAL TOLERANCES (UNLESS SPECIFIED)	DIMENSION STYLE <b>MM ONLY</b>	SCALE -	DESIGN UNITS METRIC	THIRD ANGLE PROJECTION
	▽=0 ∇=0	4 PLACES ± --- ± --- 3 PLACES ± --- ± --- 2 PLACES ± 0.05 ± --- 1 PLACE ± 0.3 ± --- 0 PLACE ± 0.5 ± ---	mm INCH	DRAWN BY JMARSZALEK	DATE 2014/11/15	TITLE ILS M12 M12 4P AC MA TPU 4P AC FE STR XM DE
		ANGULAR ± --- °		CHECKED BY FGAIK	DATE 2014/11/15	<b>molex</b>
		DRAFT WHERE APPLICABLE MUST REMAIN WITHIN DIMENSIONS		APPROVED BY MIWASIECZKO	DATE 2015/06/03	
	B1			MATERIAL NO. <b>SEE PART LIST</b>	DOCUMENT NO. SD-120068-002	SHEET NO. 2 OF 2