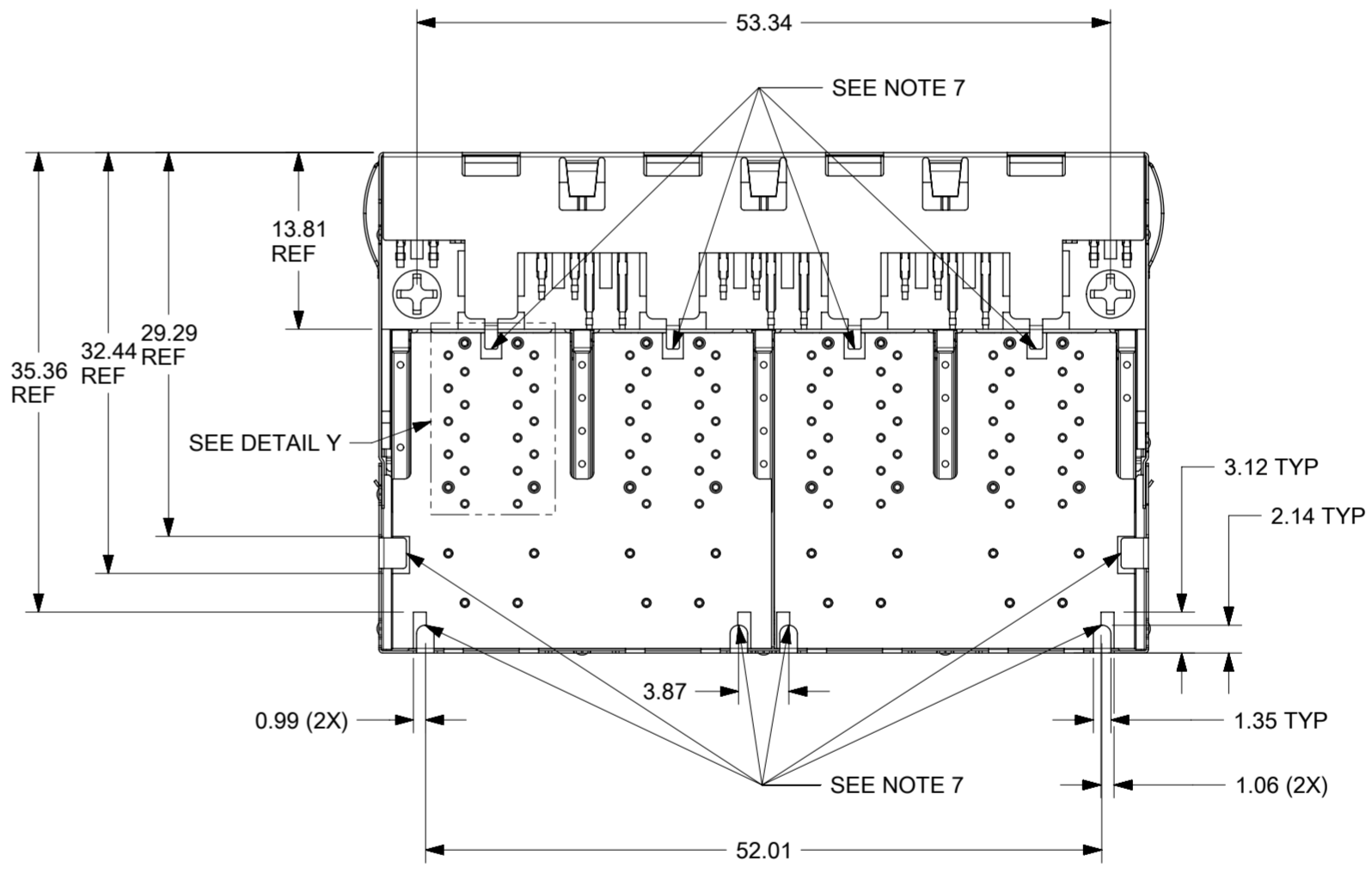
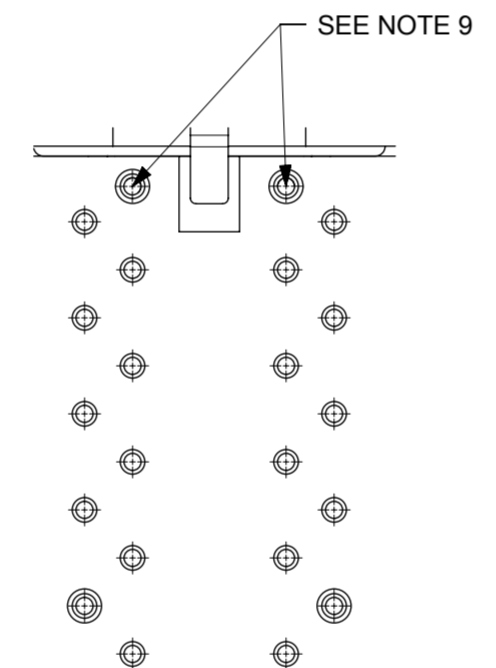
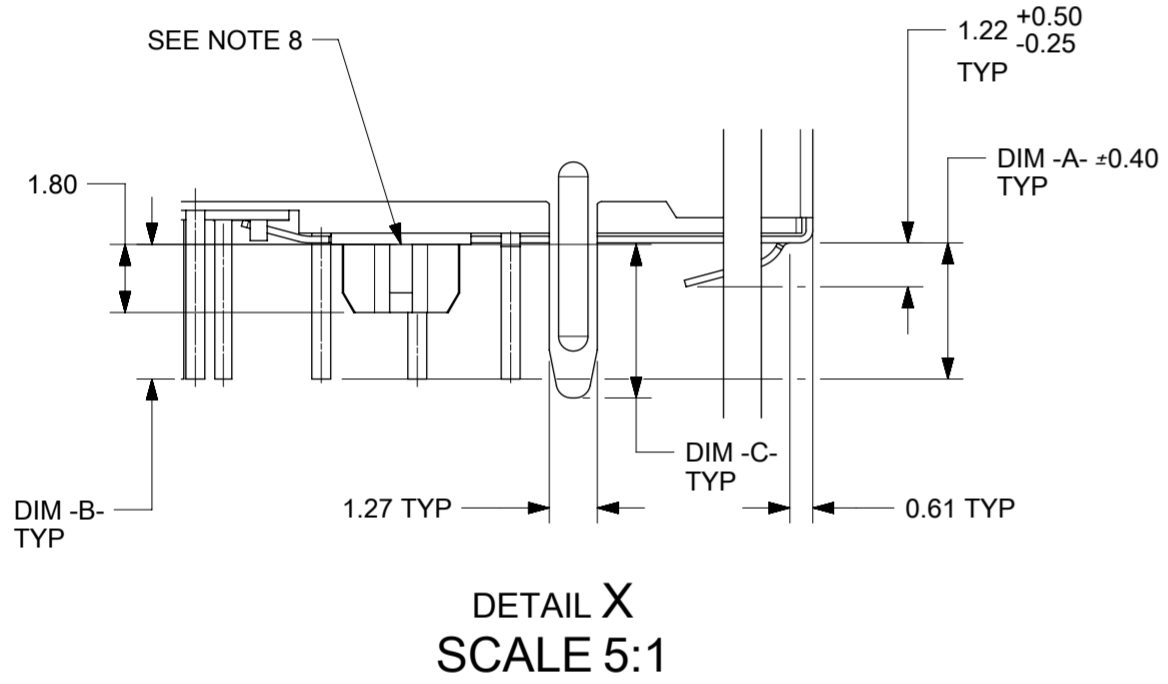
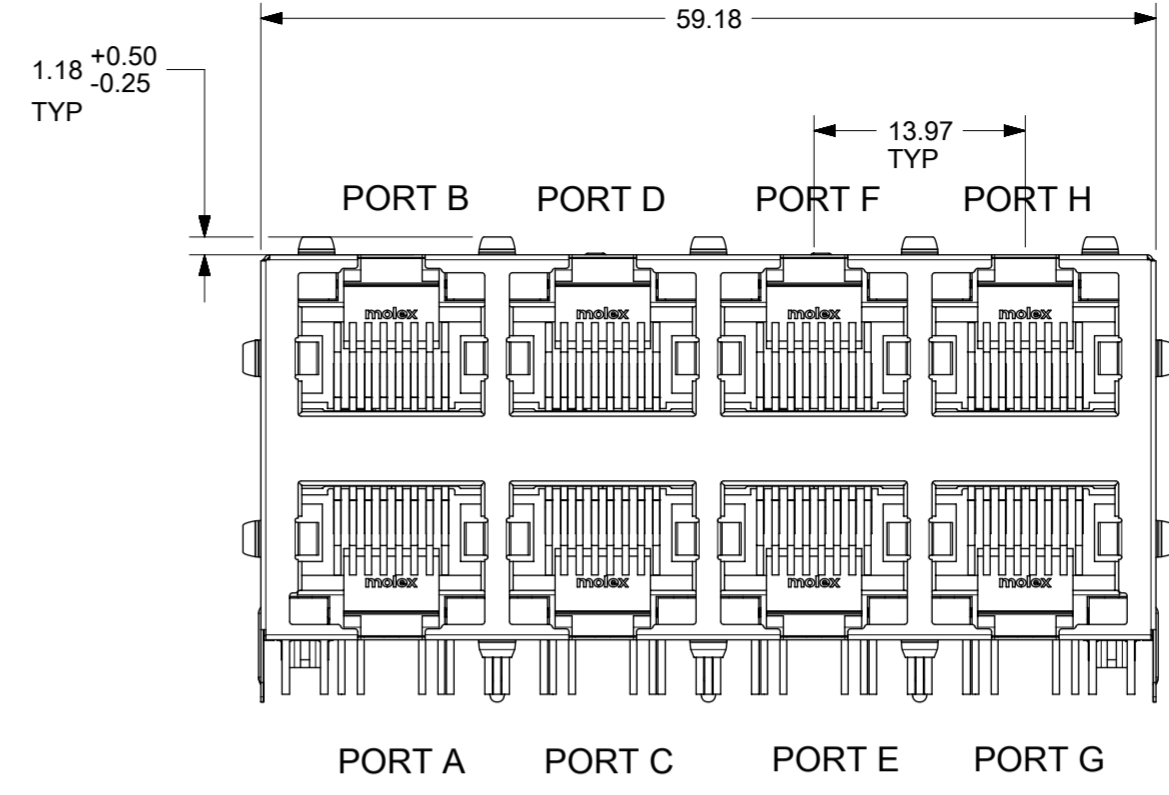
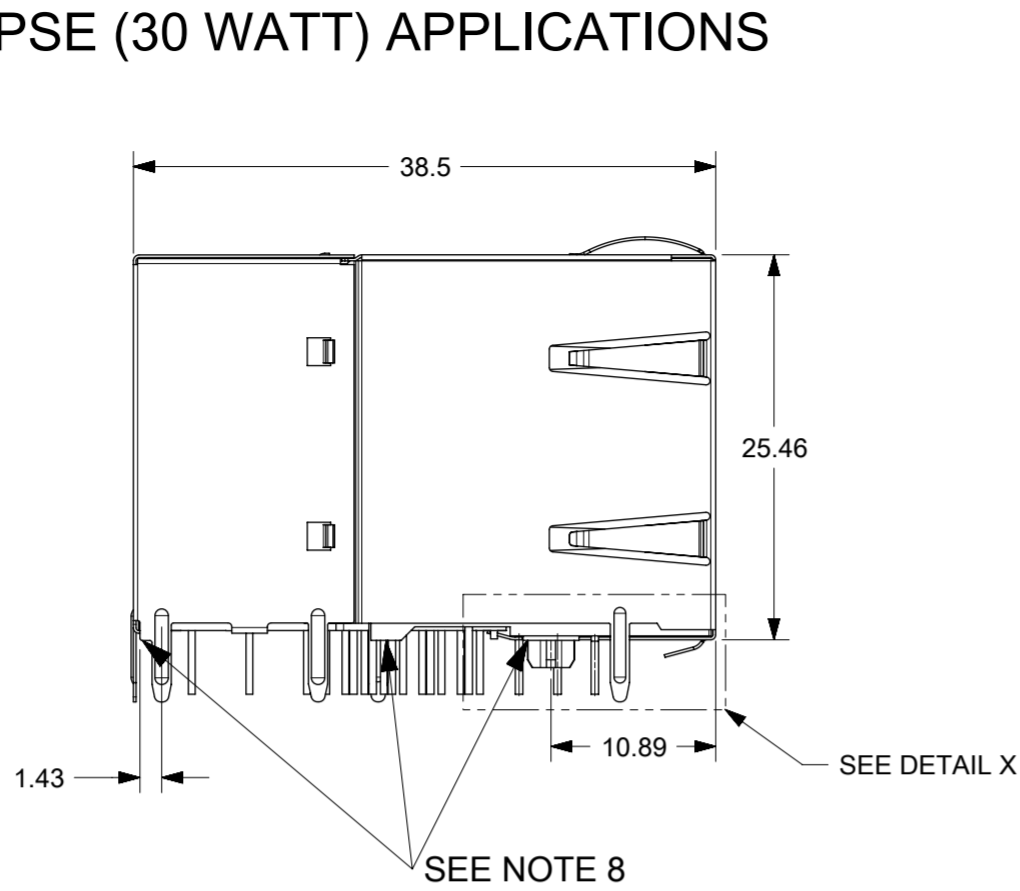


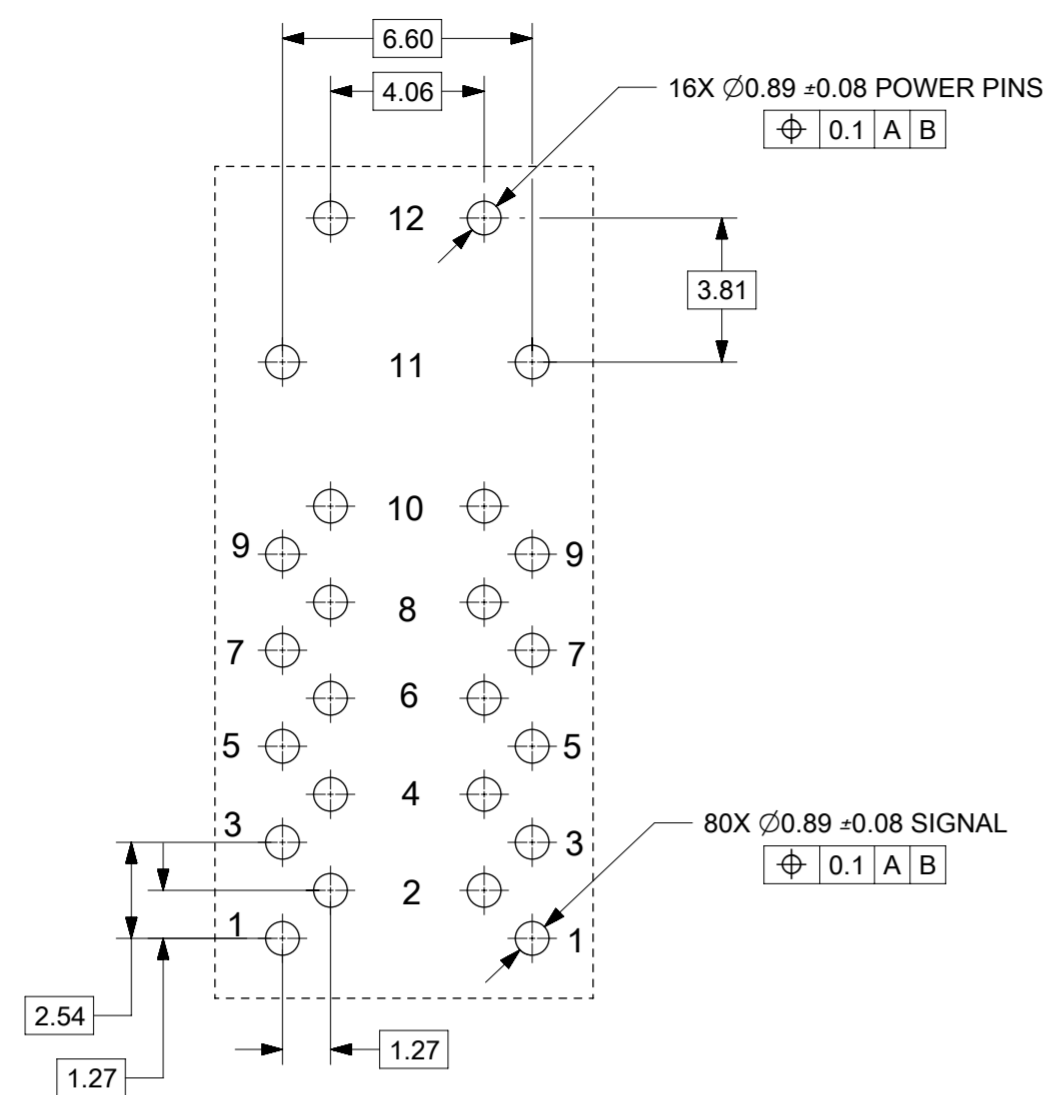
**GIGABIT 8 PORT MAGNETIC JACK WITH LED's  
AND INTEGRATED POWER OVER ETHERNET TRANSFORMERS  
ACCORDING TO IEEE Std802.3-2012 FOR PSE (30 WATT) APPLICATIONS**



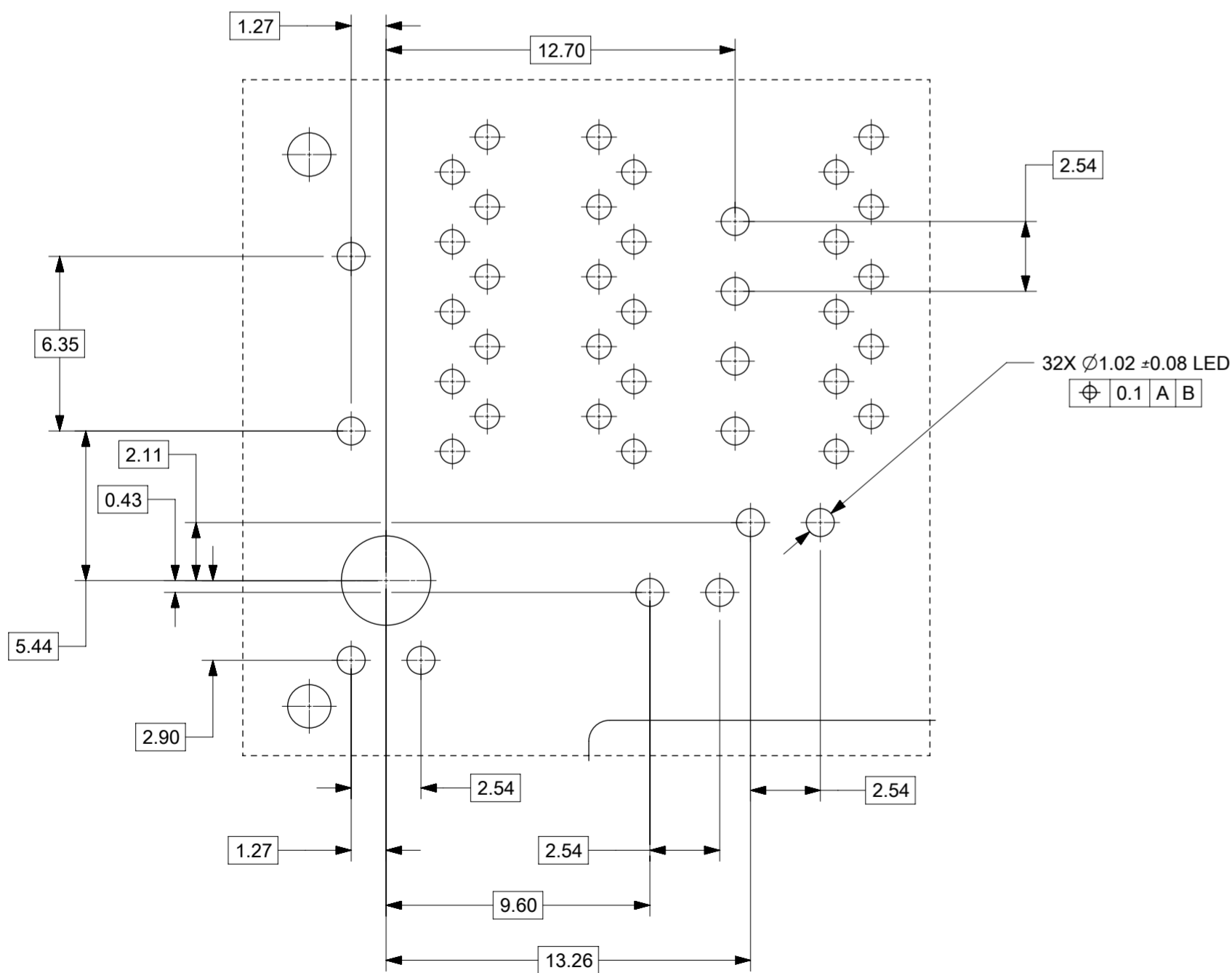
- NOTES:**
- 1 - SHIELD MATERIAL: BRASS; PLATING: NICKEL PRE-PLATING
  - 2 - PLASTIC MATERIAL: POLYESTER (PBT) BLACK, 30%GR, UL 94V-0
  - 3 - RJ45 TERMINALS MATERIAL: COPPER ALLOY  
CONTACT PLATING: 0.76 MICROMETER GOLD OVER 1.9 MICROMETER NICKEL  
PHY TERMINALS: TIN PLATED
  - 4 - MATING INTERFACE ACCORDING TO IEC 60603-7
  - 5 - PRODUCT SPECIFICATION: PS-85732-001
  - 6 - PACKAGING SPECIFICATION: PK-85735-001
  - 7 - SYSTEM BOARD TRACES WITHOUT INSULATION NOT ALLOWED IN THE SOLDERED AREA (SHILED SOLDERED WITH PCB PAD) TO AVOID SHORTS TO SHIELD
  - 8 - STAND OFF TO SYSTEM BOARD
  - 9 - STUBBED PINS -> AVOID TO ROUTE TRACES OR TO PLACE ANY VIAS OR PADS BELOW THESE PINS ON SYSTEM BOARD
  - 10 - FOR MAGNETICS AND LED INFORMATION SEE SPEC PS-85732-001

REVISION CHART	
REV	CHANGE CONTENT
C2	85735-1102 G/Y LED SHORTEN SHIELD PIN LENGTH

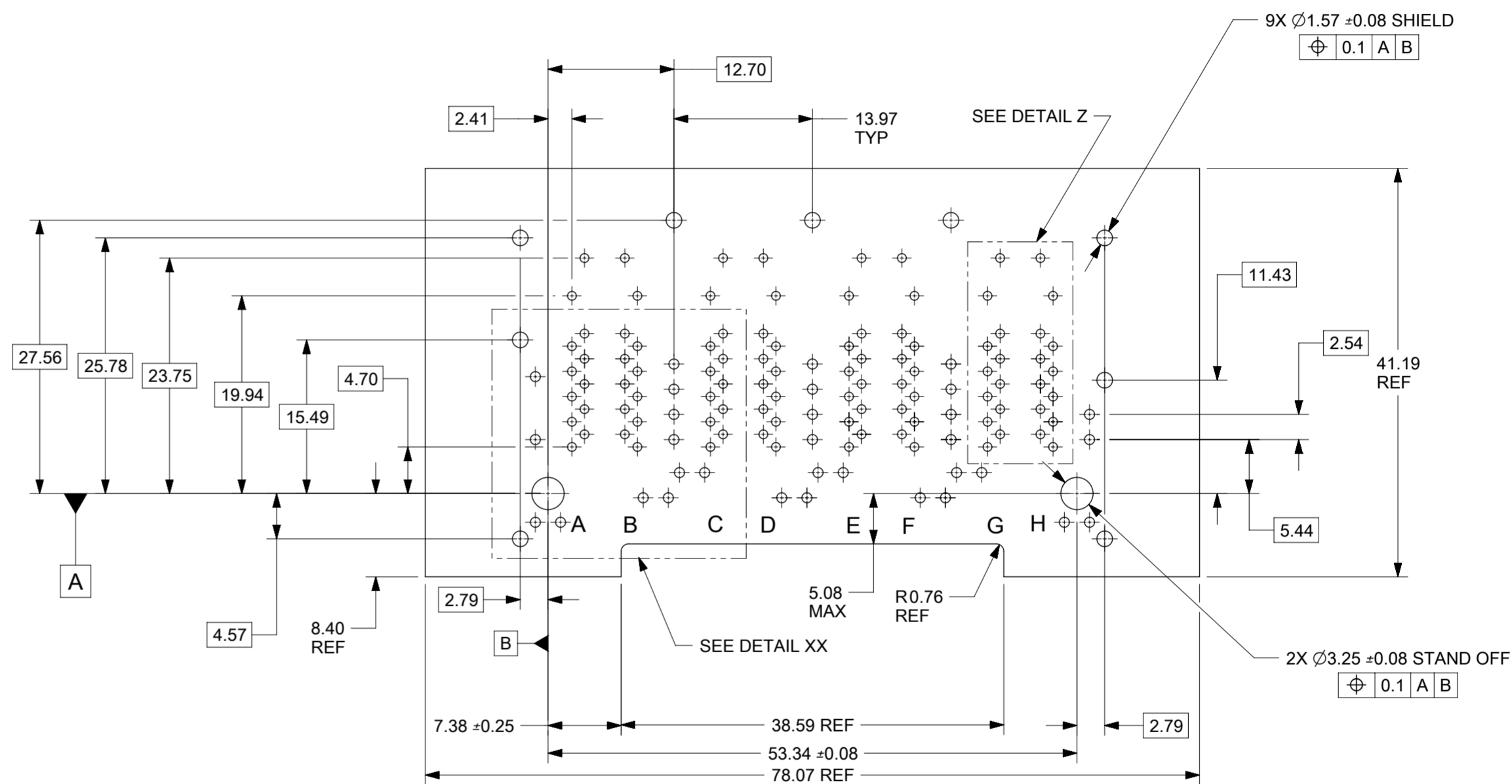
<b>SYMBOLS</b> ∇ = 0 ∇ = 0 ∇ = 0 ∇ = 0 ∇ = 0 ∇ = 0 ∇ = 0 ∇ = 0 ▽ = 0 □ = 0 ■ = 0 ▽ = 0	THIS DRAWING CONTAINS INFORMATION THAT IS PROPRIETARY TO MOLEX ELECTRONIC TECHNOLOGIES, LLC AND SHOULD NOT BE USED WITHOUT WRITTEN PERMISSION DIMENSION UNITS: <b>mm</b> SCALE: <b>2:1</b>	CURRENT REV DESC: SEE REV CHART EC NO: 623893 DRWN: GWU15 2019/09/11 CHK'D: KLANG 2019/09/12 APPR: KLANG 2019/09/12				
	GENERAL TOLERANCES (UNLESS SPECIFIED) ANGULAR TOL ± 0.5° 4 PLACES ± 3 PLACES ± 2 PLACES ± 0.25 1 PLACE ± 0.5 0 PLACES ±	INITIAL REVISION: DRWN: MMANGARUDOV 2011/12/14 APPR: SSTEINKE 2012/12/07			GIGABIT MAGNETIC JACK POE PLUS ENABLED 2X4 LED	
	DRAFT WHERE APPLICABLE MUST REMAIN WITHIN DIMENSIONS THIRD ANGLE PROJECTION DRAWING: <b>A2-SIZE</b> SERIES: <b>85735</b>			<b>PRODUCT CUSTOMER DRAWING</b> DOCUMENT NUMBER: <b>SD-85735-101</b> DOC TYPE: PSD   DOC PART: 001   REVISION: C2		
				MATERIAL NUMBER: SEE PN TABLE   CUSTOMER: GENERAL MARKET   SHEET NUMBER: 1 OF 4		



DETAIL Z  
SCALE 5:1



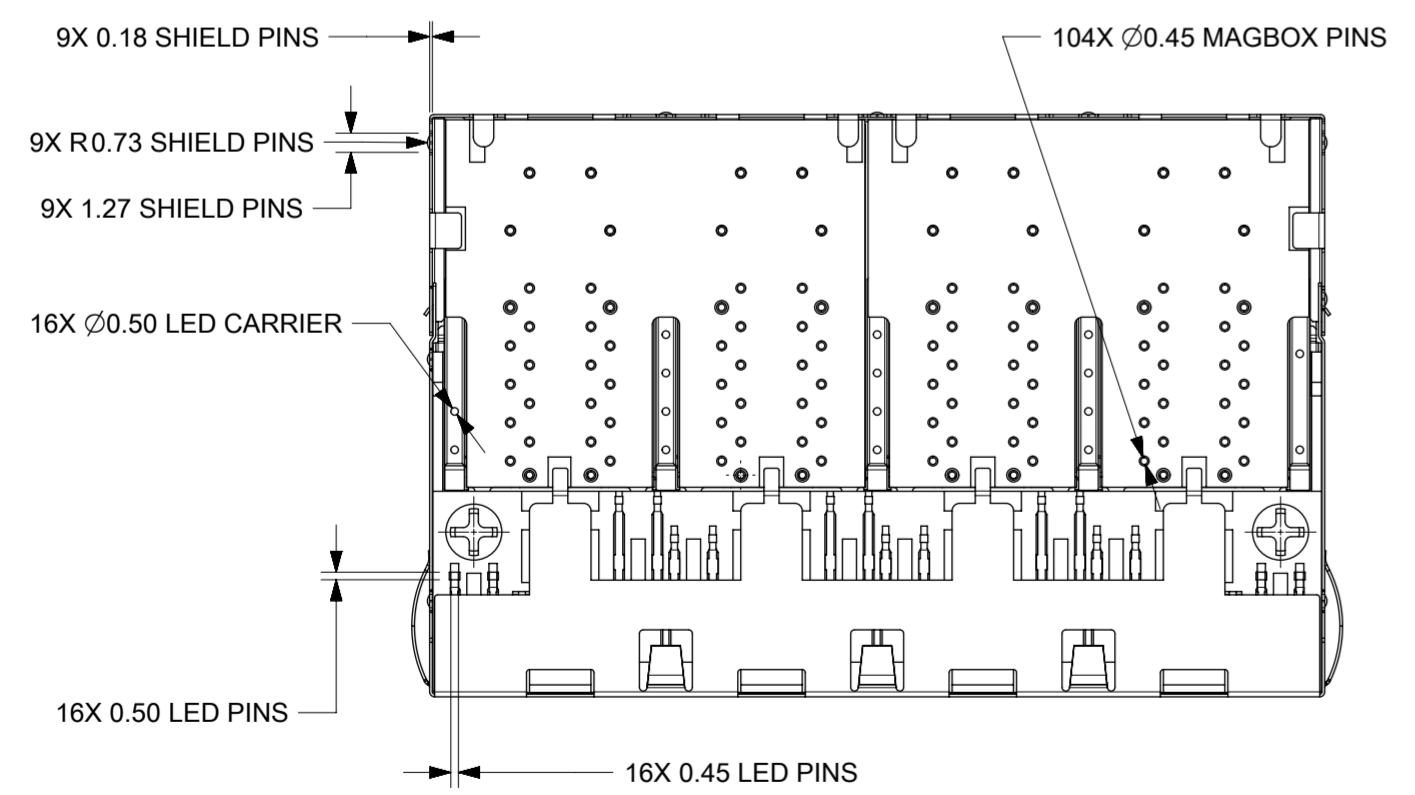
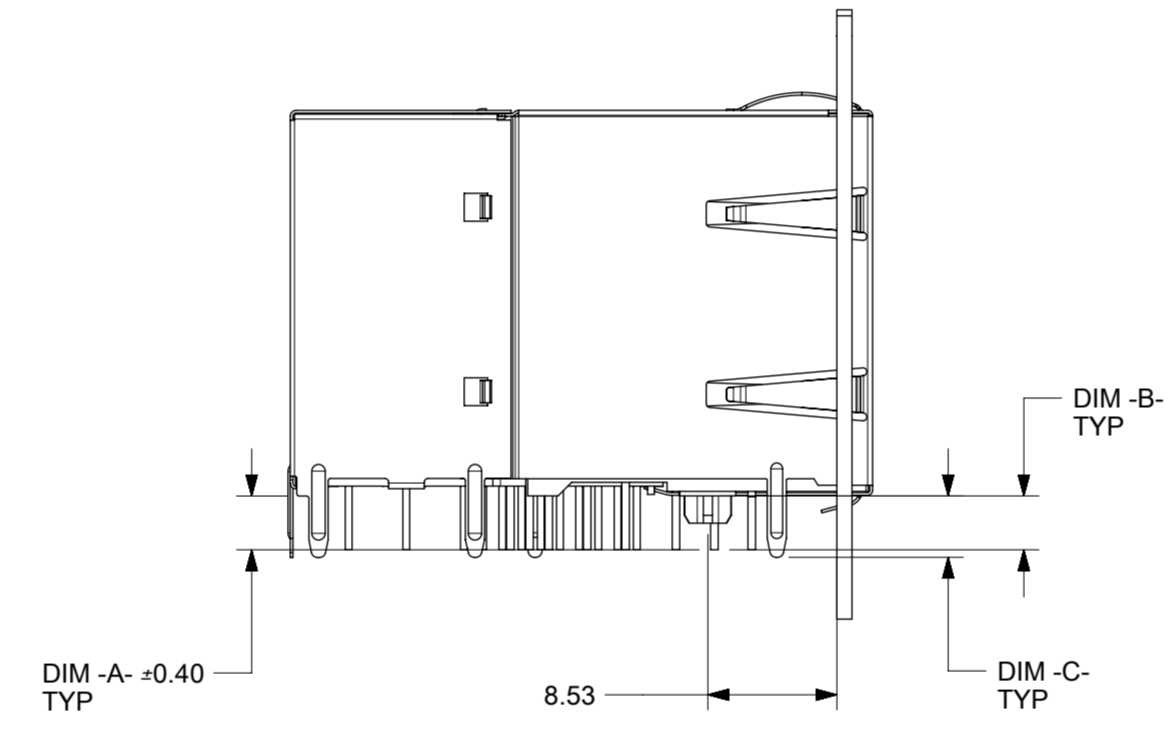
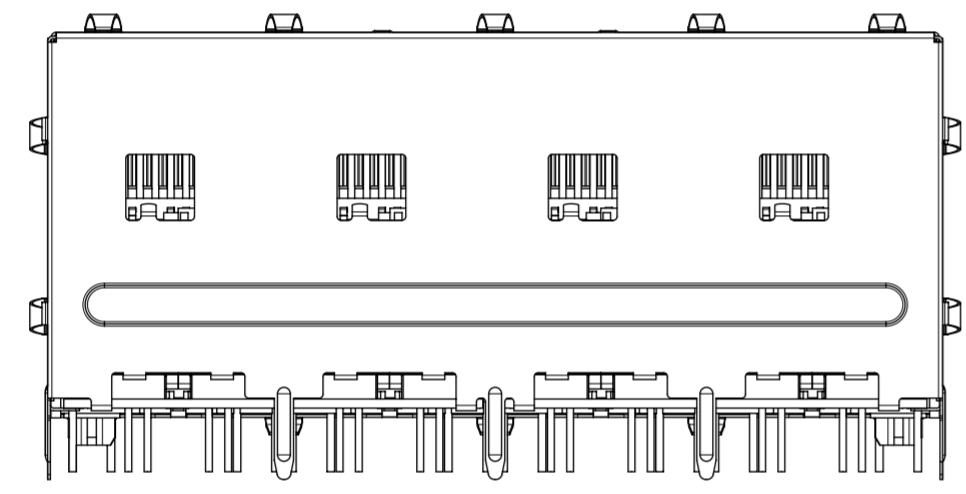
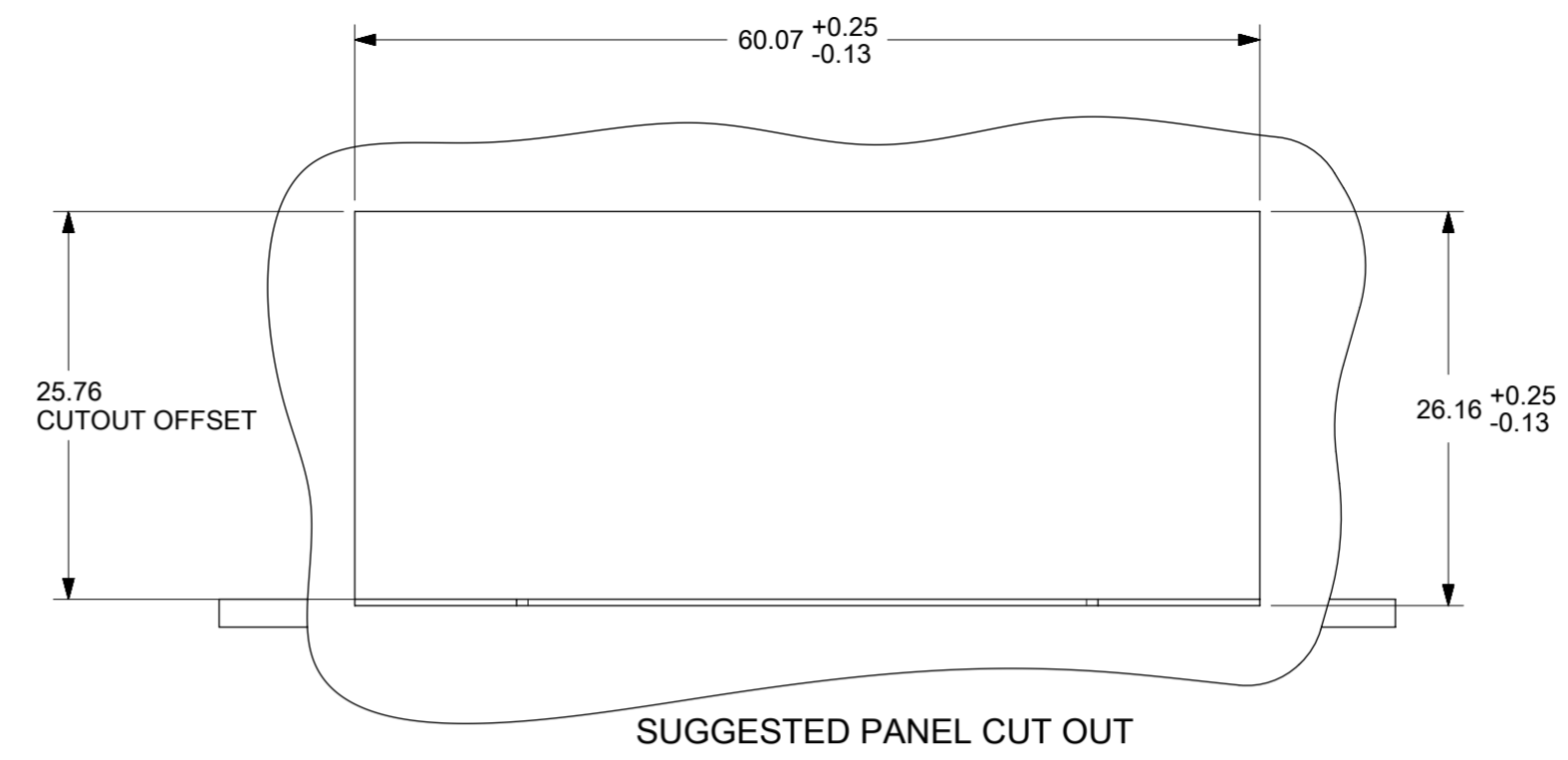
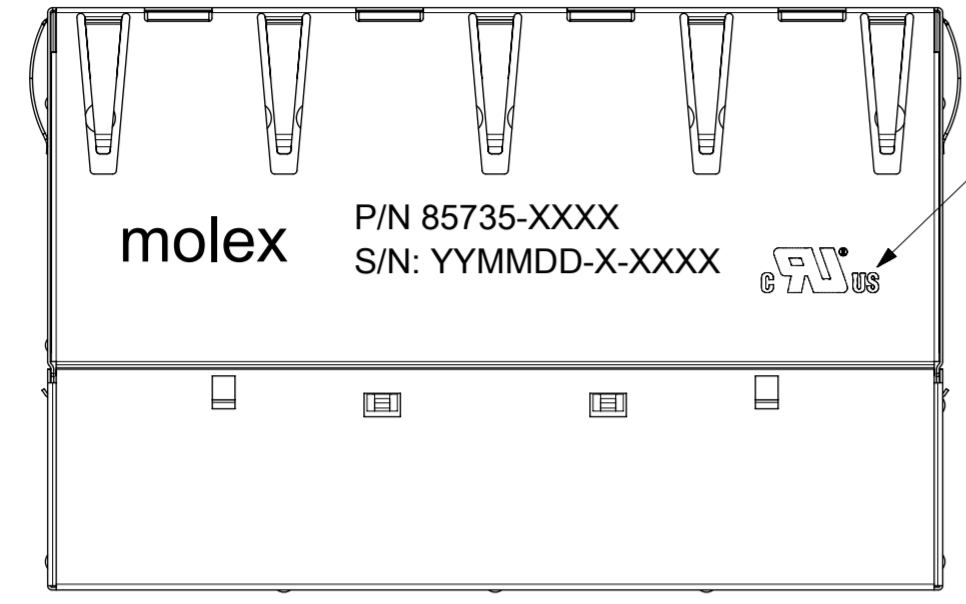
DETAIL XX  
SCALE 5:1



PCB LAYOUT: COMPONENT SIDE

SYMBOLS	THIS DRAWING CONTAINS INFORMATION THAT IS PROPRIETARY TO MOLEX ELECTRONIC TECHNOLOGIES, LLC AND SHOULD NOT BE USED WITHOUT WRITTEN PERMISSION		
	DIMENSION UNITS	SCALE	CURRENT REV DESC: SEE REV CHART
▽ = 0	mm	2:1	<b>molex</b> GIGABIT MAGNETIC JACK POE PLUS ENABLED 2X4 LED
▽ = 0	GENERAL TOLERANCES (UNLESS SPECIFIED)		
▽ = 0	ANGULAR TOL ± 0.5°		EC NO: 623893 DRWN: GWU15 2019/09/11 CHK'D: KLANG 2019/09/12 APPR: KLANG 2019/09/12
▽ = 0	4 PLACES ±		
▽ = 0	3 PLACES ±		INITIAL REVISION: DRWN: MMANGARUDOV 2011/12/14 APPR: SSTEINKE 2012/12/07
▽ = 0	2 PLACES ± 0.25		
▽ = 0	1 PLACE ± 0.5		PRODUCT CUSTOMER DRAWING DOCUMENT NUMBER: SD-85735-101 DOC TYPE: PSD DOC PART: 001 REVISION: C2
▽ = 0	0 PLACES ±		
▽ = 0	DRAFT WHERE APPLICABLE MUST REMAIN WITHIN DIMENSIONS	THIRD ANGLE PROJECTION	MATERIAL NUMBER: SEE PN TABLE CUSTOMER: GENERAL MARKET SHEET NUMBER: 2 OF 4
▽ = 0		DRAWING: A2-SIZE	
		SERIES: 85735	

PRINTING  
LED VERSION  
P/N: 85735-XXXX  
S/N: YYMMDD-CM-CONSECUTIVE NUMBER



PART NUMBER	UPPER & LOWER LED LEFT		UPPER & LOWER LED RIGHT		DIM-A-SIGNAL PINS	DIM-B-LED PINS	DIM-C-SHIELD PINS
857351001	COLOUR 1	GREEN	COLOUR 1	GREEN	3,56mm	3,56mm	4.06mm
	COLOUR 2	-	COLOUR 2	-			
857351101	COLOUR 1	GREEN	COLOUR 1	GREEN	2.40mm	2.40mm	2.40mm
	COLOUR 2	-	COLOUR 2	-			
857351102	COLOUR 1	GREEN	COLOUR 1	YELLOW	2.40mm	2.40mm	2.40mm
	COLOUR 2	-	COLOUR 2	-			
857351002	COLOUR 1	GREEN	COLOUR 1	ORANGE	3,56mm	3,56mm	4.06mm
	COLOUR 2	-	COLOUR 2	-			
857351003	COLOUR 1	GREEN	COLOUR 1	GREEN	3,56mm	3,56mm	4.06mm
	COLOUR 2	ORANGE	COLOUR 2	-			
857351004	COLOUR 1	GREEN	COLOUR 1	GREEN	3,56mm	3,56mm	4.06mm
	COLOUR 2	ORANGE	COLOUR 2	ORANGE			
857351006	COLOUR 1	GREEN	COLOUR 1	YELLOW	3,56mm	3,56mm	4.06mm
	COLOUR 2	-	COLOUR 2	-			
857351007	COLOUR 1	GREEN	COLOUR 1	GREEN	3,56mm	3,56mm	4.06mm
	COLOUR 2	YELLOW	COLOUR 2	-			
857351008	COLOUR 1	GREEN	COLOUR 1	GREEN	3,56mm	3,56mm	4.06mm
	COLOUR 2	YELLOW	COLOUR 2	YELLOW			
857351012	COLOUR 1	YELLOW	COLOUR 1	GREEN	3,56mm	3,56mm	4.06mm
	COLOUR 2	GREEN	COLOUR 2	-			
857351013	COLOUR 1	YELLOW	COLOUR 1	YELLOW	3,56mm	3,56mm	4.06mm
	COLOUR 2	GREEN	COLOUR 2	GREEN			
857351014	COLOUR 1	YELLOW	COLOUR 1	GREEN	3,56mm	3,56mm	4.06mm
	COLOUR 2	-	COLOUR 2	-			

857353001	COLOUR 1	GREEN	COLOUR 1	GREEN	2,2mm	3,56mm	4.06mm
	COLOUR 2	-	COLOUR 2	-			

ADDITIONAL LED COLOURS AND CONFIGURATIONS ARE AVAILABLE ON REQUEST

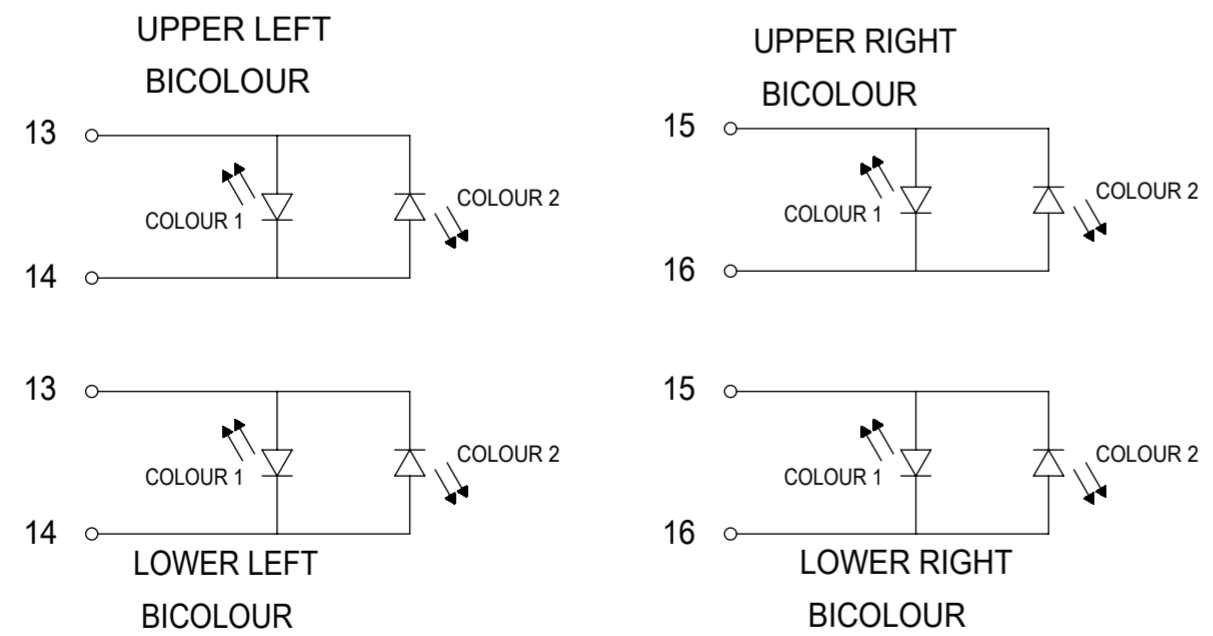
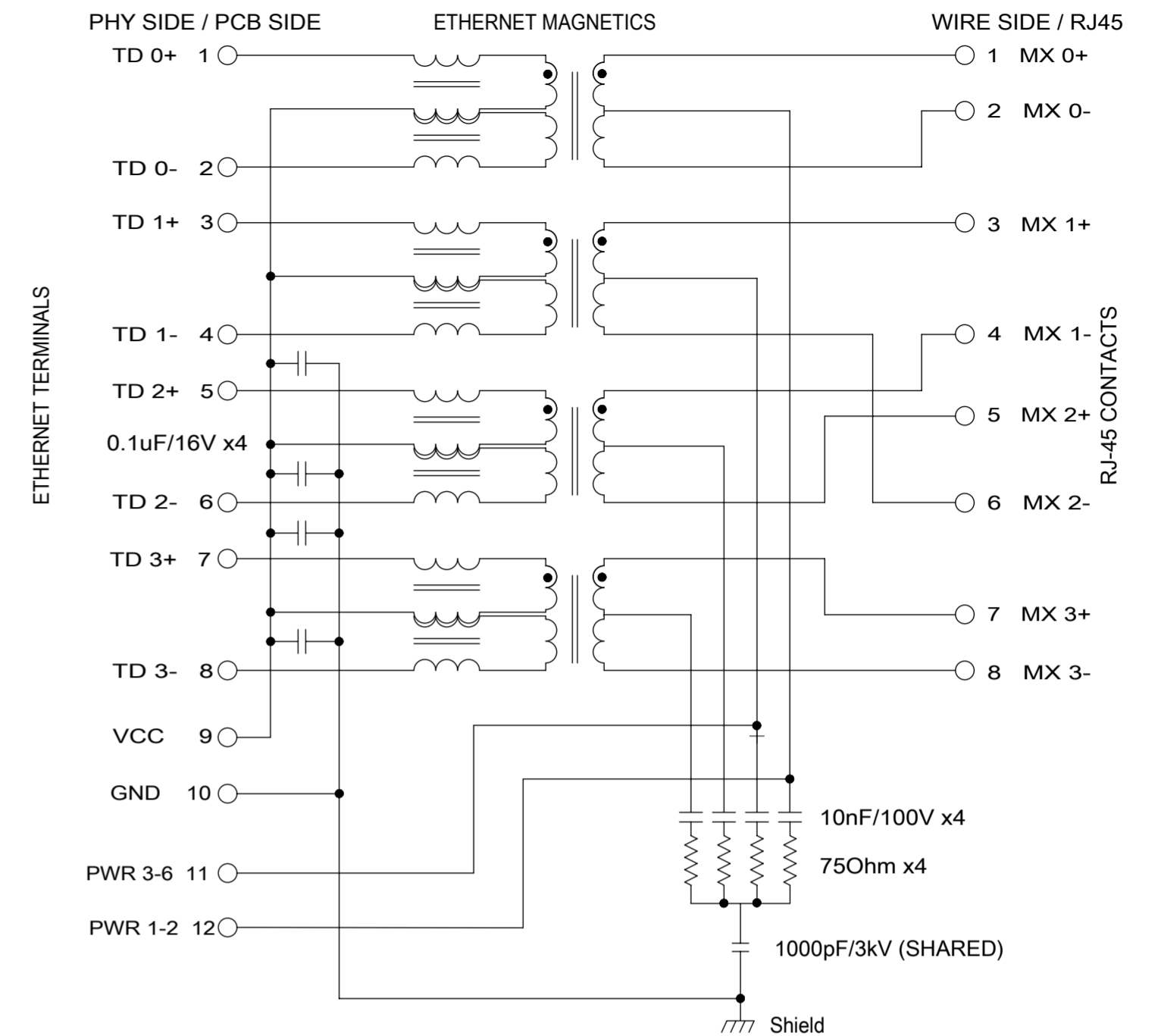
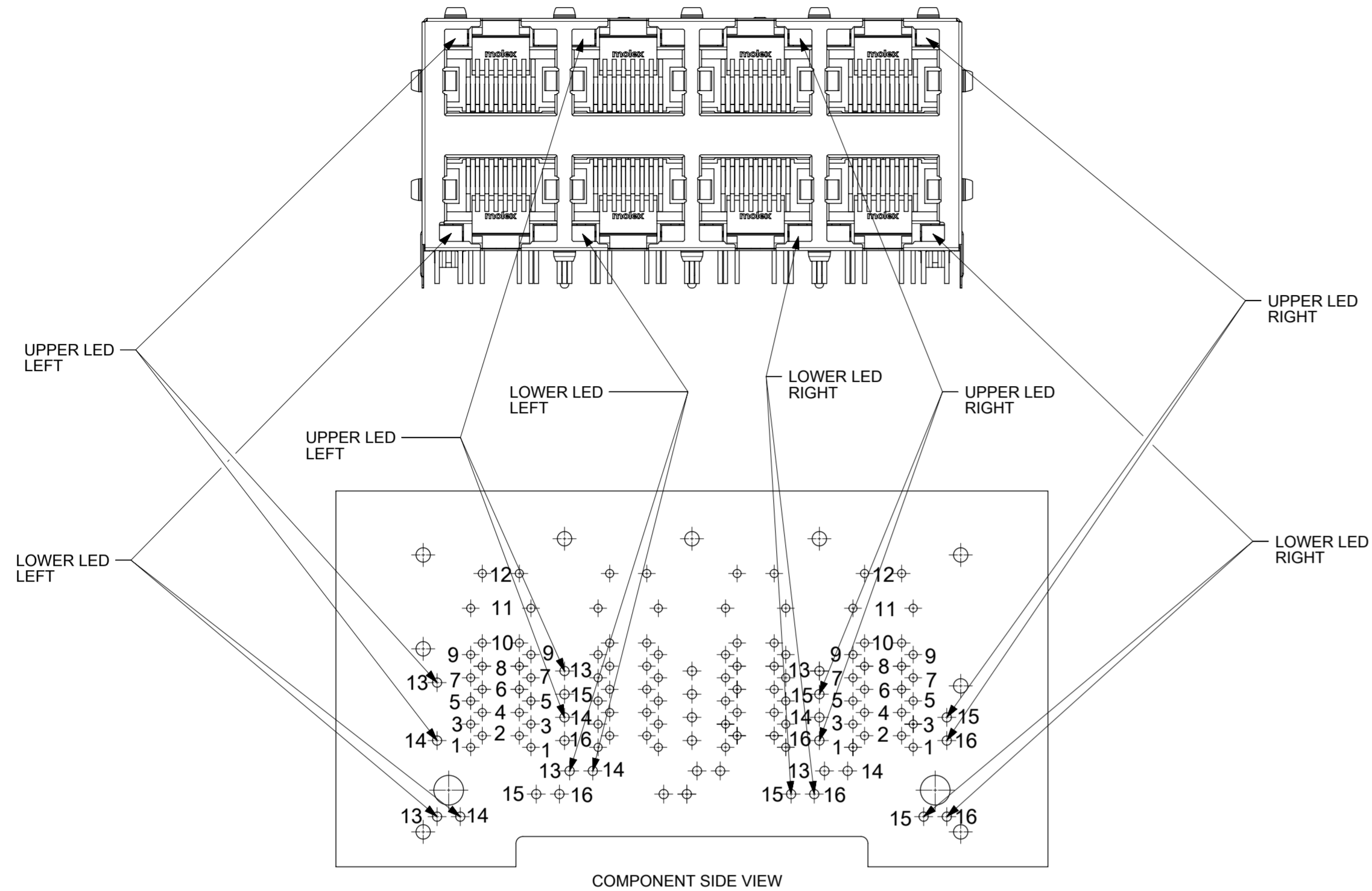
NOTES:  
1 - PRINTING MARKED BY LASER  
2 - INSCRIPTION:  
1st LINE: PART NUMBER  
2nd LINE: DATE CODE (YEAR, MONTH, DAY) - MANUFACTURER ID - CONSECUTIVE NUMBER  
3 - UL LOGO

SYMBOLS	THIS DRAWING CONTAINS INFORMATION THAT IS PROPRIETARY TO MOLEX ELECTRONIC TECHNOLOGIES, LLC AND SHOULD NOT BE USED WITHOUT WRITTEN PERMISSION		
	DIMENSION UNITS	SCALE	CURRENT REV DESC: SEE REV CHART
▽ = 0	mm	2:1	EC NO: 623893 DRWN: GWU15 2019/09/11 CHK'D: KLANG 2019/09/12 APPR: KLANG 2019/09/12
▽ = 0	GENERAL TOLERANCES (UNLESS SPECIFIED)		
▽ = 0	ANGULAR TOL ± 0.5°		INITIAL REVISION: DRWN: MMANGARUDOV 2011/12/14 APPR: SSTEINKE 2012/12/07
▽ = 0	4 PLACES ±		
▽ = 0	3 PLACES ±		DOCUMENT NUMBER <b>SD-85735-101</b> DOC TYPE PSD DOC PART 001 REVISION <b>C2</b>
▽ = 0	2 PLACES ±	0.25	
▽ = 0	1 PLACE ±	0.5	MATERIAL NUMBER SEE PN TABLE CUSTOMER GENERAL MARKET SHEET NUMBER 3 OF 4
▽ = 0	0 PLACES ±		
▽ = 0	DRAFT WHERE APPLICABLE MUST REMAIN WITHIN DIMENSIONS	THIRD ANGLE PROJECTION	DRAWING A2-SIZE
▽ = 0		SERIES 85735	

**molex**

GIGABIT MAGNETIC JACK  
POE PLUS ENABLED 2X4 LED

PRODUCT CUSTOMER DRAWING



UPPER PIN POSITION	LOWER PIN POSITION	LEFT LED COLOUR 1	LEFT LED COLOUR 2
13	13	+	-
14	14	-	+

UPPER PIN POSITION	LOWER PIN POSITION	RIGHT LED COLOUR 1	RIGHT LED COLOUR 2
15	15	+	-
16	16	-	+

PIN	ETHERNET MAGNETICS
1	TD 0+
2	TD 0-
3	TD 1+
4	TD 1-
5	TD 2+
6	TD 2-
7	TD 3+
8	TD 3-
9	Vcc
10	GND
11	PWR 3-6
12	PWR 1-2

	MDI-X	MDI
PIN 11	Vc +	Vc -
PIN 12	Vc -	Vc +

POWER-SUPPLY POLARITY DEFINITION TO ACHIEVE PoE POWER ASSIGNMENT ACCORDING IEEE Std802.3-2012 ALTERNATIVE A:

SYMBOLS	THIS DRAWING CONTAINS INFORMATION THAT IS PROPRIETARY TO MOLEX ELECTRONIC TECHNOLOGIES, LLC AND SHOULD NOT BE USED WITHOUT WRITTEN PERMISSION	
	DIMENSION UNITS	SCALE
▽ = 0	mm	2:1
▽ = 0	GENERAL TOLERANCES (UNLESS SPECIFIED)	
▽ = 0	ANGULAR TOL ± 0.5°	
▽ = 0	4 PLACES ±	EC NO: 623893
▽ = 0	3 PLACES ±	DRWN: GWU15 2019/09/11
▽ = 0	2 PLACES ± 0.25	CHK'D: KLANG 2019/09/12
▽ = 0	1 PLACE ± 0.5	APPR: KLANG 2019/09/12
▽ = 0	0 PLACES ±	INITIAL REVISION:
▽ = 0	DRAFT WHERE APPLICABLE MUST REMAIN WITHIN DIMENSIONS	DRWN: MMANGARUDOV 2011/12/14
▽ = 0	THIRD ANGLE PROJECTION	APPR: SSTEINKE 2012/12/07
		DRAWING
		SERIES
		MATERIAL NUMBER
		CUSTOMER
		SHEET NUMBER
		A2-SIZE
		85735
		SEE PN TABLE
		GENERAL MARKET
		4 OF 4

**molex**

GIGABIT MAGNETIC JACK  
POE PLUS ENABLED 2X4 LED

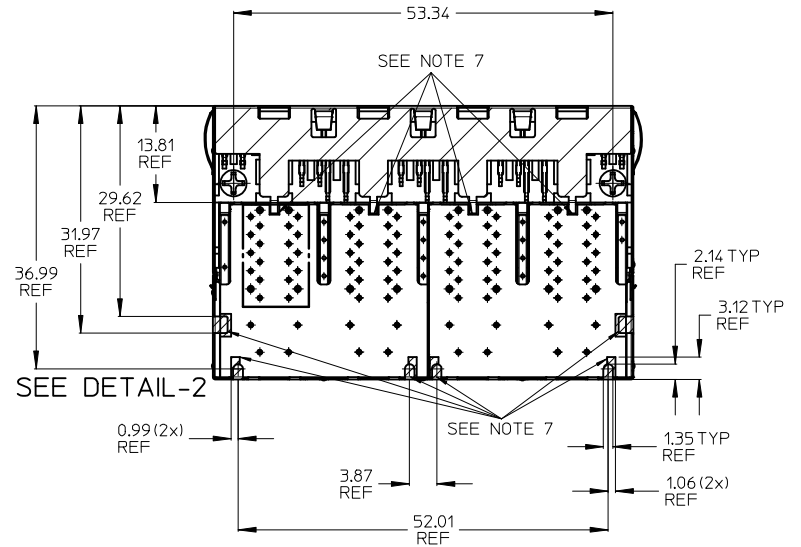
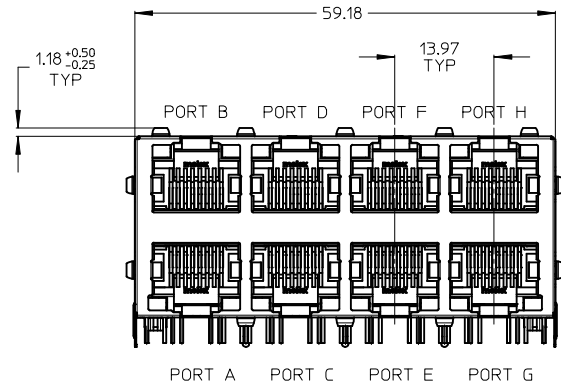
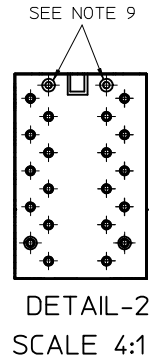
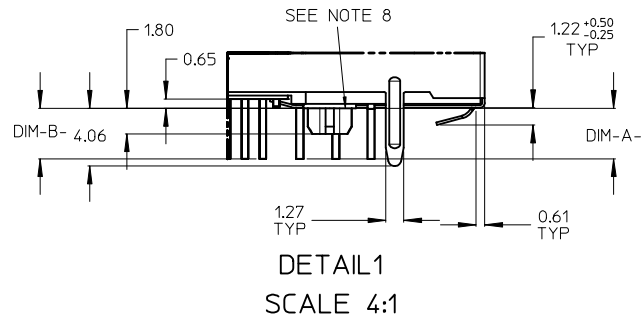
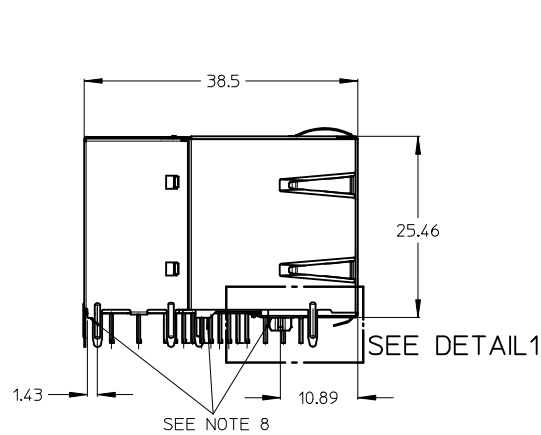
PRODUCT CUSTOMER DRAWING

DOCUMENT NUMBER	DOC TYPE	DOC PART	REVISION
SD-85735-101	PSD	001	C2

**GIGABIT 8 PORT MAGNETIC JACK WITH LED'S  
AND INTEGRATED POWER OVER ETHERNET TRANSFORMERS  
WITHOUT POWER LINE CHOKE  
ACCORDING TO IEEE Std802.3-2012 FOR PSE (30 WATT) APPLICATIONS**

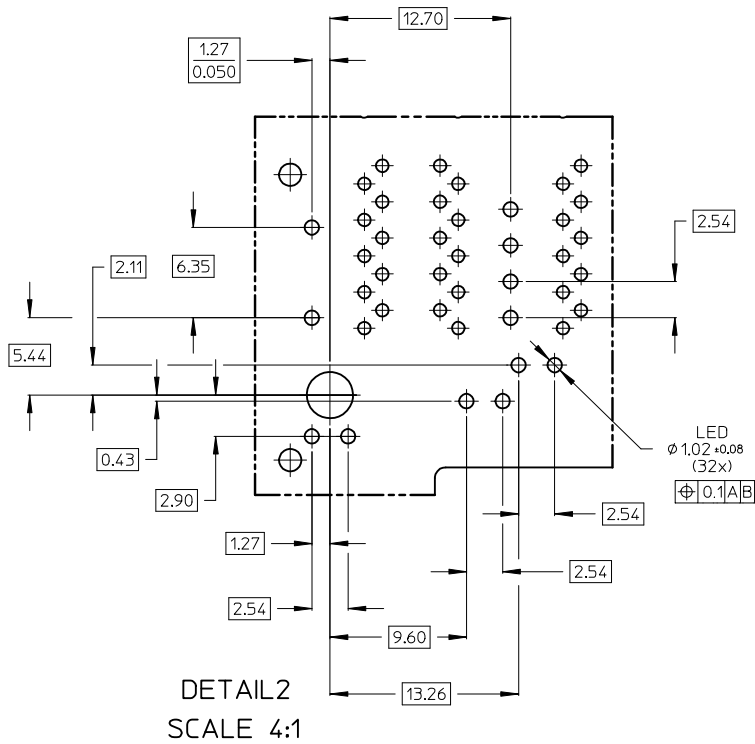
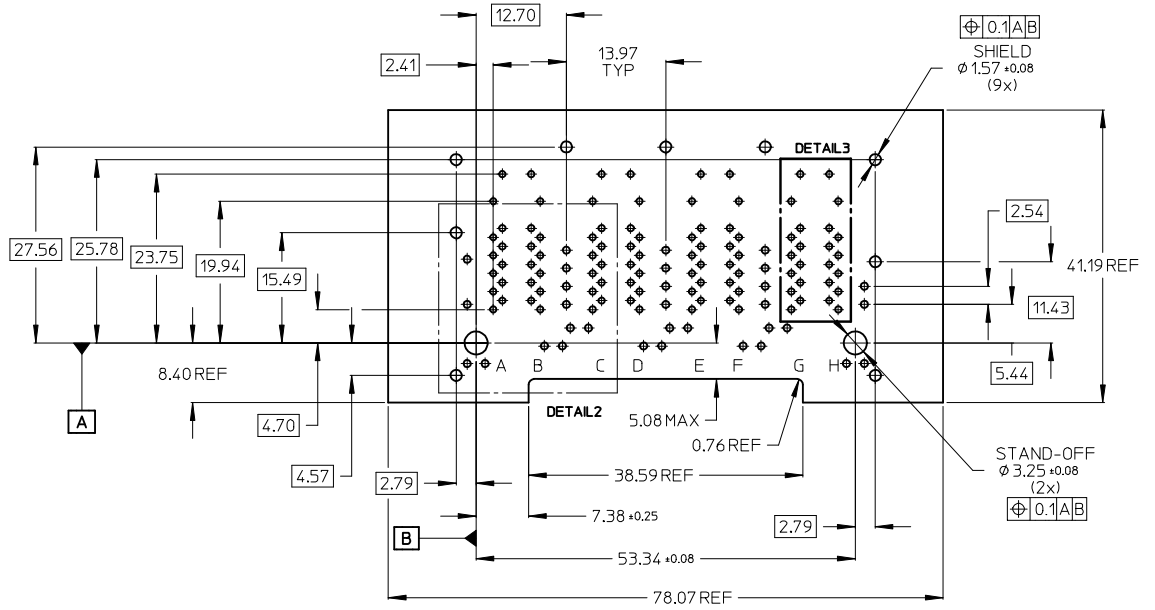
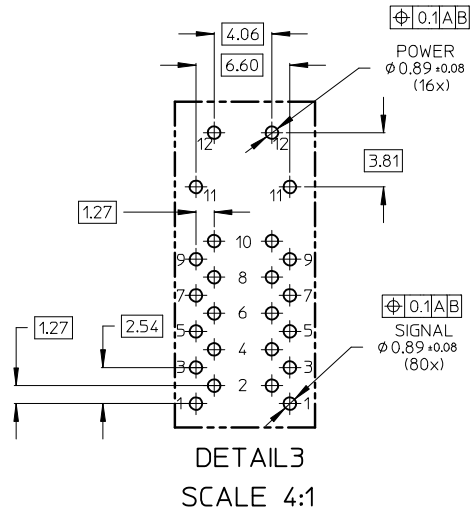
PART NUMBER	UPPER & LOWER LED LEFT		UPPER & LOWER LED RIGHT		LED PIN DIM-A-	SIGNAL PIN DIM-B-
	COLOUR 1	COLOUR 2	COLOUR 1	COLOUR 2		
85735-2001	GREEN	—	GREEN	—	3.56 MM	3.56 MM
85735-2004	GREEN	ORANGE	GREEN	ORANGE	3.56 MM	3.56 MM

ADDITIONAL LED COLOURS ARE CONFIGURATIONS AVAILABLE ON REQUEST



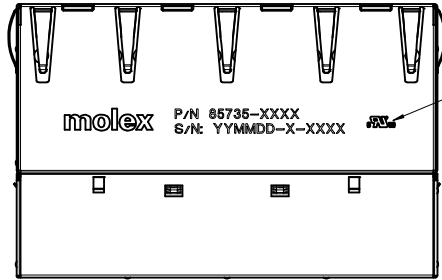
- NOTES:
- 1 - SHIELD MATERIAL: BRASS; PLATING: NICKEL PRE-PLATING
  - 2 - PLASTIC MATERIAL: POLYESTER (PBT) BLACK, 30%GR, UL 94V-0
  - 3 - RJ45 TERMINALS MATERIAL: COPPER ALLOY  
CONTACT PLATING: 0.76 MICROMETER GOLD OVER 1.9 MICROMETER NICKEL  
PHY TERMINALS: TIN PLATED
  - 4 - MATING INTERFACE ACCORDING TO IEC 60603-7
  - 5 - PRODUCT SPECIFICATION: PS-85732-001
  - 6 - PACKAGING SPECIFICATION: PK-85735-001
  - 7 - TRACES WITHOUT INSULATION NOT ALLOWED IN THE DASHED AREAS & LATCHES (TO AVOID SHORTS TO SHIELD)
  - 8 - STAND OFF TO SYSTEM BOARD
  - 9 - STUBBED PINS -> AVOID TO ROUTE TRACES OR TO PLACE ANY VIAS OR PADS BELOW THESE PINS
  - 10 - FOR MAGNETICS AND LED INFORMATION SEE SPEC PS-85732-001

INCH DIM DELETED	IEC NO: 201501/15 DRAWN: JBADER CHKD: MMANGARUDOV 2015/01/15 APPR: SSTEINKE 2015/07/08	DESCRIPTION QUALITY SYMBOLS ▽=0 ▽=0 DRAFT WHERE APPLICABLE MUST REMAIN WITHIN DIMENSIONS	GENERAL TOLERANCES (UNLESS SPECIFIED)		DIMENSION STYLE <b>MM ONLY</b>		SCALE	DESIGN UNITS	THIRD ANGLE PROJECTION		
			mm	INCH	2:1	METRIC					
			4 PLACES ± --- ± ---	3 PLACES ± --- ± ---	2 PLACES ± 0.25 ± ---	1 PLACE ± 0.5 ± ---	ANGULAR ± .5 °	DRAWN BY: JBADER DATE: 2013/07/02 CHECKED BY: MMANGARUDOV DATE: 2013/07/02 APPROVED BY: SSTEINKE DATE: 2013/10/31	TITLE	GIGABIT MAGNETIC JACK POE PLUS ENABLED 2X4 LED	
			MATERIAL NO.			SEE BOM		DOCUMENT NO. SD-85735-201		SHEET NO. 1 OF 4	

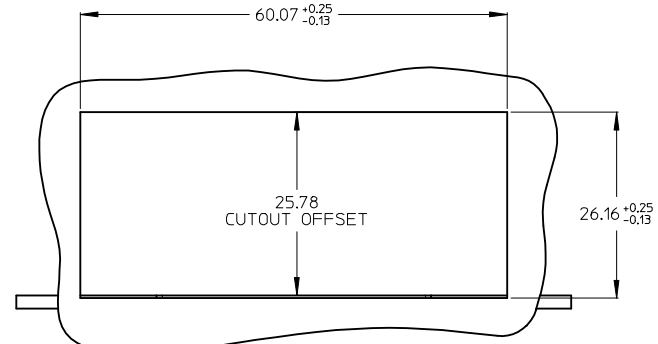


INCH DIM DELETED	EC NO:	20150115	QUALITY SYMBOLS		GENERAL TOLERANCES (UNLESS SPECIFIED)		DIMENSION STYLE		SCALE	DESIGN UNITS	THIRD ANGLE PROJECTION
	DRWN:	JBADER	20150115	▽=0	mm INCH		MM ONLY		2:1	METRIC	
	CHKD:	MMANGARUDOV	20150115	▽=0	4 PLACES ± --- ± ---	DRAWN BY DATE		TITLE		GIGABIT MAGNETIC JACK POE PLUS ENABLED 2X4 LED	
	APPR:	SSTEINKE	20150708		3 PLACES ± --- ± ---	JBADER 2013/07/02					
REV	DESCRIPTION			2 PLACES ± 0.25 ± ---	CHECKED BY DATE				MOLEX INCORPORATED		
				1 PLACE ± 0.5 ± ---	MMANGARUDOV 2013/07/02						
				ANGULAR ± .5 °	APPROVED BY DATE				DOCUMENT NO. SD-85735-201		
					SSTEINKE 2013/10/31						
					MATERIAL NO.				SHEET NO. 2 OF 4		
					SEE SHEET 1						
					DRAFT WHERE APPLICABLE MUST REMAIN WITHIN DIMENSIONS		SIZE A2		THIS DRAWING CONTAINS INFORMATION THAT IS PROPRIETARY TO MOLEX INCORPORATED AND SHOULD NOT BE USED WITHOUT WRITTEN PERMISSION		

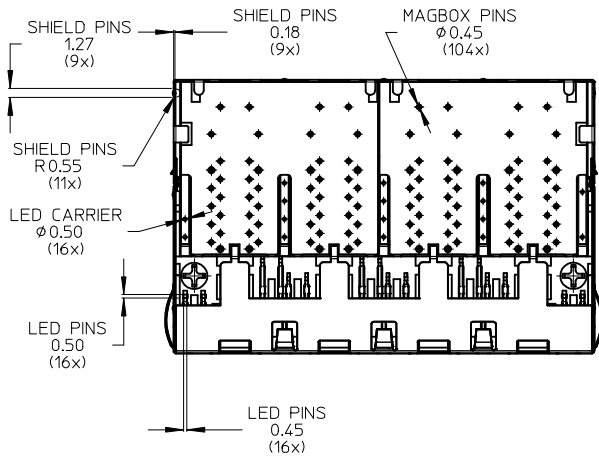
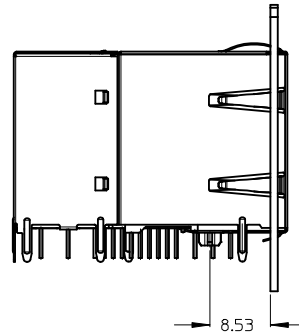
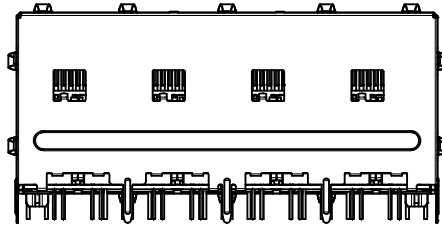
PRINTING  
 LED VERSION  
 P/N: 85735-XXXX  
 S/N: YYMMDD-CM-CONSECUTIVE NUMBER



SEE NOTE 3

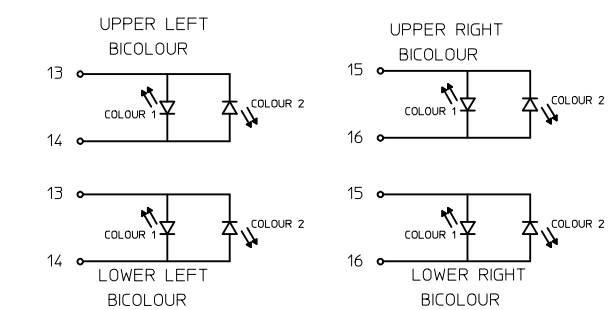
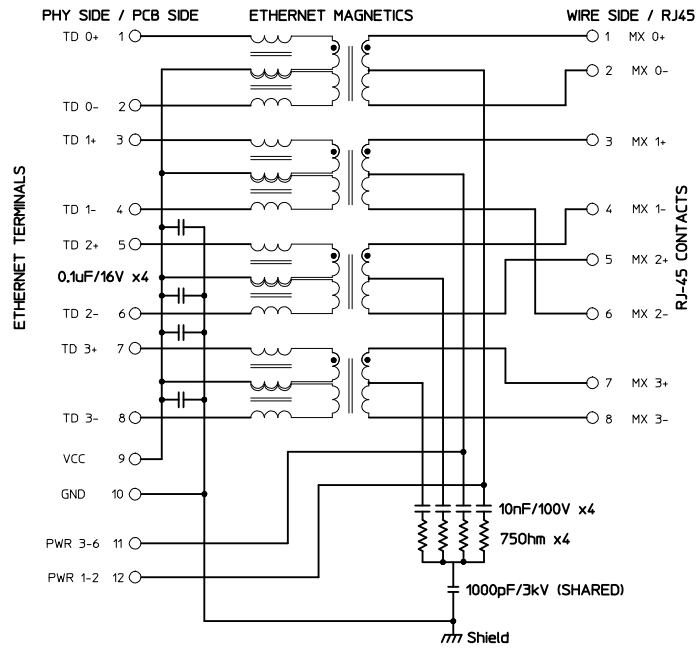
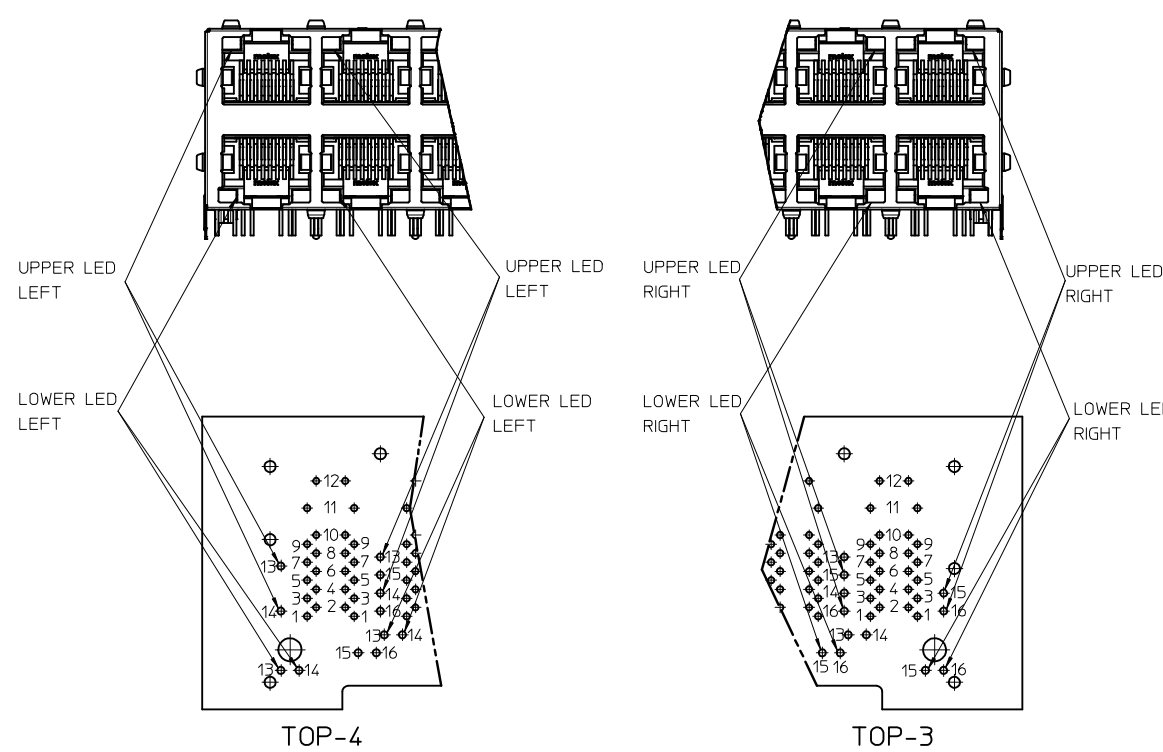


SUGGESTED PANEL CUT OUT



- NOTES:  
 1 - PRINTING MARKED BY LASER  
 2 - INSCRIPTION:  
 1st LINE: PART NUMBER  
 2nd LINE: DATE CODE (YEAR, MONTH, DAY)- MANUFACTURER ID - CONSECUTIVE NUMBER  
 3 - UL LOGO

INCH DIM DELETED	EC NO: 2015/01/15	QUALITY SYMBOLS	GENERAL TOLERANCES (UNLESS SPECIFIED)		DIMENSION STYLE MM ONLY		SCALE 2:1	DESIGN UNITS METRIC	THIRD ANGLE PROJECTION
	DRWN: JBADER	▽=0	4 PLACES ± --- ± ---	mm	INCH	DRAWN BY JBADER	DATE 2013/07/02	TITLE GIGABIT MAGNETIC JACK POE PLUS ENABLED 2X4 LED	
	CHKD: MMANGARUDOV	▽=0	3 PLACES ± --- ± ---	± 0.25	± ---	CHECKED BY MMANGARUDOV	DATE 2013/07/02	MOLEX INCORPORATED	
	APPR: SSTEINKE	DESCRIPTION	1 PLACE ± 0.5 ± ---	ANGULAR ± .5 °		APPROVED BY SSTEINKE	DATE 2013/10/31		
			DRAFT WHERE APPLICABLE MUST REMAIN WITHIN DIMENSIONS		THIS DRAWING CONTAINS INFORMATION THAT IS PROPRIETARY TO MOLEX INCORPORATED AND SHOULD NOT BE USED WITHOUT WRITTEN PERMISSION				



UPPER POSITION	LOWER POSITION	LEFT COLOUR	RIGHT COLOUR
13	13	+	-
14	14	-	+

UPPER POSITION	LOWER POSITION	RIGHT COLOUR	LEFT COLOUR
15	15	+	-
16	16	-	+

POWER-SUPPLY POLARITY DEFINITION TO ACHIEVE PoE POWER ASSIGNMENT ACCORDING IEEE Std802.3-2012 ALTERNATIVE A:

	MDI-X	MDI
PIN 11	Vc +	Vc -
PIN 12	Vc -	Vc +

PIN	ETHERNET MAGNETICS
1	TD 0+
2	TD 0-
3	TD 1+
4	TD 1-
5	TD 2+
6	TD 2-
7	TD 3+
8	TD 3-
9	Vcc
10	GND
11	PWR 3-6
12	PWR 1-2

<b>SCHEMATIC UPDATED</b> EC NO: B DRWN: JBADER 2015/01/15 CHKD: MMANGARUDOV 2015/01/15 APPR: SSTEINKE 2015/07/08	QUALITY SYMBOLS ▽=0 ▽=0	GENERAL TOLERANCES (UNLESS SPECIFIED) <table border="1"> <thead> <tr> <th></th> <th>mm</th> <th>INCH</th> </tr> </thead> <tbody> <tr><td>4 PLACES</td><td>± .005</td><td>± .0002</td></tr> <tr><td>3 PLACES</td><td>± .005</td><td>± .0002</td></tr> <tr><td>2 PLACES</td><td>± 0.25</td><td>± .010</td></tr> <tr><td>1 PLACE</td><td>± 0.5</td><td>± .020</td></tr> </tbody> </table> ANGULAR ± .5°		mm	INCH	4 PLACES	± .005	± .0002	3 PLACES	± .005	± .0002	2 PLACES	± 0.25	± .010	1 PLACE	± 0.5	± .020	DIMENSION STYLE <b>MM ONLY</b>	SCALE <b>2:1</b>	DESIGN UNITS <b>METRIC</b>	THIRD ANGLE PROJECTION
		mm	INCH																		
	4 PLACES	± .005	± .0002																		
	3 PLACES	± .005	± .0002																		
2 PLACES	± 0.25	± .010																			
1 PLACE	± 0.5	± .020																			
DRAWN BY: JBADER CHECKED BY: MMANGARUDOV APPROVED BY: SSTEINKE DATE: 2013/07/02 DATE: 2013/07/02 DATE: 2013/10/31	TITLE <b>GIGABIT MAGNETIC JACK                  POE PLUS ENABLED 2X4 LED</b>	MATERIAL NO. <b>SEE SHEET 1</b>	DOCUMENT NO. <b>SD-85735-201</b>	SHEET NO. <b>4 OF 4</b>																	
DRAFT WHERE APPLICABLE MUST REMAIN WITHIN DIMENSIONS																					
THIS DRAWING CONTAINS INFORMATION THAT IS PROPRIETARY TO MOLEX INCORPORATED AND SHOULD NOT BE USED WITHOUT WRITTEN PERMISSION																					