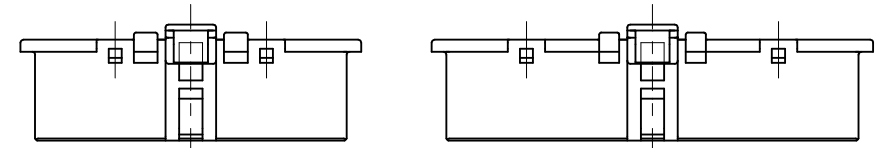
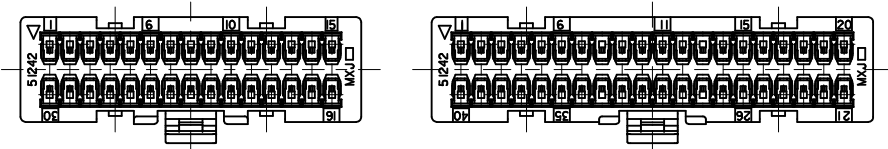
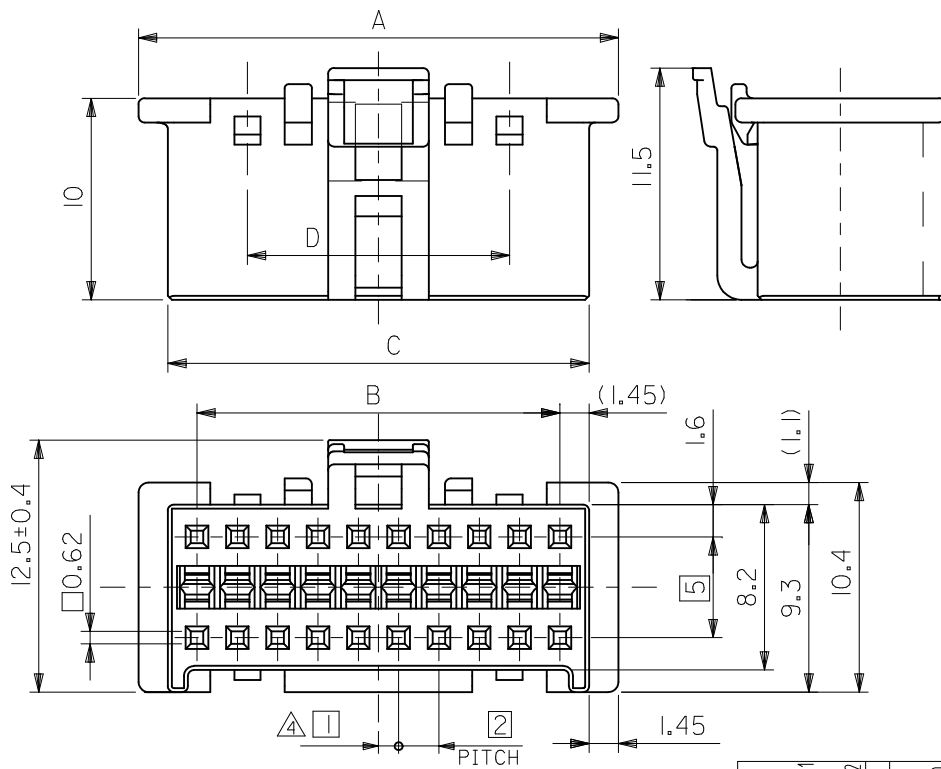
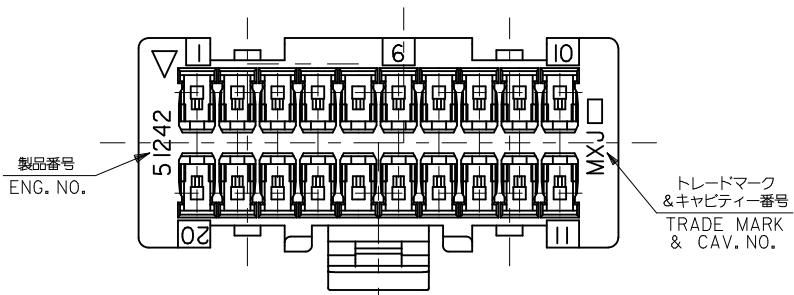
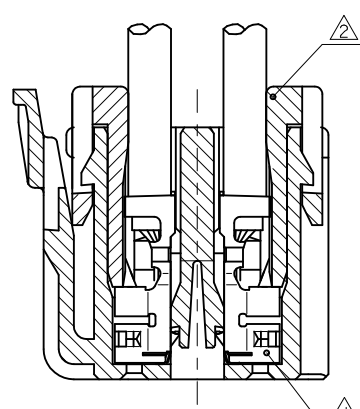


10 9 8 7 6 5 4 3 2 1



30 CIRCUIT 40 CIRCUIT
VIEW OF 30, 40 CIRCUIT
(2:1)



ターミナル及びリテーナー装着状態図
TERMINAL & RETAINER
ASSEMBLY DRAWING
SCALE 5:1

注記 NOTES

- ① 適合ターミナル : 56134シリーズ
APPLICABLE TERMINAL : 56134 SERIES
- ② 適合リテーナー : 55767シリーズ
APPLICABLE RETAINER : 55767 SERIES
- ③ 嵌合相手 : 55763シリーズ
MATE WITH : 55763 SERIES
- ④ (全極数/2) = 偶数の場合に適用。
APPLY FOR (CIRCUIT/2)=EVEN
- ⑤ 製品番号
MATERIAL NO.

51242-***0*

極数 CIRCUIT SIZE

色 COLOR	ナチュラル (白) NATURAL (WHITE)	0
	赤 RED	2

25	40.9	38	43.8	51242-400*	40
15	30.9	28	33.8	51242-300*	30
13	20.9	18	23.8	51242-200*	20
D	C	B	A	⑤ MATERIAL NO.	CKT.

部品 PART	材質 MATERIAL
ハウジング HOUSING	ポリアミド (PA66)、ガラス入り、 GLASS FILLED 66 NYLON、 UL94V-0、色:表参照 COLOR: SEE CHART

REVISED EC NO: J2011-0908 DRAWN: NITO 2011/01/11 CHKD: CHKD: APPR: NUKITA 2011/01/12	GENERAL TOLERANCES (UNLESS SPECIFIED)		DIMENSION STYLE MM ONLY		SCALE 4:1	DESIGN UNITS METRIC	THIRD ANGLE PROJECTION
	10 UNDER	±0.2	DRAWN BY NITO	DATE '01/04/02	TITLE 2.0 DUAL W/B CONN RCPT HSG		
	10 OVER 30 UNDER	±0.25	CHECKED BY KASAKAWA	DATE '01/08/02	MOLEX INCORPORATED		
	30 OVER	±0.3	APPROVED BY TYAMAGUCHI	DATE '01/08/02	DOCUMENT NO. SD-51242-002	SHEET NO. 1 OF 1	
	ANGULAR ±3 °	DRAFT WHERE APPLICABLE MUST REMAIN WITHIN DIMENSIONS		SEE CHART			
		THIS DRAWING CONTAINS INFORMATION THAT IS PROPRIETARY TO MOLEX INCORPORATED AND SHOULD NOT BE USED WITHOUT WRITTEN PERMISSION					