

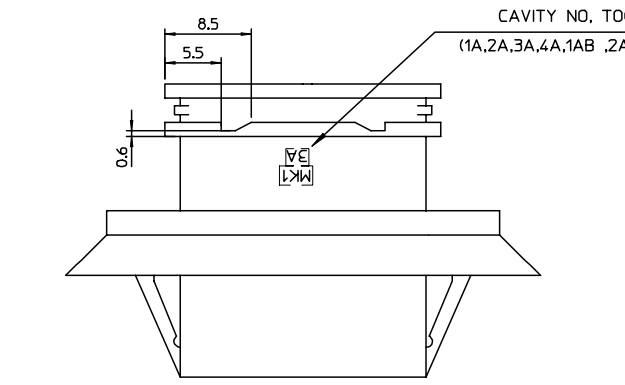
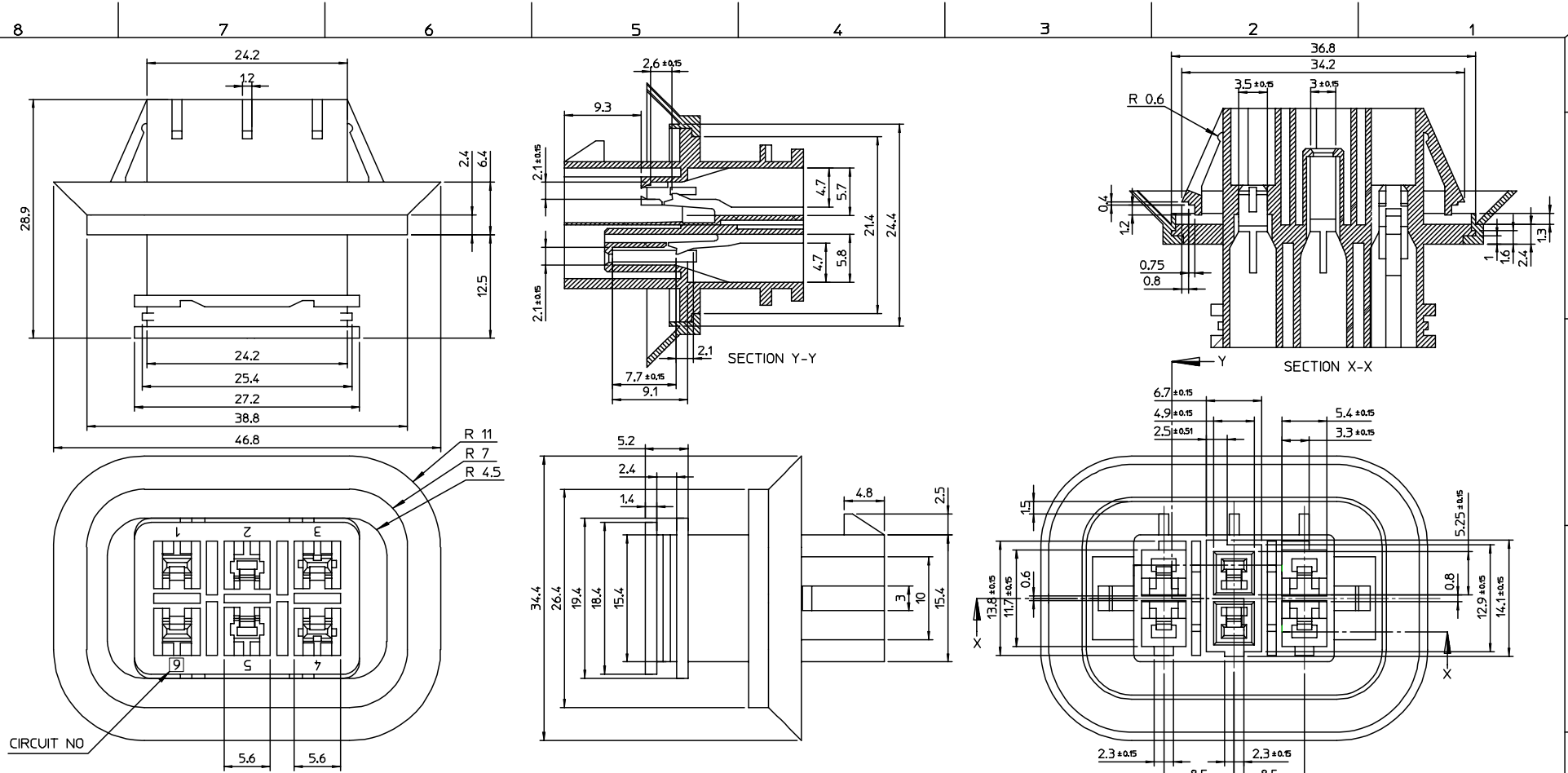
DWG. NO.

SIMILAR ITEM

PROJECT NO.

B

DO NOT SCALE DRAWING  
DIMENSION IN METRIC



NOTES

1. MATERIALS :1ST MOLD: POLYSTER(PBT-PC),UNFILLED,UL94V-0,750 DEGREE C GWIT  
NATURAL COLOR  
2nd MOLD : TPE BLACK COLOR

ECN NO. DRWN: WY.YANG 06/11/15 CHK: APPR:	DESCRIPTION	QUALITY SYMBOLS	GENERAL TOLERANCES: (UNLESS SPECIFIED)		SCALE 2:1	DESIGN UNITS <input checked="" type="checkbox"/> mm <input type="checkbox"/> INCH	DIMENSIONS: <input type="checkbox"/> mm <input type="checkbox"/> INCH <input checked="" type="checkbox"/> mm ONLY		SHT	REV
		MAJOR =	mm	INCH	DRAWN BY & DATE WY.YANG 06/11/15	THIRD ANGLE PROJECTION		TITLE: .070 W-to-W MULTI COVER HSG 6CKT (TWO RESIN)		
2	REV	CRITICAL =	4 PLACES	±0.	±-	CHECKED BY & DATE		APPROVED BY & DATE		
			3 PLACES	±0.	±-	APPROVED BY & DATE		MOLEX INCORPORATED		
			2 PLACES	±0.25	±-	CAD FILENAME S49537AA		MATERIAL NO. 495370610	DRAWING NO. SD-49537-001	SHEET NO. 10F1
			1 PLACE	±0.25	±-	DRAFT WHERE APPLICABLE MUST REMAIN WITHIN DIMENSIONS		THIS DRAWING CONTAINS INFORMATION THAT IS PROPRIETARY TO MOLEX INCORPORATED AND SHOULD NOT BE USED WITHOUT WRITTEN PERMISSION.		
			ANGULAR: ± °						KOREA	

F

E

D

C

B

A

MX-A3