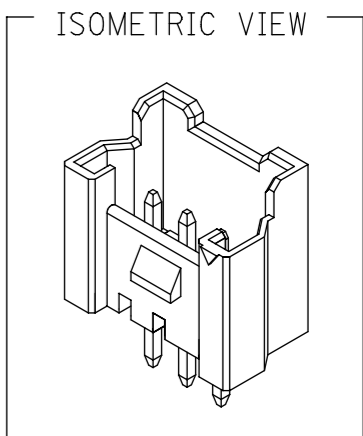
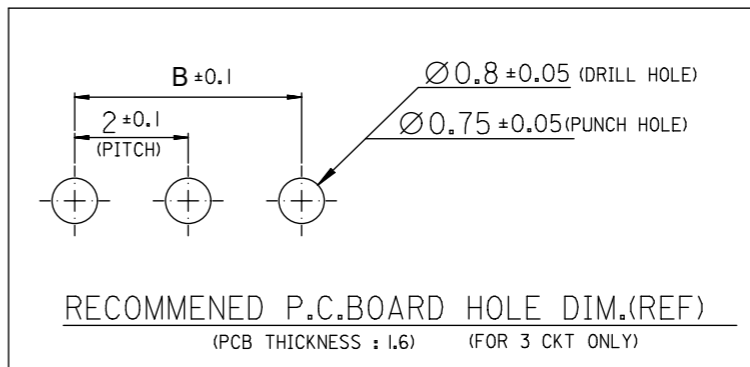
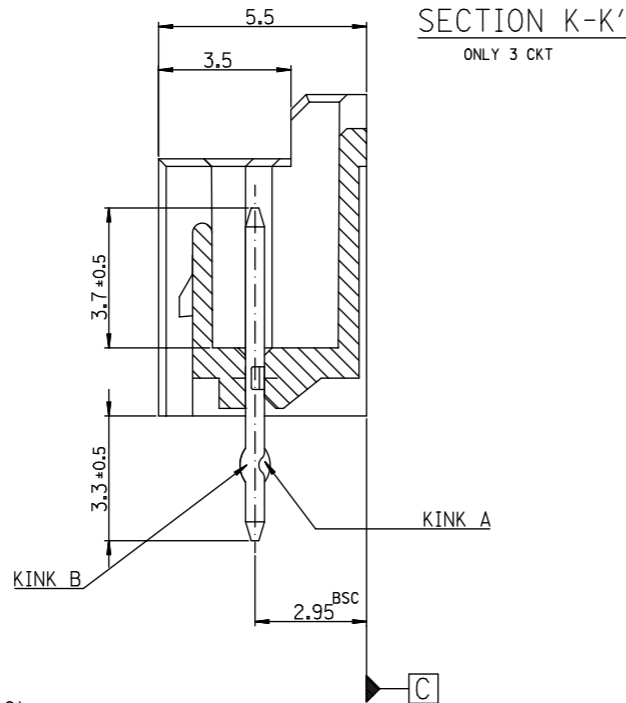
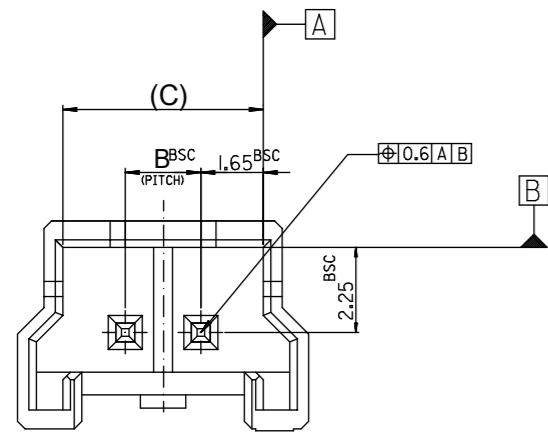


FOR 2 & 3 CKTS.



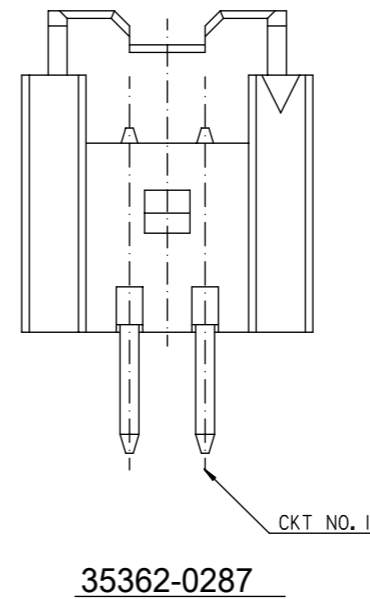
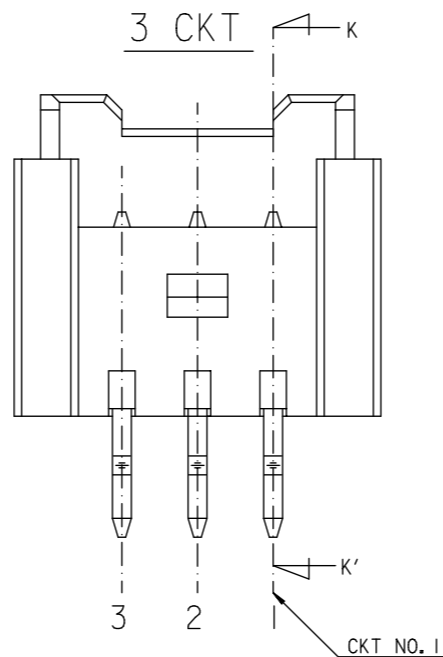
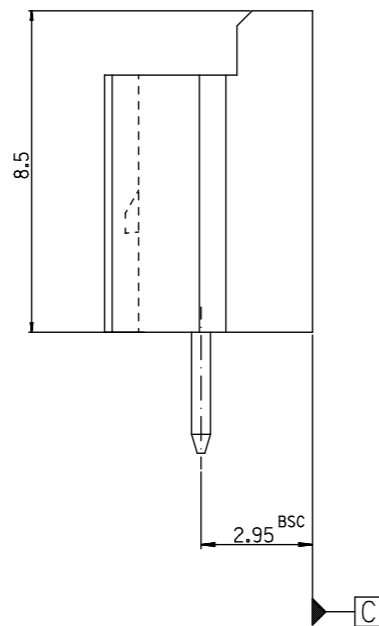
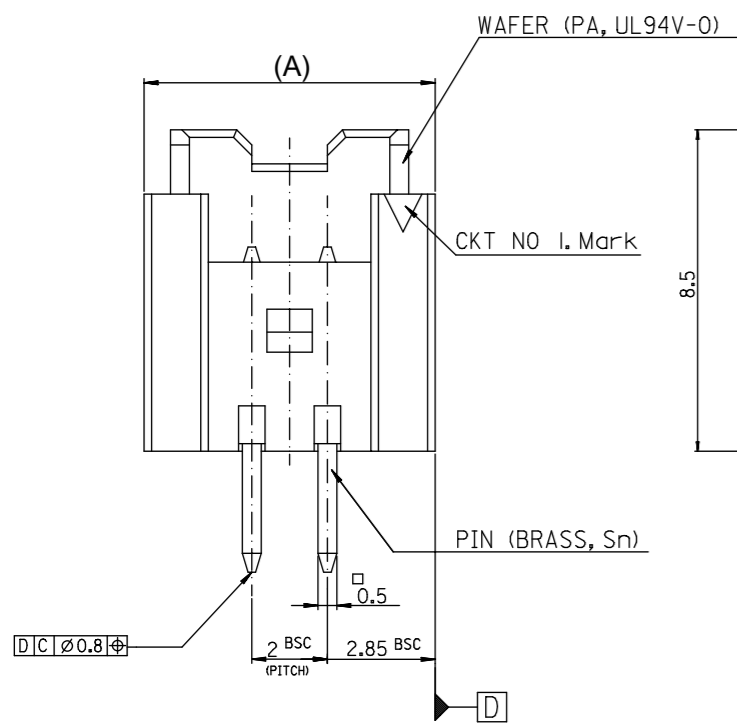
**LEGEND**

SD-35362-\*\*\*\*  
CKT NO. \_\_\_\_\_ COLOR \_\_\_\_\_

FINAL GOOD (BULK)  
SUB ASSY (TUBE)

- 5 : SELECTIVE KINK (LEAD FREE)
- 6 : NONE KINK (LEAD FREE)
- 7 : SELECTIVE KINK (LEAD FREE)
- 8 : NONE KINK (LEAD FREE)

- 0 : NATURAL
- 1 : BLACK
- 2 : RED
- 3 : YELLOW
- 4 : BLUE
- 5 : GREEN
- 6 : TUBE PACKING (Natural Color)
- 7 : TUBE PACKING (Red Color)
- 8 : TUBE PACKING (Blue Color)



**NOTES**

- MATERIAL : UNFILLED POLYAMIDE, UL94V-0  
PIN : BRASS
- FINISHES : PIN - Tin(Sn) 1.0~3.0m OVERALL  
Cu 1.5~3.75m OVERALL
- PRODUCT SPECIFICATION : PS-35507-003
- MATING HOUSING : 35507-\*\*0\*  
MATING TERMINAL : 50212-8000

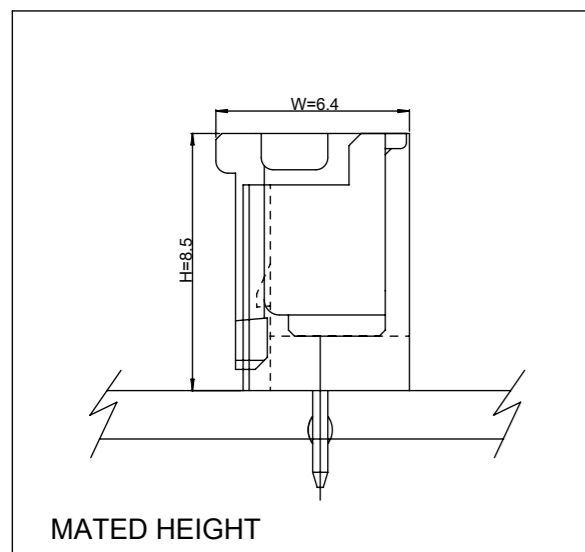
5. KINK

CKT NO.	1	2	3
2 CKT			
3 CKT	A	B	A

6. 35362-0287 IS ONLY KINKED 2P

CKT NO.	1	2
PRODUCT NO.		
35362-0287	A	B

7.3	4	9.7	3536203**	35362-03**	3
5.3	2	7.7	3536202**	35362-02**	2
(C)	B	(A)	MATERIAL NO.	ENG. NO.	CKT



<b>LEAD FREE</b>		SYMBOLS		THIS DRAWING CONTAINS INFORMATION THAT IS PROPRIETARY TO MOLEX ELECTRONIC TECHNOLOGIES, LLC AND SHOULD NOT BE USED WITHOUT WRITTEN PERMISSION	
30 over ±0.3		▽ = 0		CURRENT REV DESC:	
10 over 30 under ±0.25		▽ = 0		EC NO: 605910	
10 under ±0.2		▽ = 0		DRWN: JSSHIN 2018/10/11	
ANGLE ±3°		▽ = 0		CHK'D: SHCHU 2018/10/15	
GENERAL TOLERANCE		▽ = 0		APPR: YSKIM02 2018/10/16	
		▽ = 0		INITIAL REVISION:	
		▽ = 0		DRWN: KSKIM 2005/04/29	
		▽ = 0		APPR: CHANGWOOLEE 2005/05/03	
		▽ = 0		DRAFT WHERE APPLICABLE MUST REMAIN WITHIN DIMENSIONS	
		▽ = 0		THIRD ANGLE PROJECTION	
		▽ = 0		DRAWING	
		▽ = 0		SERIES	
		▽ = 0		MATERIAL NUMBER	
		▽ = 0		CUSTOMER	
		▽ = 0		SHEET NUMBER	
		▽ = 0		A3-SIZE 35362	
		▽ = 0		SD-35362-002	
		▽ = 0		PSD 002 F2	
		▽ = 0		SEE TABLE	
		▽ = 0		GENERAL MARKET	
		▽ = 0		1 OF 1	