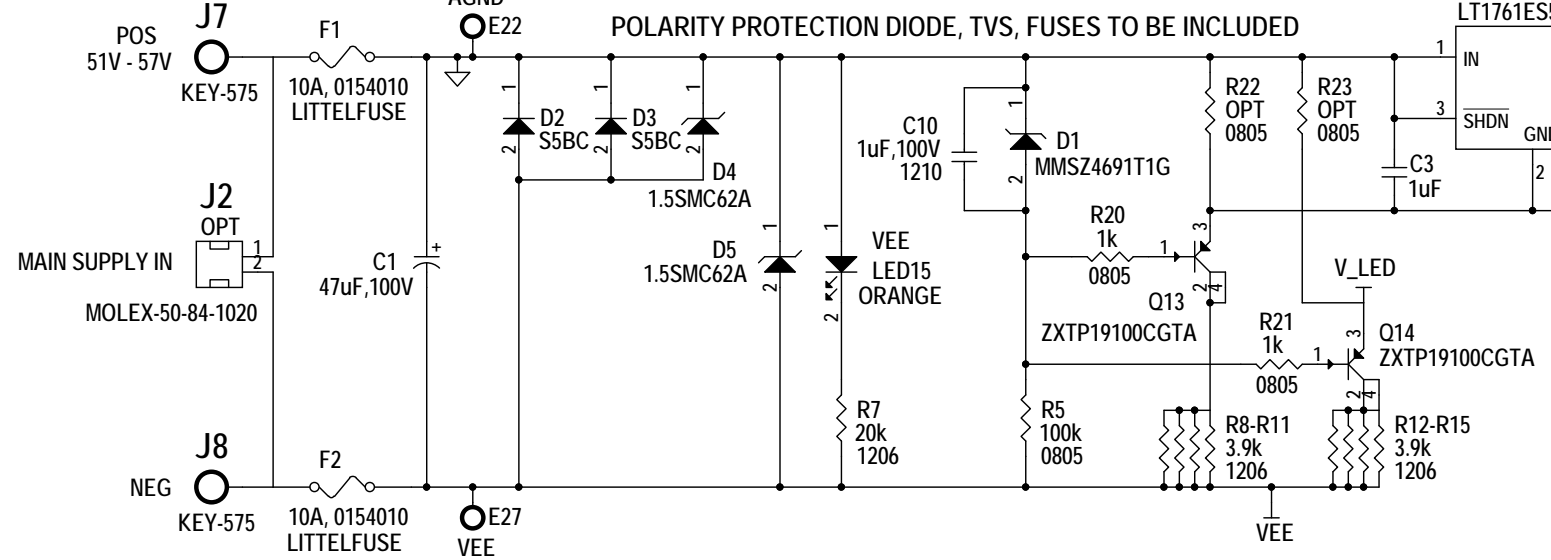
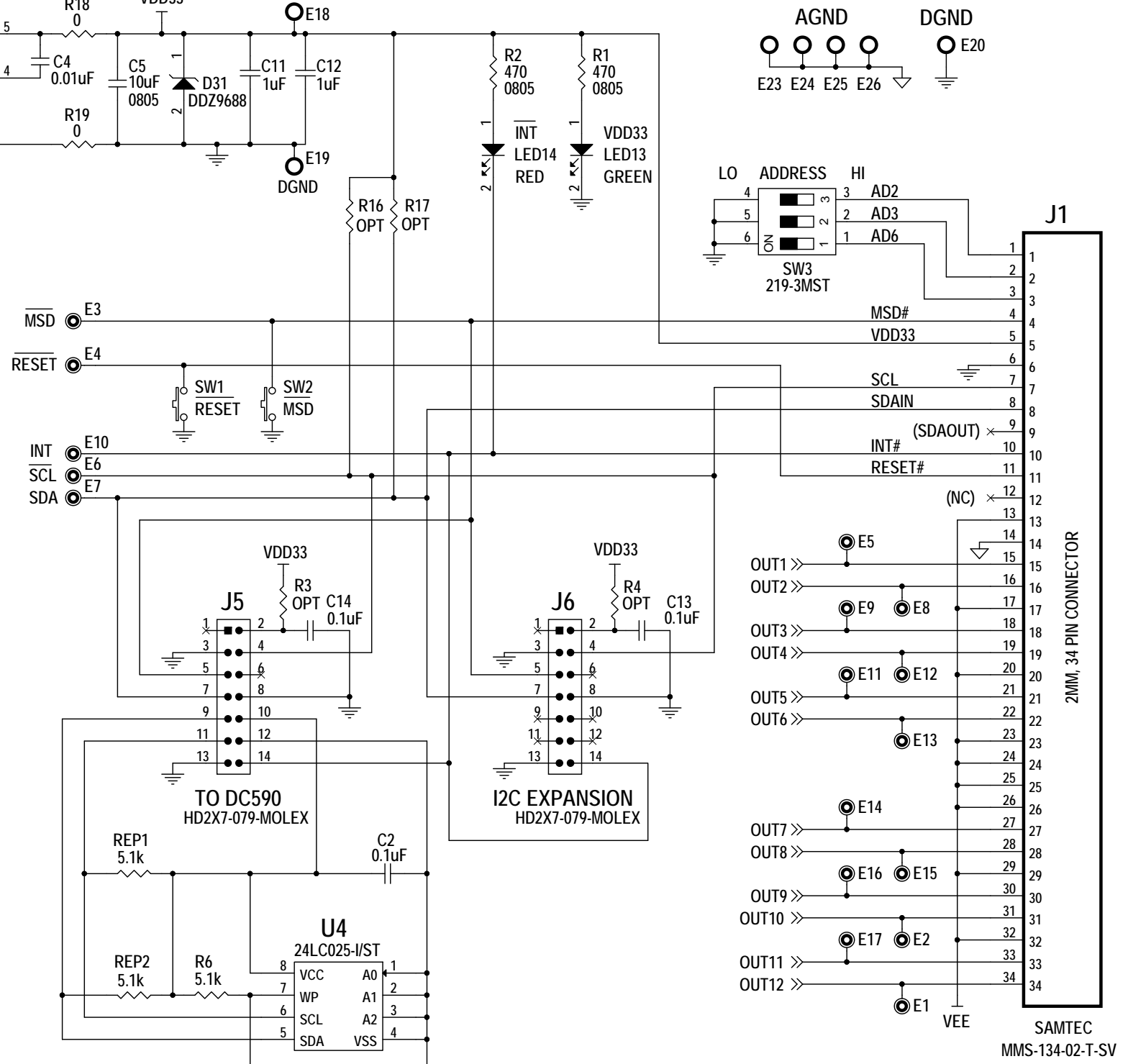


REVISION HISTORY				
ECO	REV	DESCRIPTION	APPROVED	DATE
	2	REBUILD WITH CHANGE	DILIAN R.	09-04-15

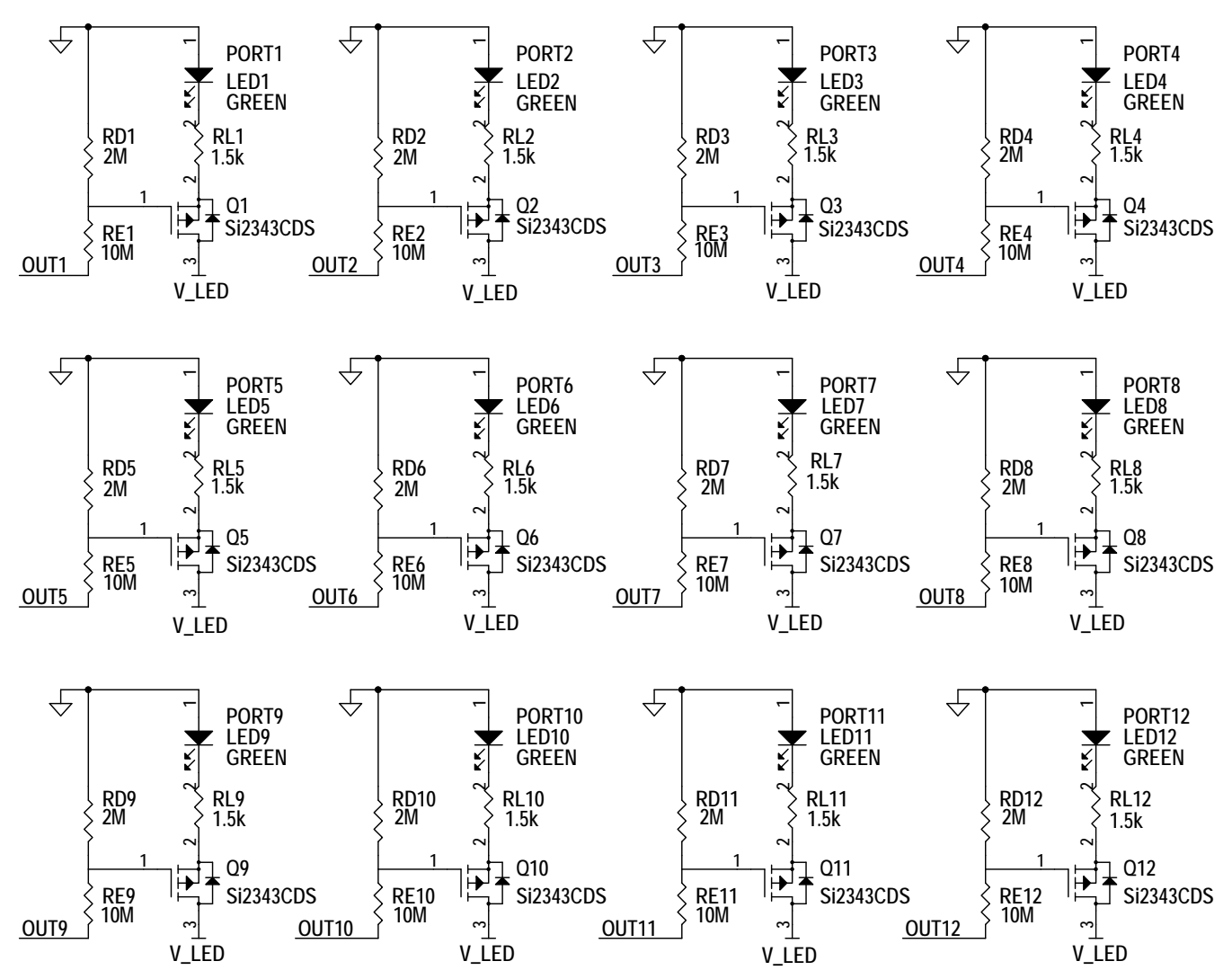
ANALOG CONNECTIONS



DIGITAL CONNECTIONS

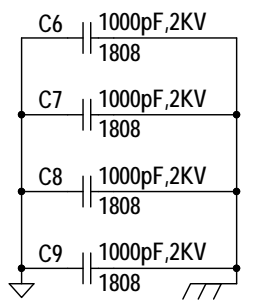


OPTIONAL PORT LED DRIVERS



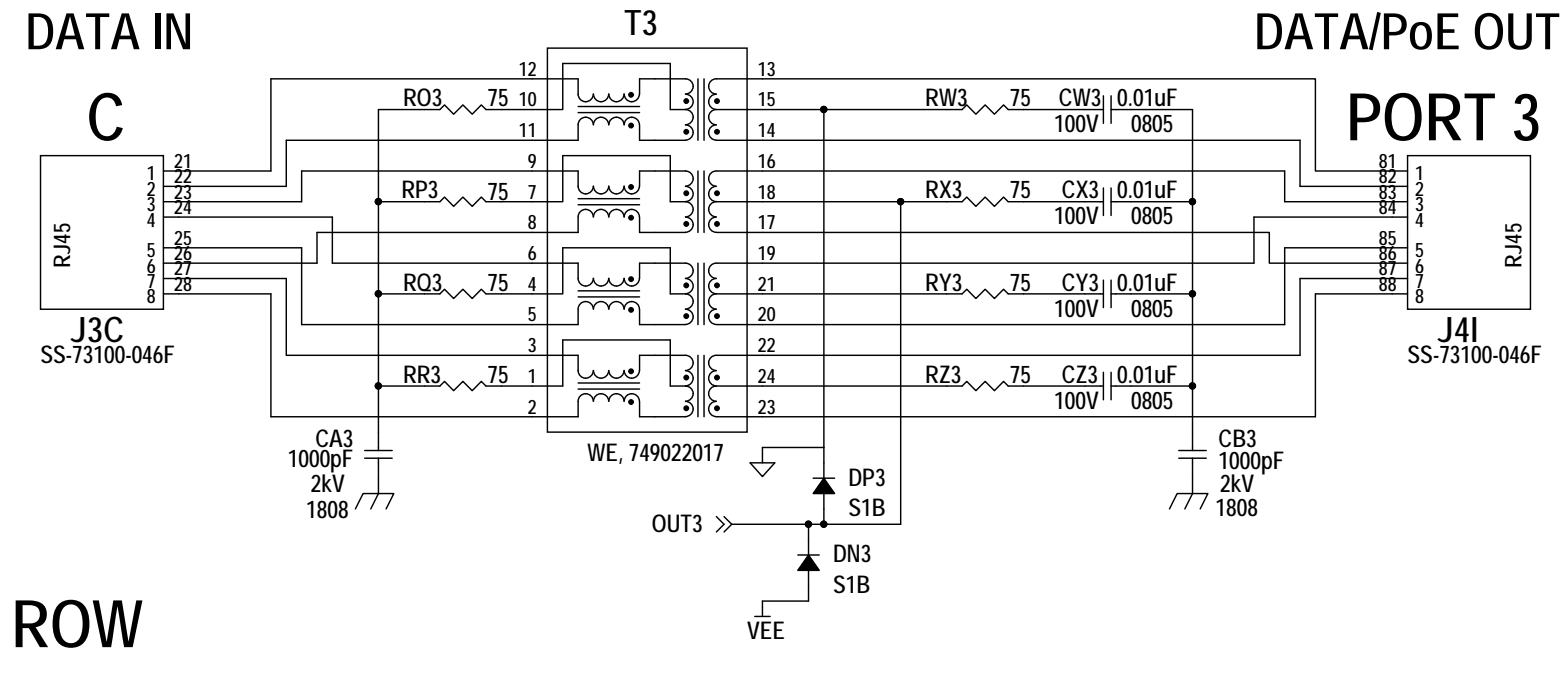
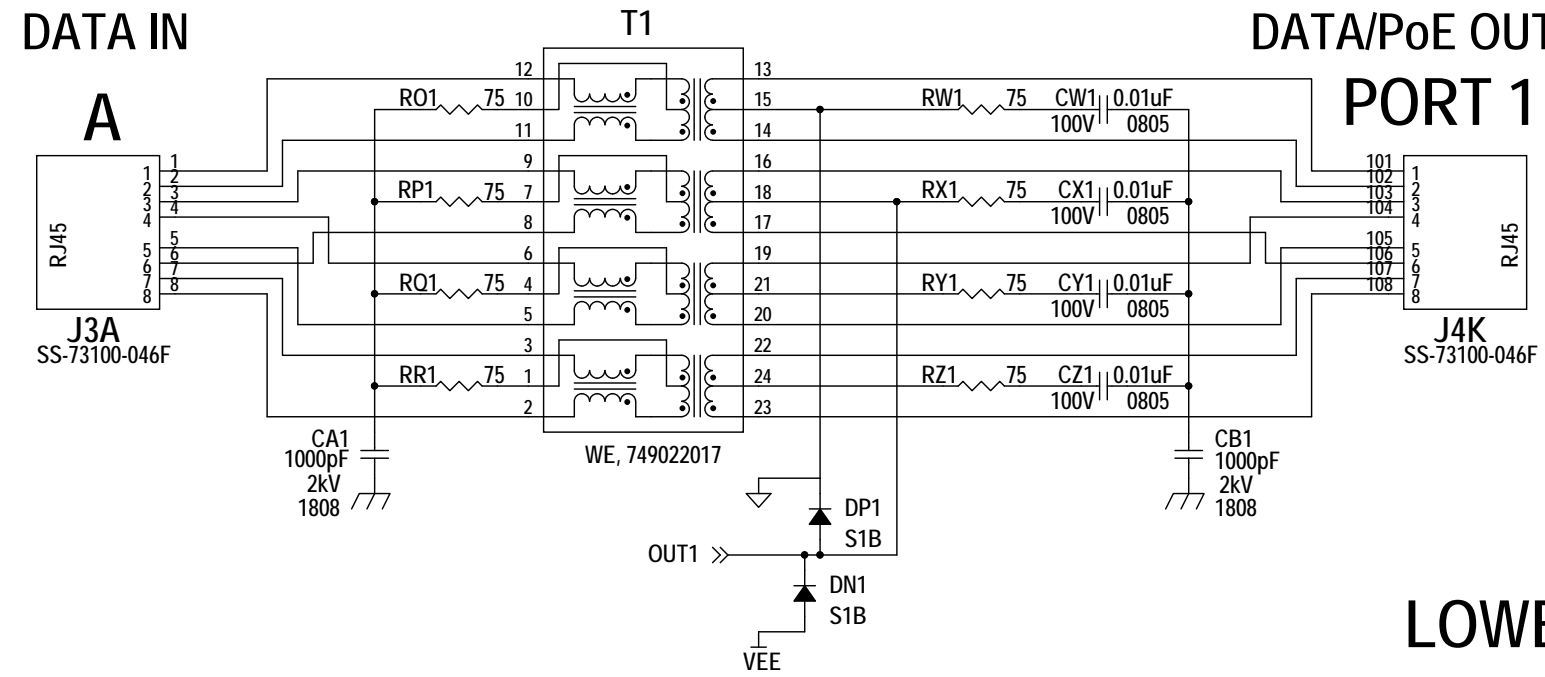
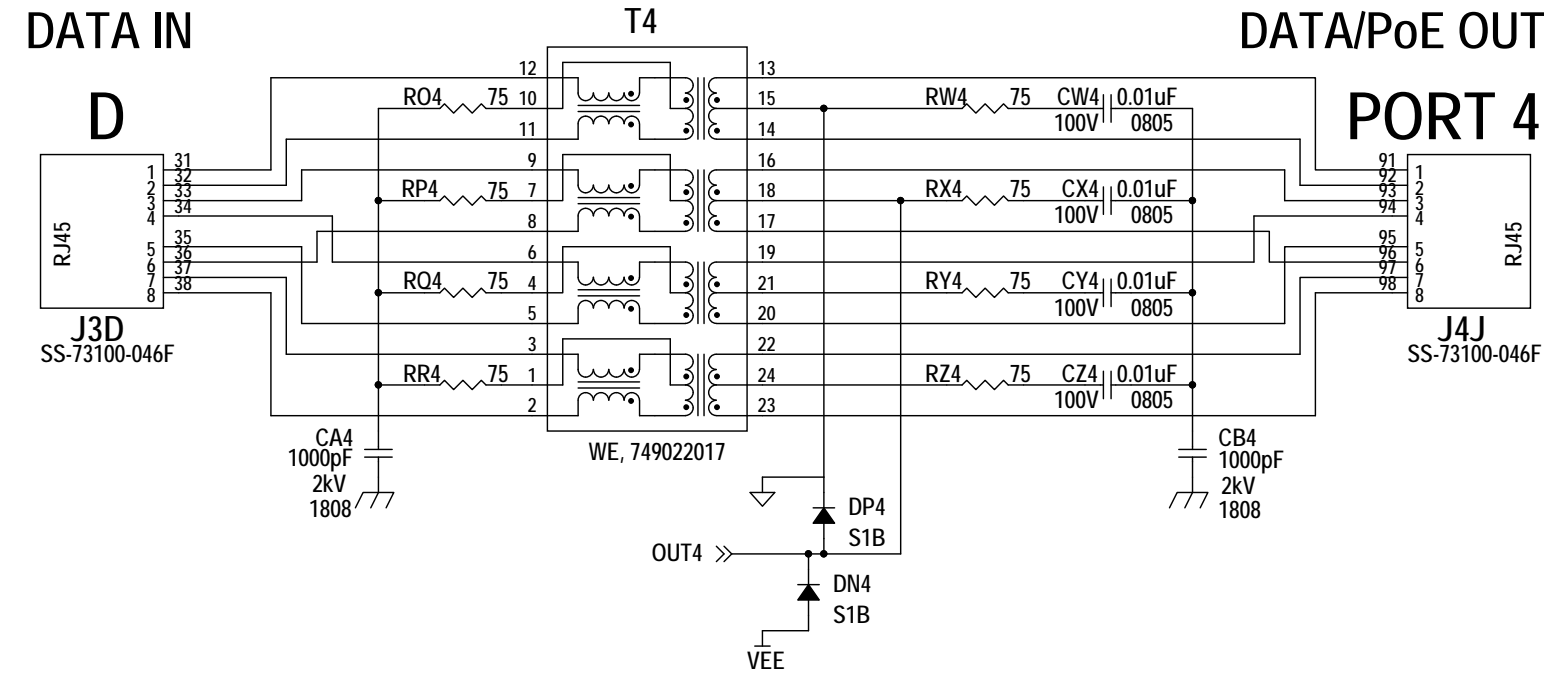
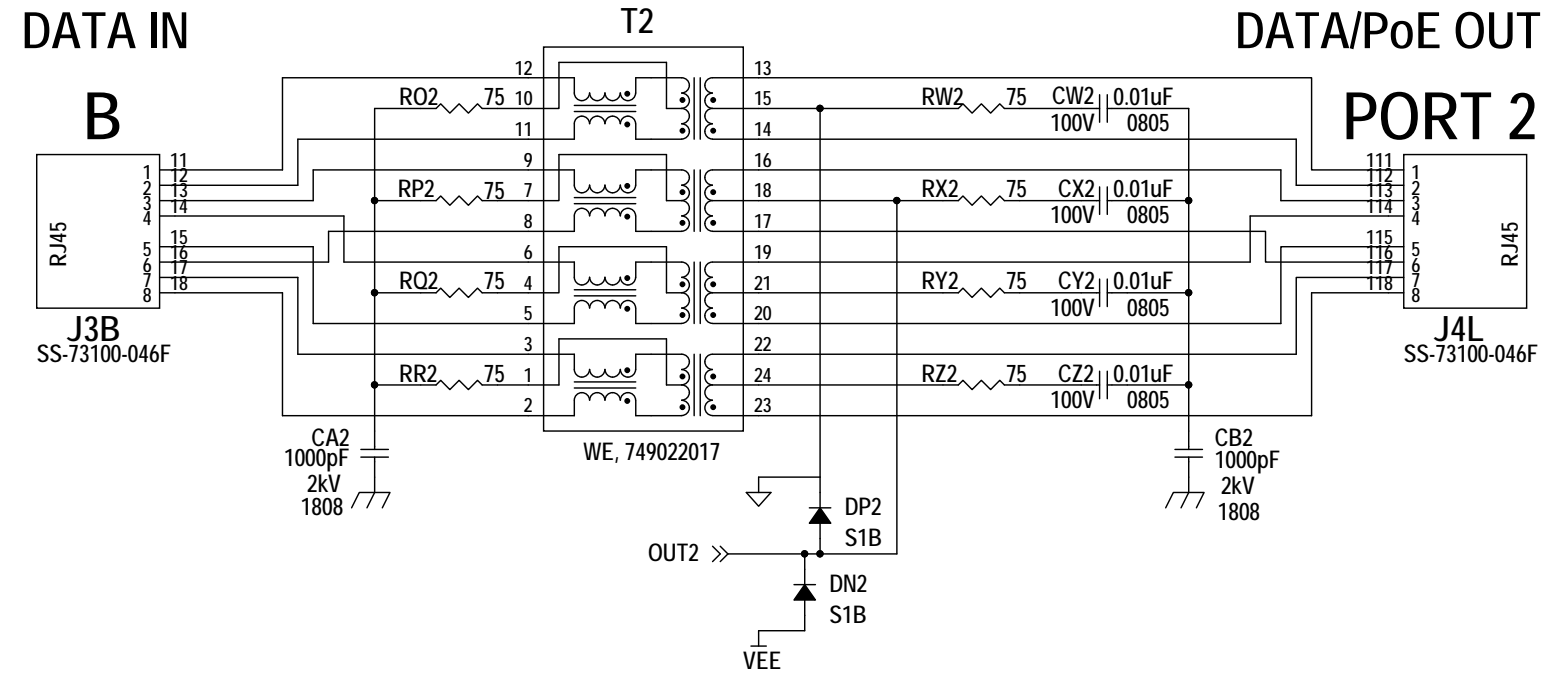
NOTE: UNLESS OTHERWISE SPECIFIED

- ALL RESISTORS AND CAPACITORS ARE 0603.
- INSTALL SHUNTS AS SHOWN.

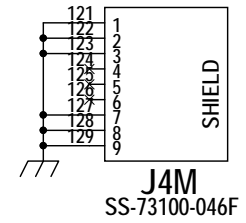
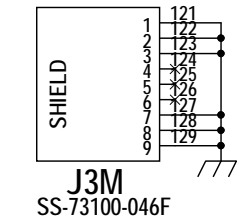


CUSTOMER NOTICE		APPROVALS		<p>1630 McCarthy Blvd. Milpitas, CA 95035 Phone: (408)432-1900 www.linear.com Fax: (408)434-0507 LTC Confidential-For Customer Use Only</p>	
LINEAR TECHNOLOGY HAS MADE A BEST EFFORT TO DESIGN A CIRCUIT THAT MEETS CUSTOMER-SUPPLIED SPECIFICATIONS; HOWEVER, IT REMAINS THE CUSTOMER'S RESPONSIBILITY TO VERIFY PROPER AND RELIABLE OPERATION IN THE ACTUAL APPLICATION. COMPONENT SUBSTITUTION AND PRINTED CIRCUIT BOARD LAYOUT MAY SIGNIFICANTLY AFFECT CIRCUIT PERFORMANCE OR RELIABILITY. CONTACT LINEAR TECHNOLOGY APPLICATIONS ENGINEERING FOR ASSISTANCE.		PCB DES. KIM T.	APP ENG. DILIAN R.		
THIS CIRCUIT IS PROPRIETARY TO LINEAR TECHNOLOGY AND SUPPLIED FOR USE WITH LINEAR TECHNOLOGY PARTS.		SCALE = NONE		SIZE N/A	
		DATE: Friday, September 04, 2015		IC NO. DEMO CIRCUIT 1680B	
		SHEET 1 OF 4		REV. 2	

UPPER ROW

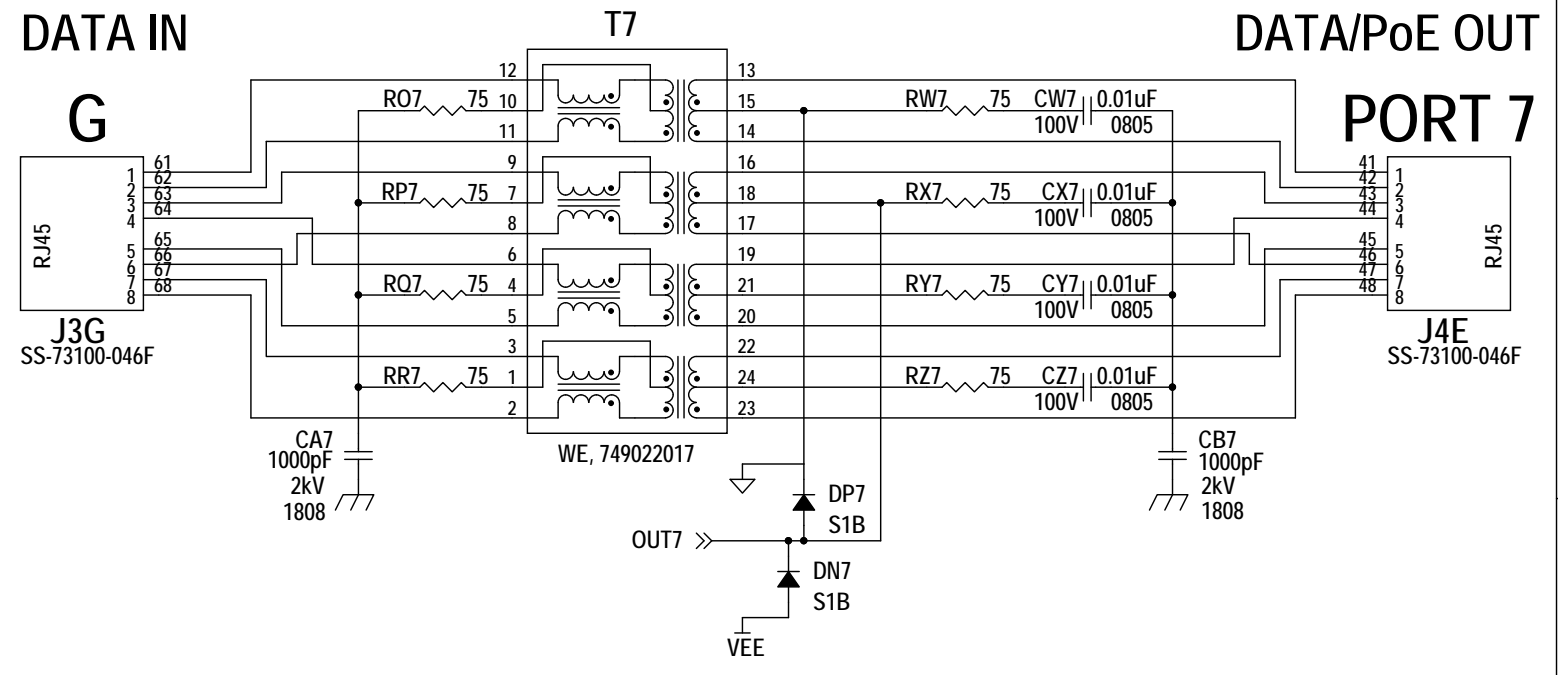
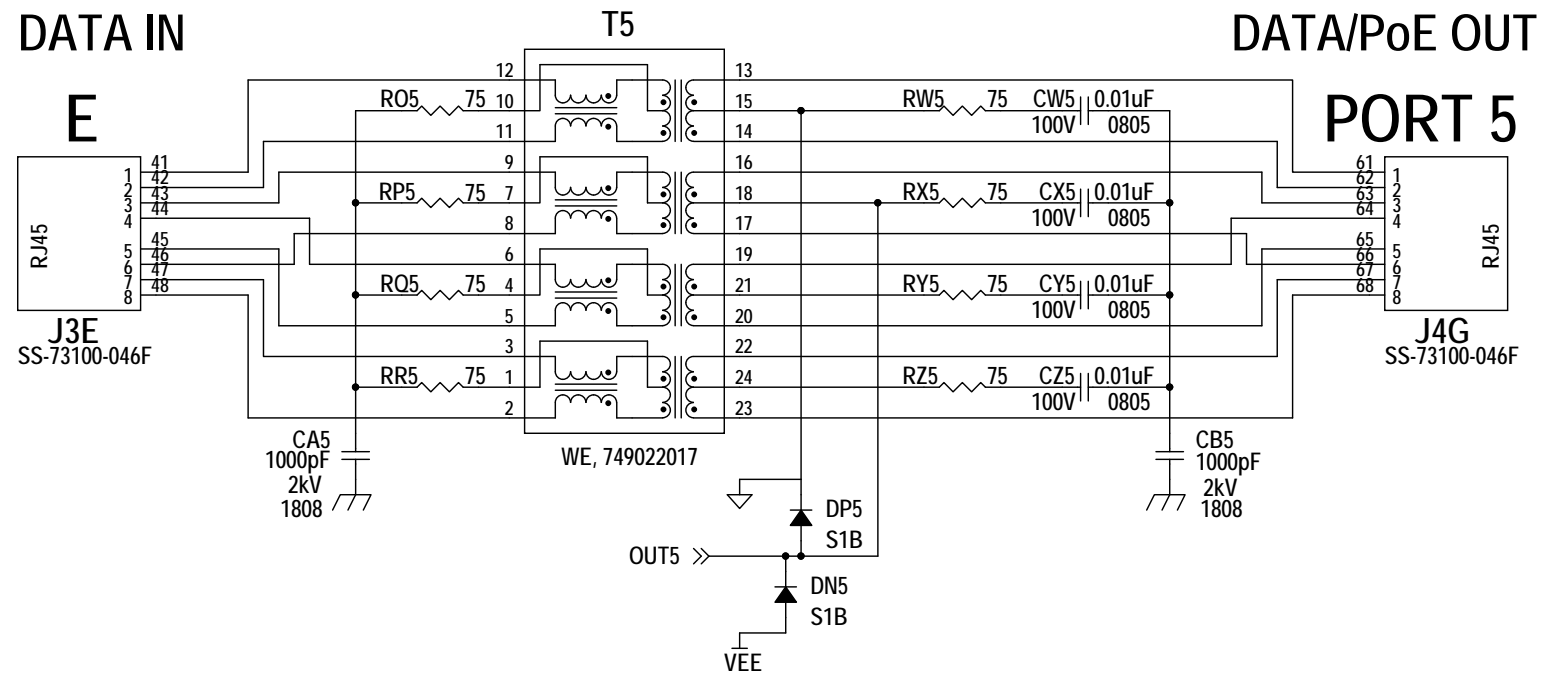
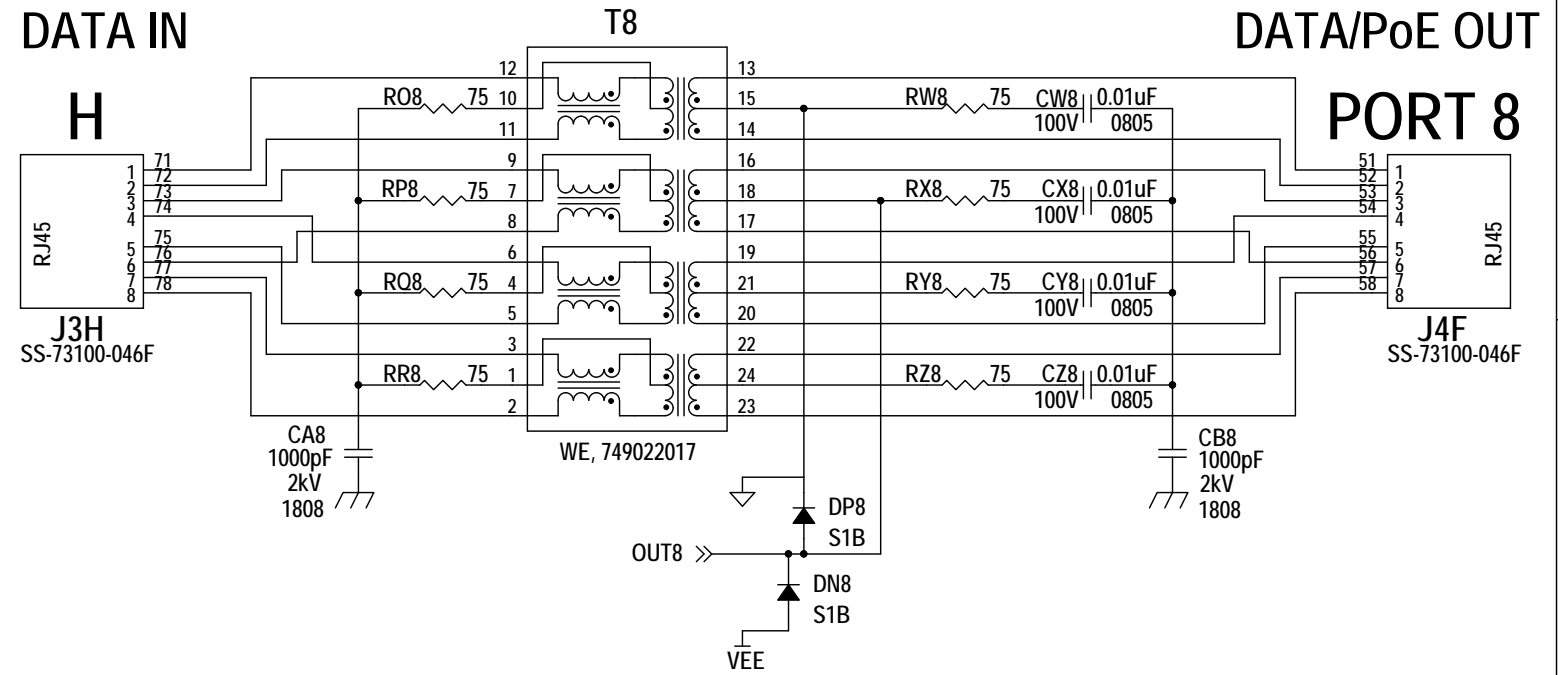
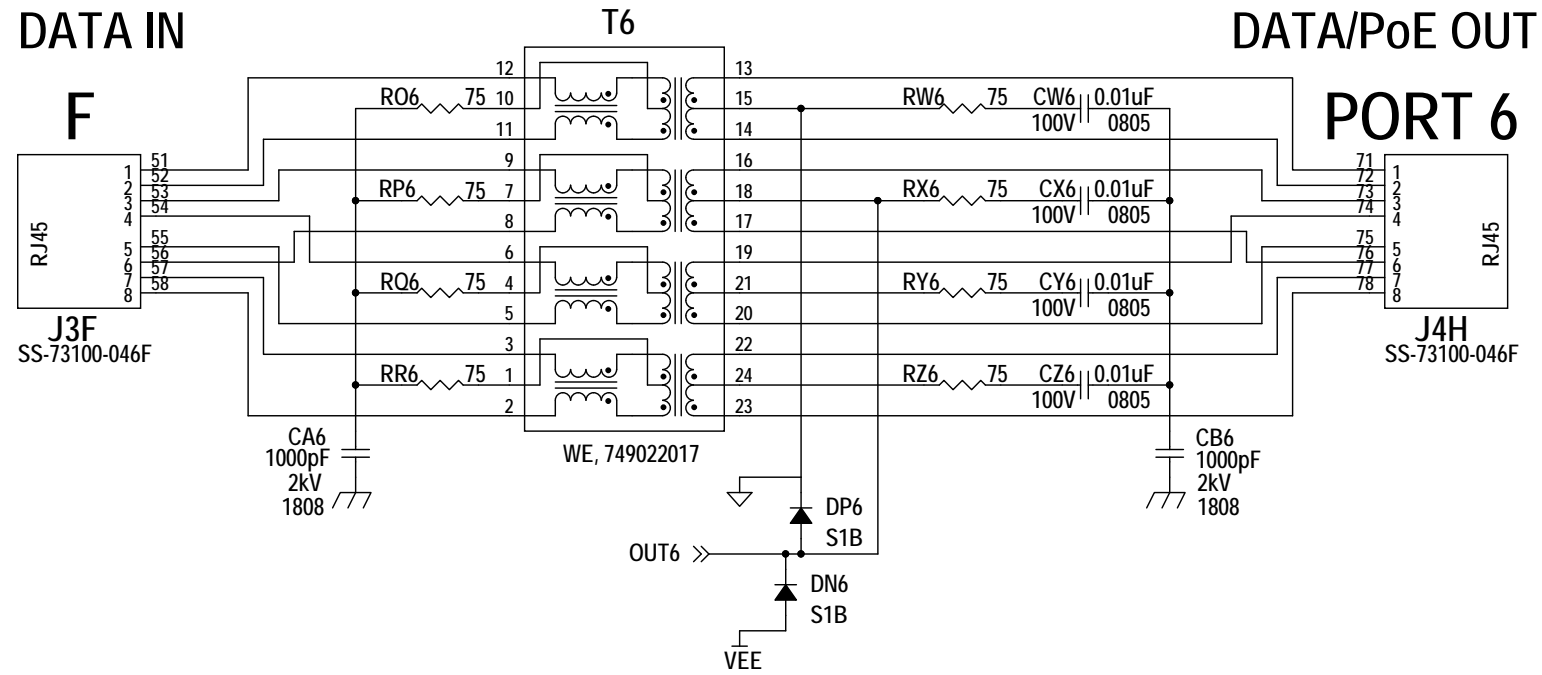


LOWER ROW



CUSTOMER NOTICE LINEAR TECHNOLOGY HAS MADE A BEST EFFORT TO DESIGN A CIRCUIT THAT MEETS CUSTOMER-SUPPLIED SPECIFICATIONS; HOWEVER, IT REMAINS THE CUSTOMER'S RESPONSIBILITY TO VERIFY PROPER AND RELIABLE OPERATION IN THE ACTUAL APPLICATION. COMPONENT SUBSTITUTION AND PRINTED CIRCUIT BOARD LAYOUT MAY SIGNIFICANTLY AFFECT CIRCUIT PERFORMANCE OR RELIABILITY. CONTACT LINEAR TECHNOLOGY APPLICATIONS ENGINEERING FOR ASSISTANCE.		APPROVALS PCB DES. KIM T. APP ENG. DILIAN R.		<p>1630 McCarthy Blvd. Milpitas, CA 95035 Phone: (408)432-1900 www.linear.com Fax: (408)434-0507 LTC Confidential-For Customer Use Only</p>	
THIS CIRCUIT IS PROPRIETARY TO LINEAR TECHNOLOGY AND SUPPLIED FOR USE WITH LINEAR TECHNOLOGY PARTS.				TITLE: SCHEMATIC 12-PORT IEEE802.3at PSE MOTHER BOARD	
SCALE = NONE		SIZE N/A	IC NO.	REV. 2	
DATE: Friday, September 04, 2015		SHEET 2 OF 4		DEMO CIRCUIT 1680B	

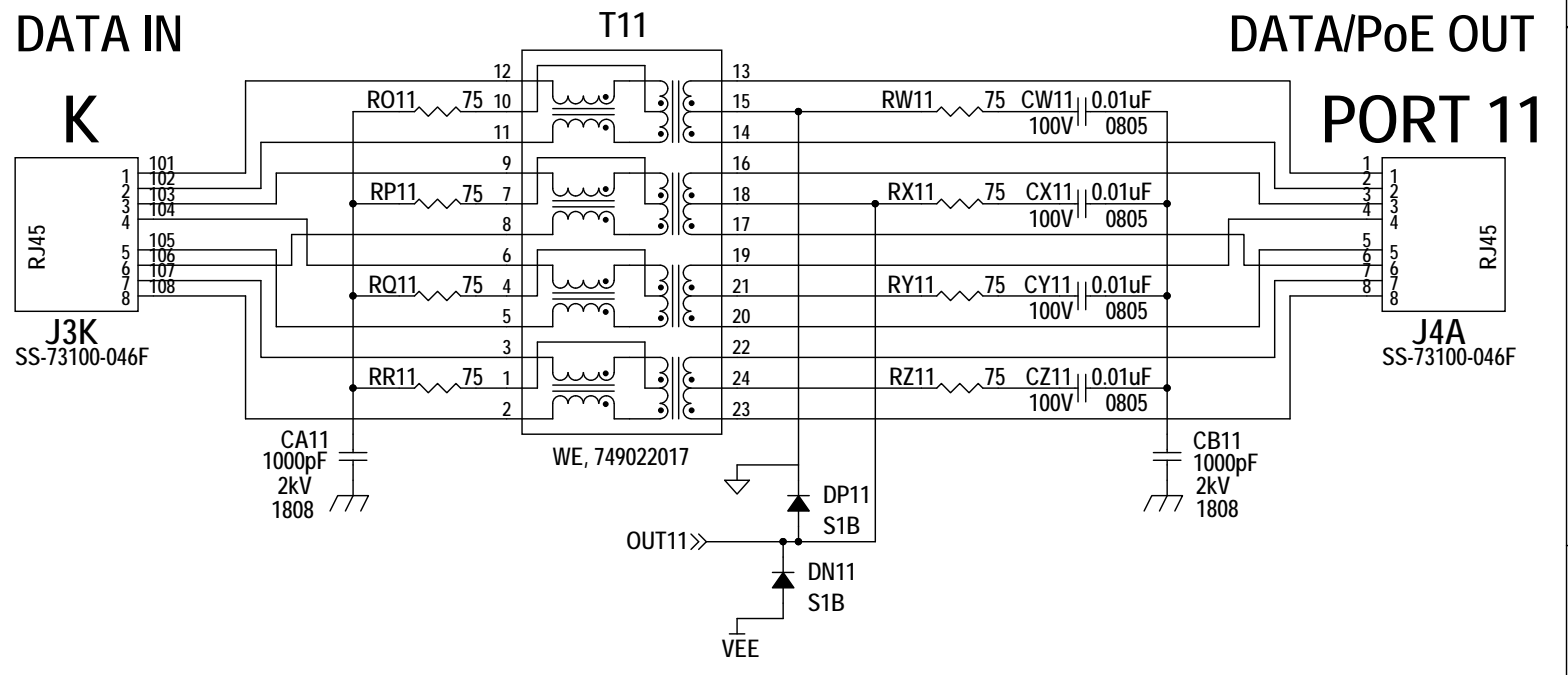
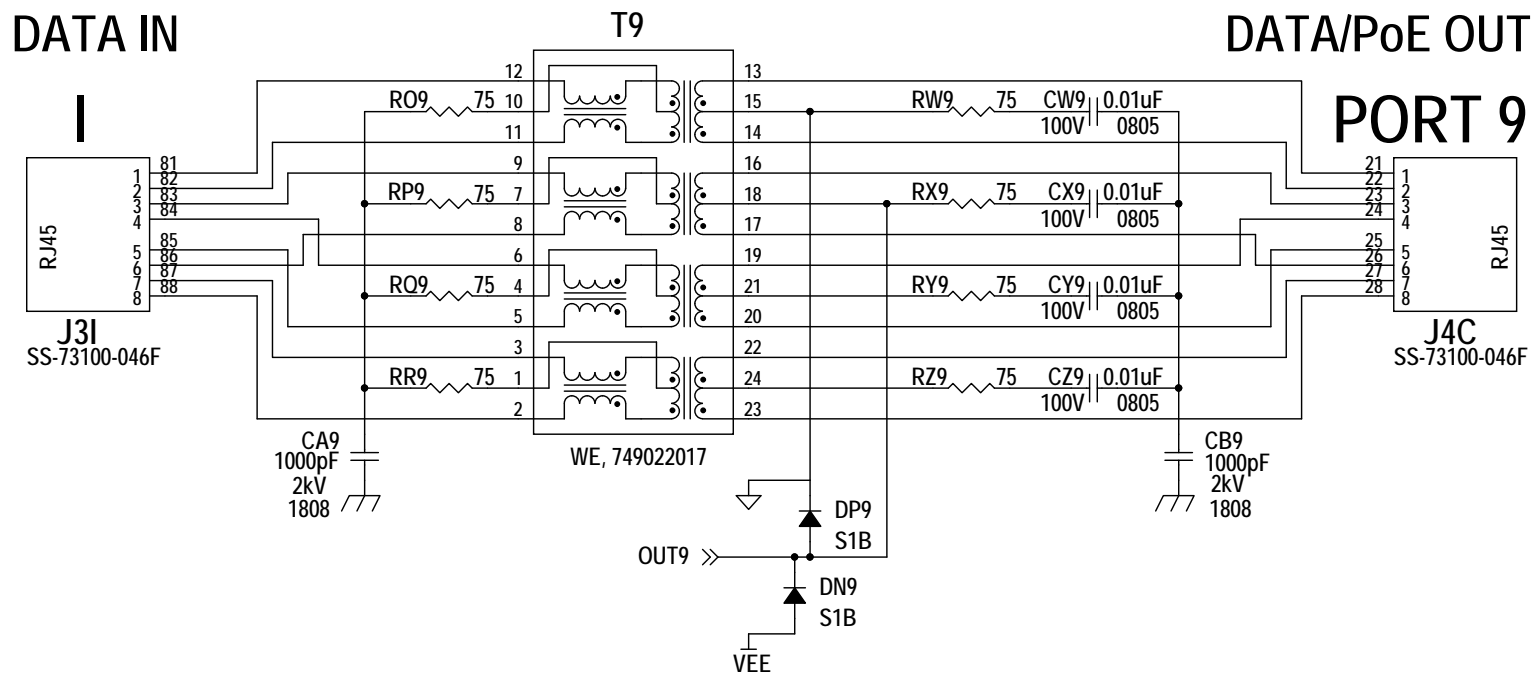
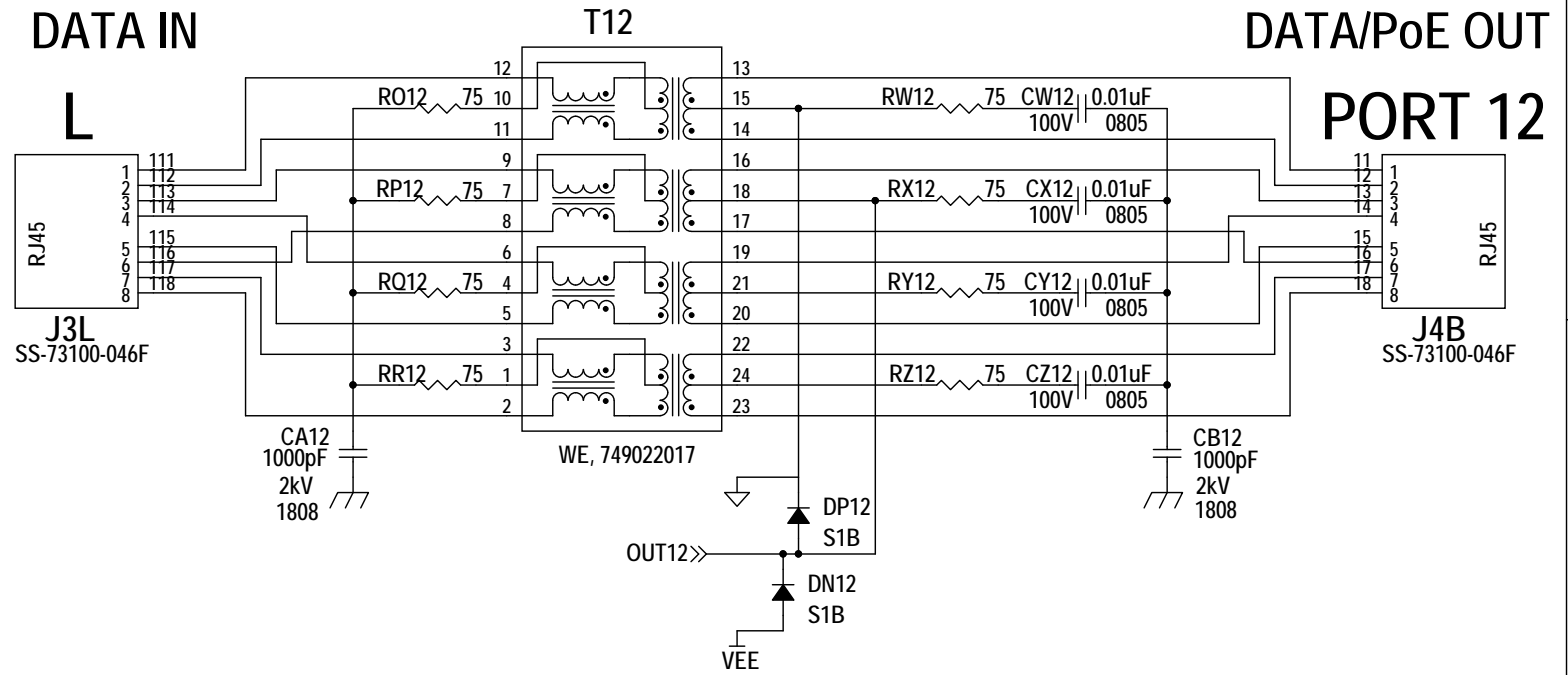
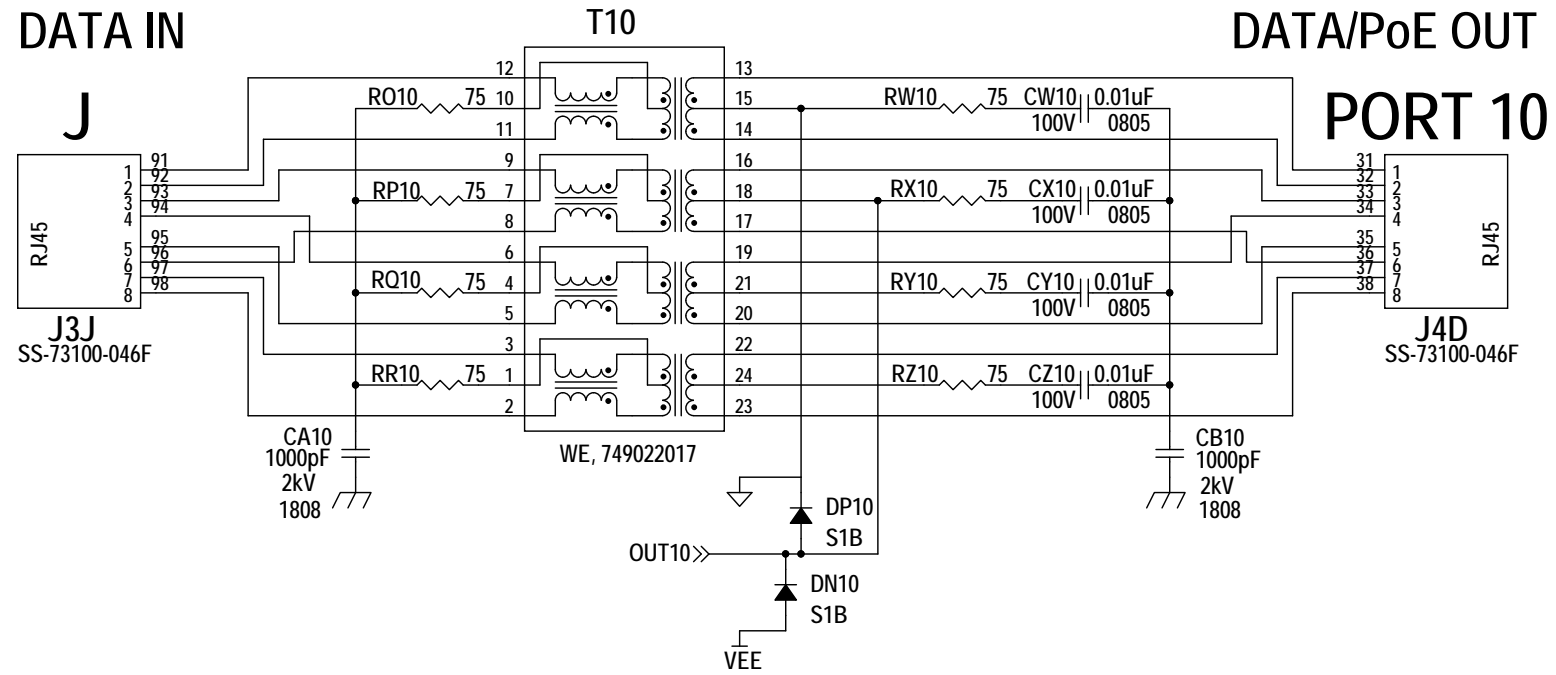
UPPER ROW



LOWER ROW

CUSTOMER NOTICE LINEAR TECHNOLOGY HAS MADE A BEST EFFORT TO DESIGN A CIRCUIT THAT MEETS CUSTOMER-SUPPLIED SPECIFICATIONS; HOWEVER, IT REMAINS THE CUSTOMER'S RESPONSIBILITY TO VERIFY PROPER AND RELIABLE OPERATION IN THE ACTUAL APPLICATION. COMPONENT SUBSTITUTION AND PRINTED CIRCUIT BOARD LAYOUT MAY SIGNIFICANTLY AFFECT PERFORMANCE OR RELIABILITY. CONTACT LINEAR TECHNOLOGY APPLICATIONS ENGINEERING FOR ASSISTANCE.		APPROVALS		<p>1630 McCarthy Blvd. Milpitas, CA 95035 Phone: (408)432-1900 www.linear.com Fax: (408)434-0507 LTC Confidential-For Customer Use Only</p>	
PCB DES.	KIM T.	APP ENG.	DILIAN R.		
THIS CIRCUIT IS PROPRIETARY TO LINEAR TECHNOLOGY AND SUPPLIED FOR USE WITH LINEAR TECHNOLOGY PARTS.		SCALE = NONE	DATE: Friday, September 04, 2015		SHEET 3 OF 4
		SIZE N/A	IC NO. DEMO CIRCUIT 1680B		REV. 2

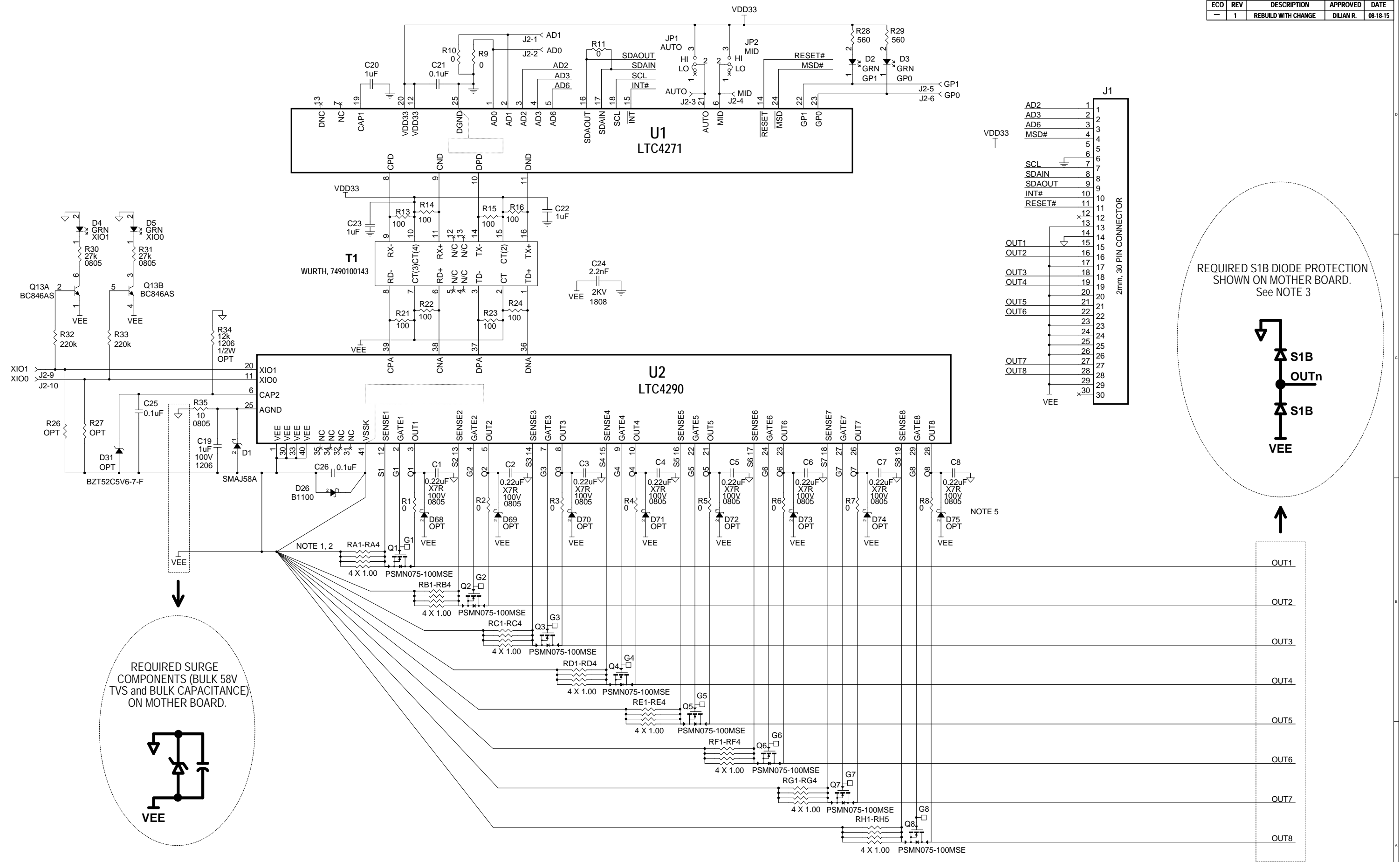
UPPER ROW



LOWER ROW

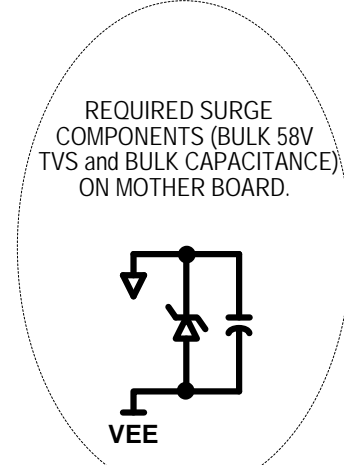
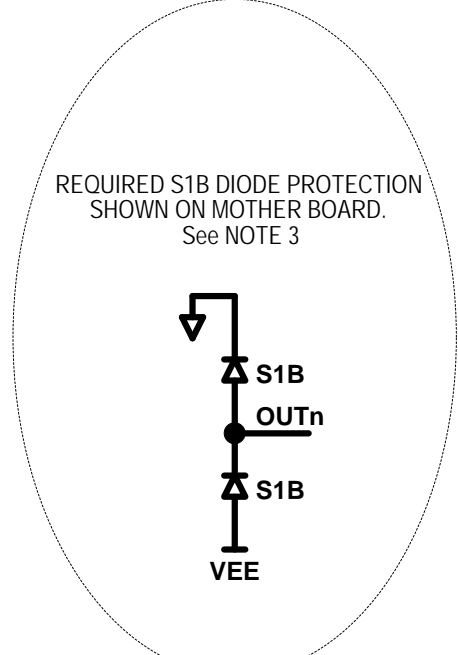
CUSTOMER NOTICE LINEAR TECHNOLOGY HAS MADE A BEST EFFORT TO DESIGN A CIRCUIT THAT MEETS CUSTOMER-SUPPLIED SPECIFICATIONS; HOWEVER, IT REMAINS THE CUSTOMER'S RESPONSIBILITY TO VERIFY PROPER AND RELIABLE OPERATION IN THE ACTUAL APPLICATION. COMPONENT SUBSTITUTION AND PRINTED CIRCUIT BOARD LAYOUT MAY SIGNIFICANTLY AFFECT PERFORMANCE OR RELIABILITY. CONTACT LINEAR TECHNOLOGY APPLICATIONS ENGINEERING FOR ASSISTANCE.		APPROVALS PCB DES. KIM T. APP ENG. DILIAN R.			1630 McCarthy Blvd. Milpitas, CA 95035 Phone: (408)432-1900 www.linear.com Fax: (408)434-0507 LTC Confidential-For Customer Use Only	
		TITLE: SCHEMATIC 12-PORT IEEE802.3at PSE MOTHER BOARD			SIZE N/A	IC NO. DEMO CIRCUIT 1680B
THIS CIRCUIT IS PROPRIETARY TO LINEAR TECHNOLOGY AND SUPPLIED FOR USE WITH LINEAR TECHNOLOGY PARTS.		SCALE = NONE		DATE: Friday, September 04, 2015		SHEET 4 OF 4

REVISION HISTORY				
ECO	REV	DESCRIPTION	APPROVED	DATE
-	1	REBUILD WITH CHANGE	DILIAN R.	08-18-15



J1
2mm, 30 PIN CONNECTOR

1	AD2
2	AD3
3	AD6
4	MSD#
5	VDD33
6	SCL
7	SDAIN
8	SDAOUT
9	INT#
10	RESET#
11	RESET#
12	RES
13	RES
14	RES
15	OUT1
16	OUT2
17	OUT3
18	OUT4
19	OUT5
20	OUT6
21	OUT7
22	OUT8
23	VEE
24	VEE
25	VEE
26	VEE
27	VEE
28	VEE
29	VEE
30	VEE



NOTE: UNLESS OTHERWISE SPECIFIED

1. ALL SENSE RESISTORS TIE TO VEE AT ONE COMMON POINT.
2. VSSK CONNECTS TO THE COMMON SENSE RESISTOR VEE POINT THROUGH AN ISOLATED KELVIN SENSE TRACE.
3. ONE S1B PROTECTION DIODE FROM VEE TO OUTn AND ONE S1B PROTECTION DIODE FROM OUTn TO AGND SHOWN ON MOTHER BOARD.
4. ALL RESISTORS AND CAPACITORS ARE 0603.
5. OPTIONAL REPLACE R1- R8 WITH 10 OHMS AND D68 - D75 WITH BAT41JFILM FOR INCREASED SURGE PROTECTION.

CUSTOMER NOTICE		APPROVALS		LINEAR TECHNOLOGY	
<small>LINEAR TECHNOLOGY HAS MADE A BEST EFFORT TO DESIGN A CIRCUIT THAT MEETS CUSTOMER SUPPLIED SPECIFICATIONS. HOWEVER, IT REMAINS THE CUSTOMER'S RESPONSIBILITY TO VERIFY PROPER AND RELIABLE OPERATION IN THE ACTUAL APPLICATION. COMPONENT SUBSTITUTION AND PRINTED CIRCUIT BOARD LAYOUT MAY SIGNIFICANTLY AFFECT CIRCUIT PERFORMANCE OR RELIABILITY. CONTACT LINEAR TECHNOLOGY APPLICATIONS ENGINEERING FOR ASSISTANCE.</small>		PCB DES. KIM T.	APP ENG. DILIAN R.	1630 McCarthy Blvd. Milpitas, CA 95035 Phone: (408)432-1900 www.linear.com Fax: (408)434-6507 LTC Confidential-For Customer Use Only	
<small>THIS CIRCUIT IS PROPRIETARY TO LINEAR TECHNOLOGY AND SUPPLIED FOR USE WITH LINEAR TECHNOLOGY PARTS.</small>		SCALE = NONE	DATE: Tuesday, August 18, 2015	8-PORT PSE DAUGHTER CARD WITH DIGITAL ISOLATION DEMO CIRCUIT 1842B	
SIZE N/A	IC NO. LTC4290BIJ, LTC4271IUF	REV. 1	SHEET 1 OF 1		