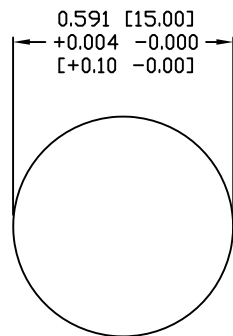
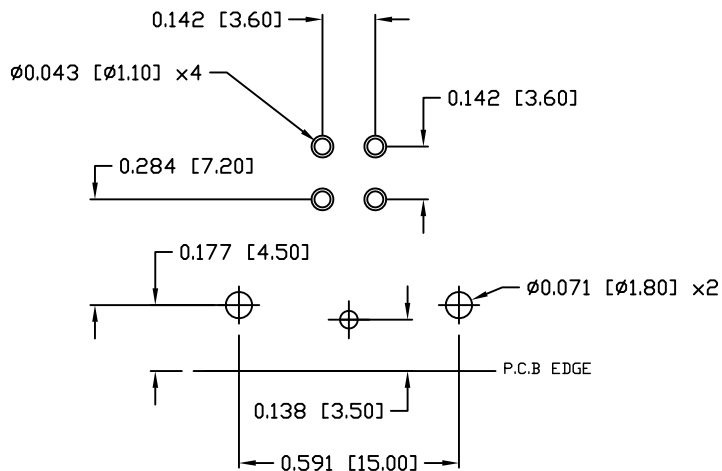


NOTE:

| | |
|------------------------|---------------------|
| MATERIAL | |
| HOUSING: | PBT UL94V-0, BLACK |
| CONTACT: | BRASS |
| NUT: | BRASS |
| O-RING: | EPDM, BLACK |
| BACK HOUSING: | PBT, UL94V-0, BLACK |
| DOWN HOUSING: | PBT, UL94V-0, BLACK |
| FINISH | |
| CONTACT: | GOLD PLATED |
| NUT: | NICKEL PLATED |
| | 60u" TO 100u" |
| SHELL: | NICKEL PLATED |
| | 60u" TO 100u" |
| ELECTRICAL | |
| RATED CURRENT: | 4A |
| RATED VOLTAGE: | 250V |
| INSULATION RESISTANCE: | 100 MΩhms MIN. |
| CONTACT RESISTANCE: | 10 mΩhms MAX. |
| WATER PROOF: | IP67 |
| ENVIRONMENT | |
| OPERATION TEMPERATURE: | -40°C TO +85°C |



PANEL CUT-OUT

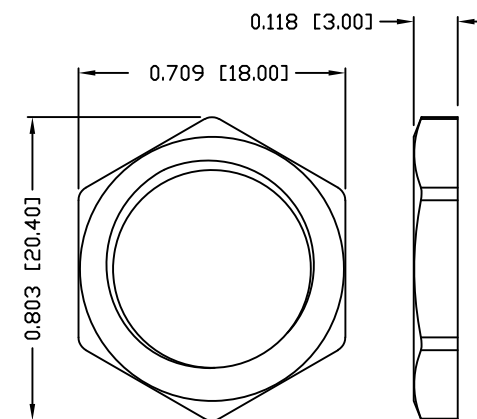
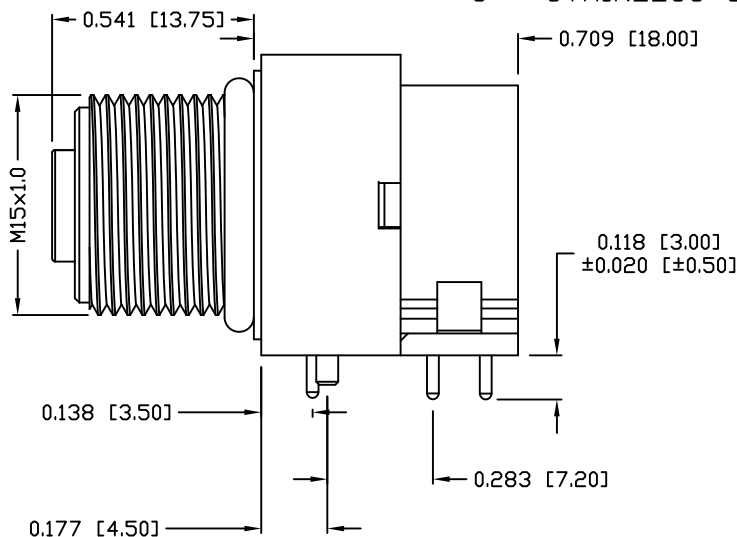
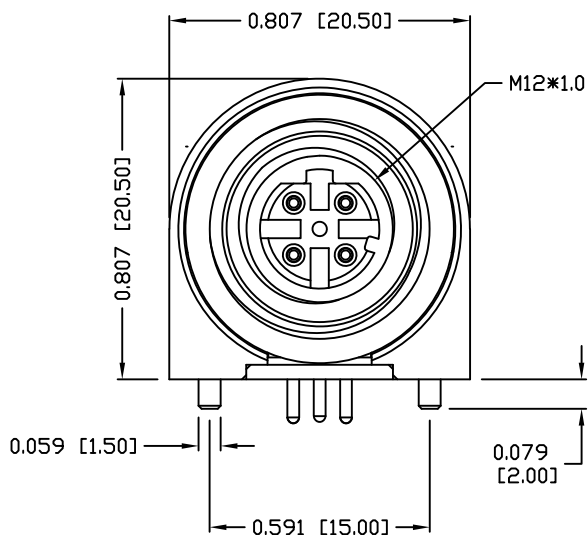


P.C.B. LAYOUT

861-D04-213R00Y

3 = BRASS/NICKEL SHELL & NUT
 S = STAINLESS STEEL SHELL & NUT

1 = GOLD FLASH
 4 = 10u" GOLD



RoHS COMPLIANT

UNITS = INCHES [MM]

DO NOT SCALE FROM DRAWING

NUT



THESE DRAWINGS AND SPECIFICATIONS ARE THE PROPERTY OF NorComp AND SHALL NOT BE REPRODUCED, COPIED OR USED AS THE BASIS FOR THE MANUFACTURE OR SALE OF APPARATUS WITHOUT WRITTEN PERMISSION.

DRAWN: M. SIGMON

DATE: 07-26-16

NorComp

SCALE: NTS

SHEET 1 OF 1

REV 3

DWG NO. 861-D04-213R00Y