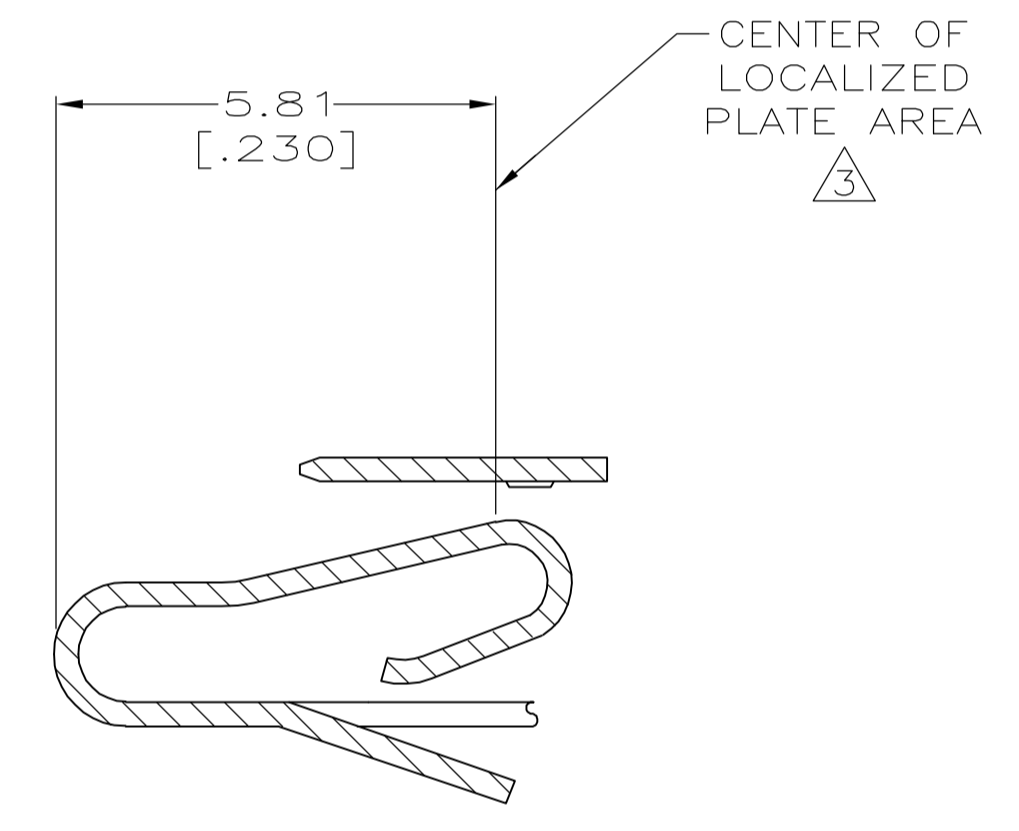
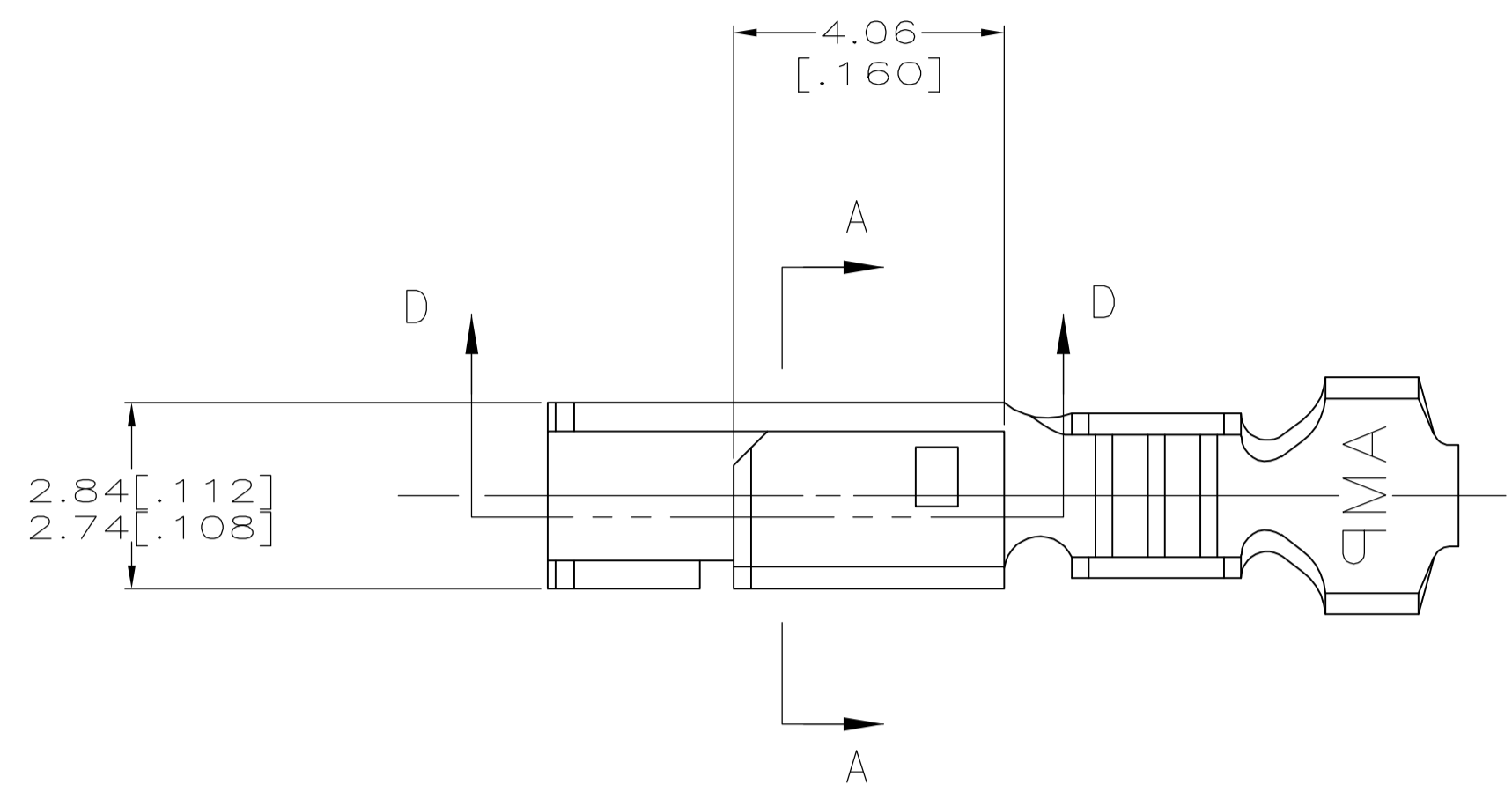
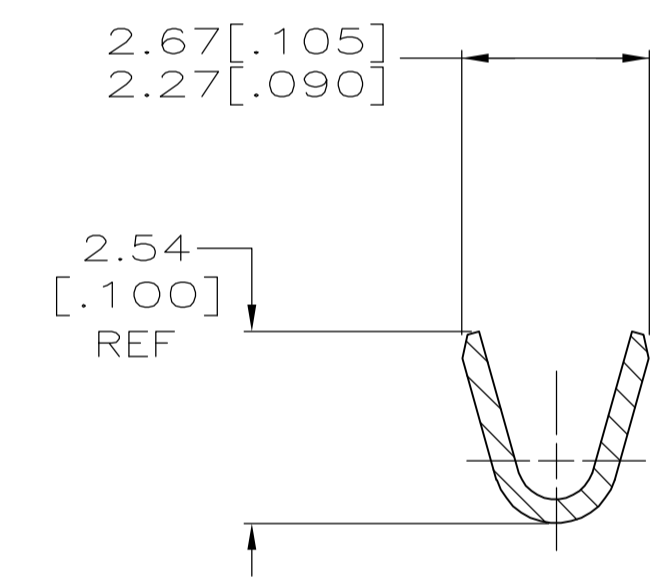
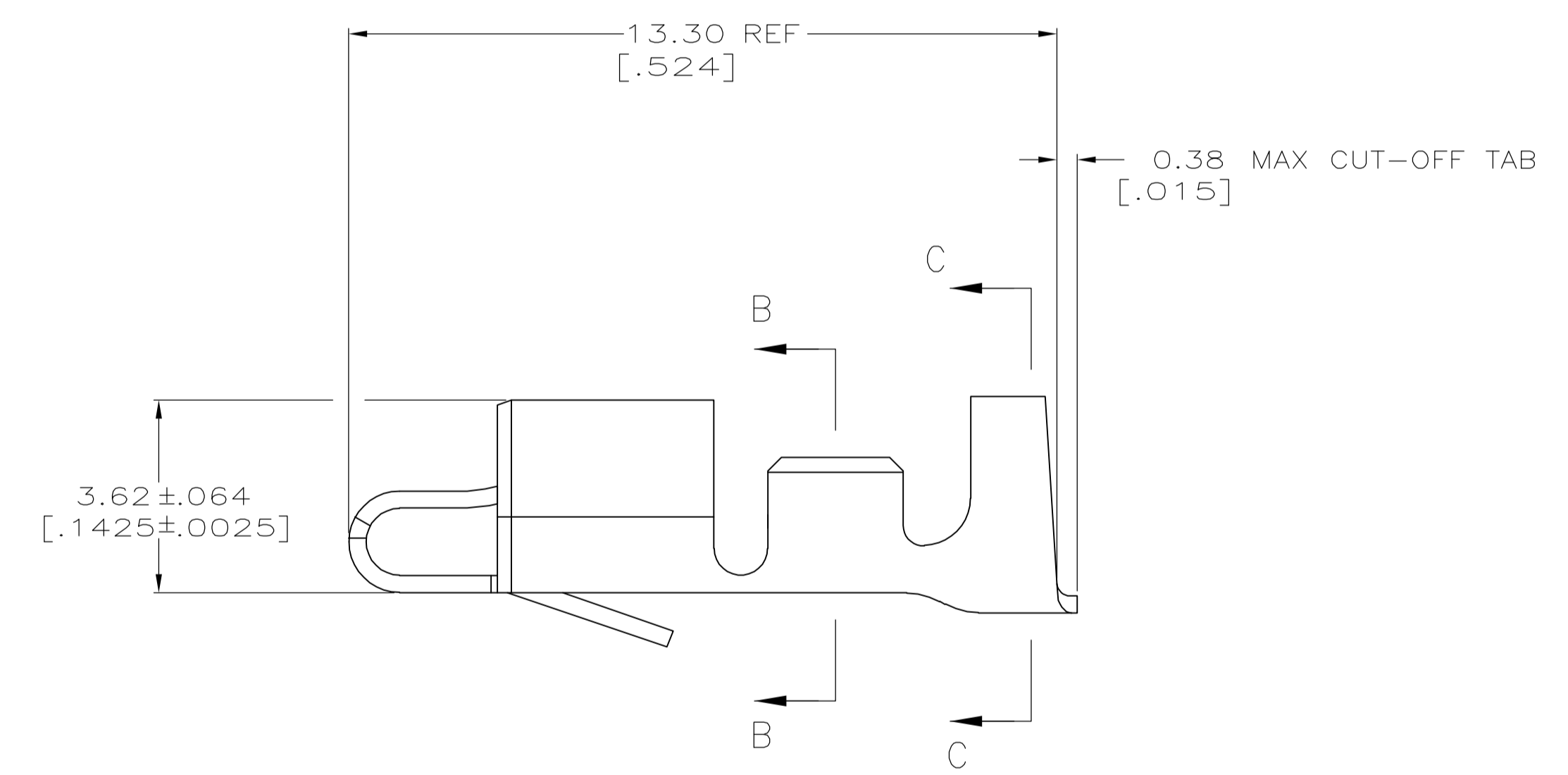


LOC		DIST		REVISIONS			
P	LTR	DESCRIPTION	DATE	DWN	APVD		
A		REVISED PER 063B-1213-04	9/9/05	SS	JE		

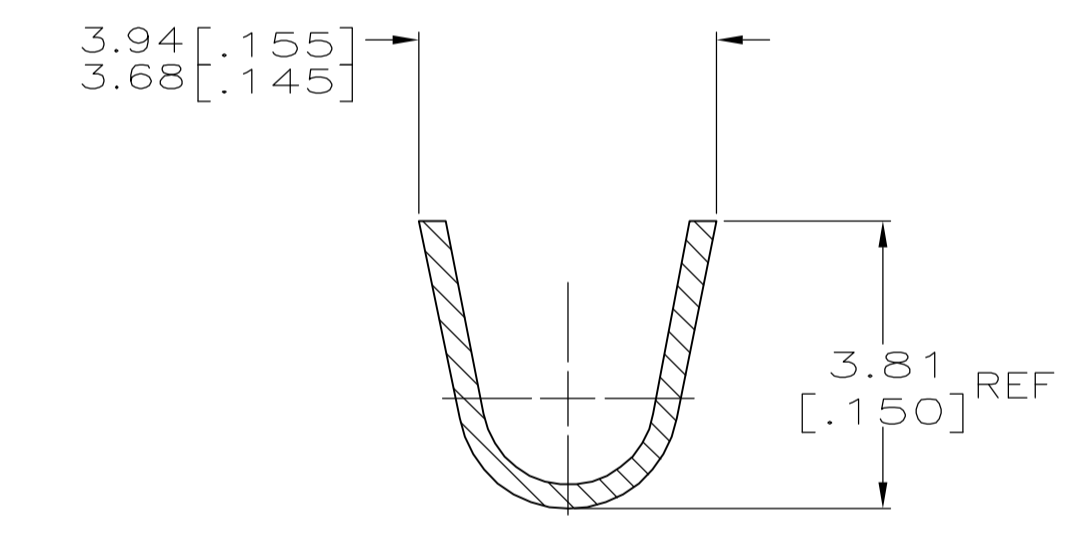
- INSULATION RANGE: 1.78-2.84 [.070-.112]
 WIRE RANGE: 0.2-0.9 mm² (24-18) AWG.
- 0.00203 [.000080] MIN BRIGHT TIN-LEAD OVER
 0.00127 [.000050] MIN NICKEL.
- 0.00076 [.000030] MIN THICK GOLD STRIPES IN
 LOCALIZED PLATE AREA ON BEAM AND DIMPLE OVER
 0.00127 [.000050] MIN THICK NICKEL OVER ENTIRE
 CONTACT.
- DIMENSIONS IN BRACKETS ARE IN INCHES.
- FOR USE ONLY WITH LID STYLE HOUSING.
- 0.00203 [.000080] MIN BRIGHT TIN OVER
 0.00127 [.000050] MIN NICKEL.



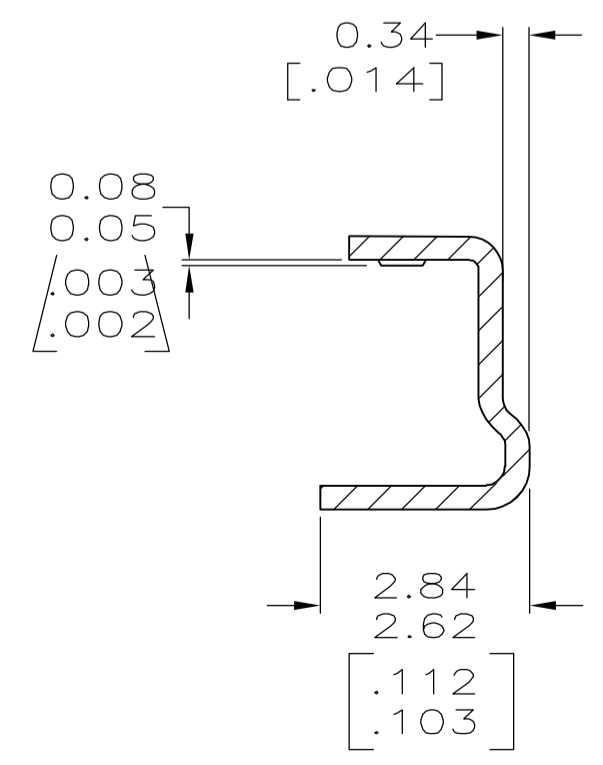
SECTION D-D



SECTION B-B

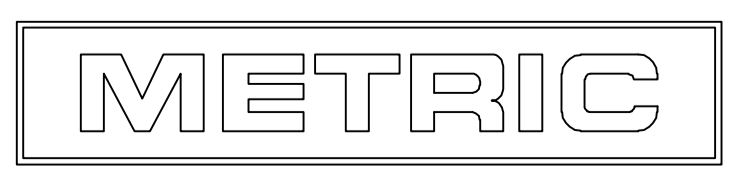


SECTION C-C



SECTION A-A
 ROTATED 90° CCW

FINISH	POST PLATE	PRE-PLATE		
6	—	—	PHOS BRONZE	3-647409-1
—	3	—	PHOS BRONZE	647409-2
2	—	—	PHOS BRONZE	647409-1



THIS DRAWING IS A CONTROLLED DOCUMENT.

DIMENSIONS: mm [INCHES]	TOLERANCES UNLESS OTHERWISE SPECIFIED: 0. PLC ± - 1. PLC ± - 2. PLC ± - 3. PLC ± .005 4. PLC ± - ANGLES ± ± -	DWN K. WHITAKER 15-JAN-2001	15-JAN-2001		Tyco Electronics Corporation Harrisburg, Pa 17105-3608
MATERIAL SEE TABLE	FINISH -	CHK J. ELLIS 15-JAN-2001	15-JAN-2001		NAME J. ELLIS
APPROVALS		APVD J. ELLIS	15-JAN-2001	PRODUCT SPEC 108-1049	SIZE 114-1021
WEIGHT -		CUSTOMER DRAWING		SCALE 10:1	RESTRICTED TO -

SCALE 10:1 SHEET 1 OF 1 REV A