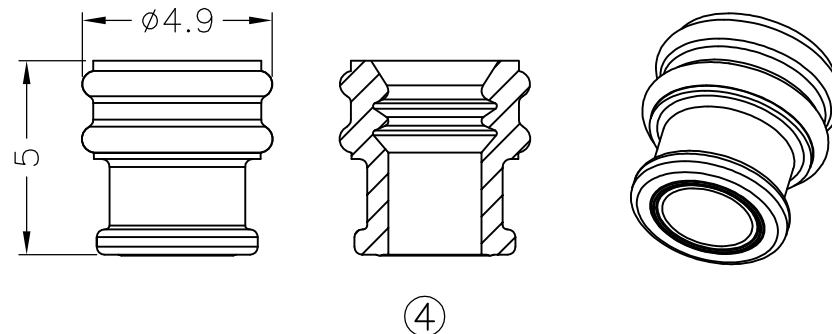
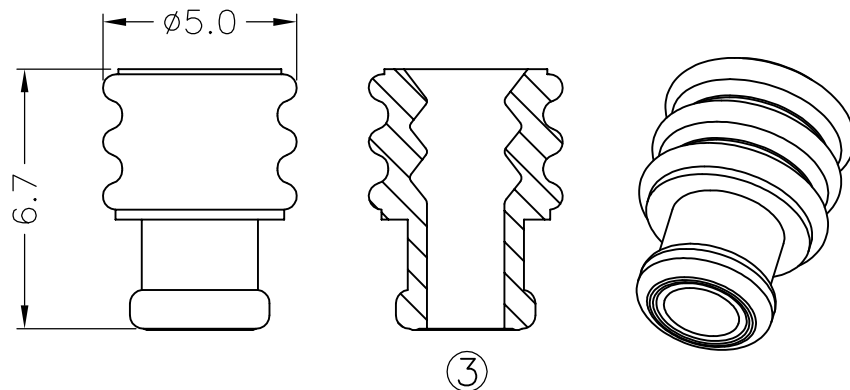
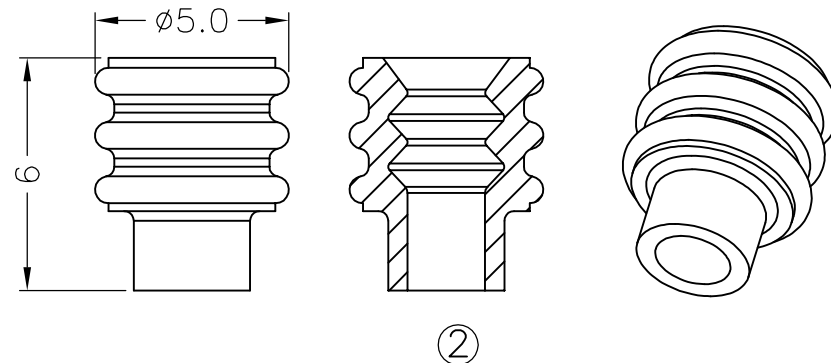
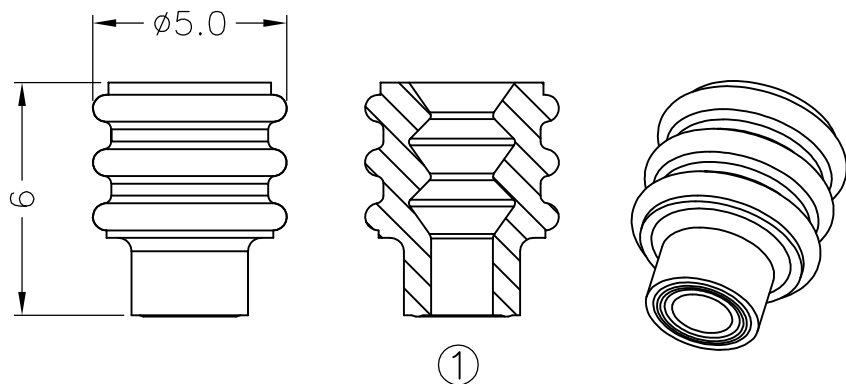


THIS IS A C.A.D. GENERATED DRAWING
DO NOT MAKE MANUAL REVISIONS TO MASTER.



* UNLESS OTHERWISE SPECIFIED TOLERANCES
ON DECIMAL IS:
UNIT: MM
DIM TOL DIM TOL
X. ±0.50 X' ±5"
X.X ±0.38 X.X' ±4"
X.XX ±0.25 X.XX' ±3"

ISSUE NUMBER	
ORIGINAL	①



4	570-260-004	Wire seal	Silicone rubber	ø2.7~3.1	Brown	1,000
3	570-260-003	Wire seal	Silicone rubber	ø2.1~2.7	Blue	1,000
2	570-260-002	Wire seal	Silicone rubber	ø2.1~2.7	Blue	1,000
1	570-260-001	Wire seal	Silicone rubber	ø1.7~2.1	Black	1,000
ITEM	PART NUMBER	DESCRIPTION	MATERIALS	INS. DIA	COLOR	PCS



THIS SERIES FULLY CONFORMS TO THE
EUROPEAN UNION DIRECTIVES 2002/95/EC
AND 2002/96/EC FOR RoHS COMPLIANCY.

570 SERIES WIRE SEAL

EDAC EDAC INC
TORONTO, ONTARIO
CANADA
YOUR CONNECTION TO QUALITY & SERVICE

THESE DRAWINGS AND SPECIFICATIONS
ARE THE PROPERTY OF EDAC INC., AND
SHALL NOT BE REPRODUCED, OR COPIED
OR USED AS THE BASIS FOR THE
MANUFACTURE OR SALE OF APPARATUS
WITHOUT WRITTEN PERMISSION.

ACAD REFERENCE NO.		570-260-00X	
DRAWN: Haley Hu		DATE: SEP.25/15	
PART NUMBER			
570-260-00X			
DRAWING NUMBER			ISSUE
570-260-00X			1