

SAFETY ORGANIZATIONS

THIS FILTER HAS BEEN FORMALLY RECOGNIZED, CERTIFIED OR APPROVED BY THE LISTED AGENCY. THEREFORE, ALL TEST/REQUIREMENTS SPECIFIED IN THE LATEST REVISION OF THE FOLLOWING AGENCY STANDARDS HAVE BEEN MET:

- UL RECOGNIZED: UL 1283
- SEV APPROVED: IEC 939
- CSA CERTIFIED: CSA 22.2, # 8
- SEMKO APPROVED: SEN 432901
- VDE APPROVED: VDE 565-3

OPERATING SPECIFICATIONS

LINE CURRENT/VOLTAGE: 3 AMP, 120/250 VAC,
3 AMP/40°C, 250 VAC

LINE FREQUENCY: 50-60Hz

MAXIMUM LEAKAGE CURRENT,

EACH LINE TO GROUND: 0.22 mA @ 120V 60Hz
0.38 mA @ 250V 50Hz

OPERATING AMBIENT TEMP. RANGE: -10°C TO +40°C @ RATED CURRENT, I_r.

IN AN AMBIENT, T₀, HIGHER THAN 40°C, THE MAXIMUM OPERATING CURRENT, I₀, IS AS FOLLOWS:

$$I_0 = I_r \sqrt{\frac{85 - T_0}{45}}$$

RELIABILITY SPECIFICATIONS:

STORAGE TEMPERATURE: -40°C TO +85°C
HUMIDITY: 21 DAYS @ 40°C 95% RH.
CURRENT OVERLOAD TEST: 6 TIMES I_r FOR 8 SECONDS

TEST SPECIFICATIONS:

INDUCTANCE: 1.45 mH NOMINAL
CAPACITANCE: (MEASURED @ 1KHz, 0.250VAC MAX., 25°C±1°C)
LINE TO GROUND: 0.0058 μF ±20%
LINE TO LINE: 0.0485 μF ±20%
DISCHARGE RESISTOR: 1.5 MΩ
L/G AND L/L I.R.
NO DISCHARGE RESISTOR: 6000MΩ (MIN.) @ 100VDC, 20°C AND 50% RH

RECOMMENDED RECEIVING INSPECTION HIPOT:

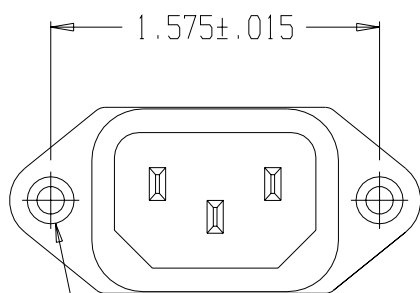
LINE TO GROUND: 1500VAC OR 2250VDC FOR 1 MINUTE
LINE TO LINE: 1450VDC FOR 1 MINUTE

FILTER APPROVAL:

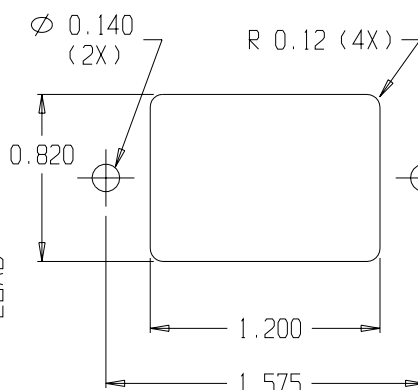
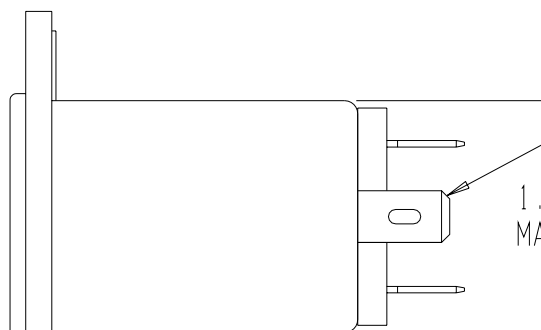
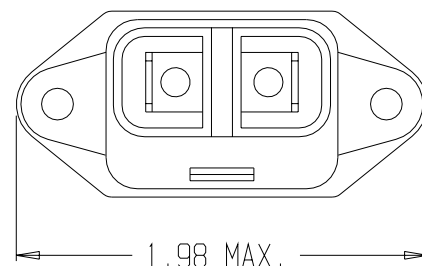
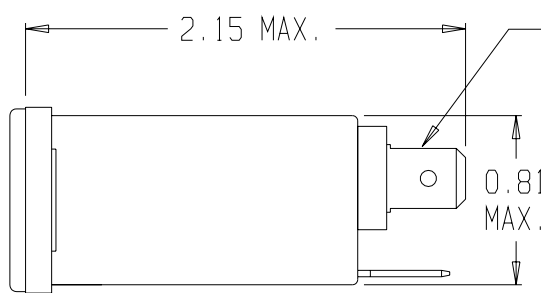
THE BEST WAY TO SELECT AND QUALIFY A FILTER IS FOR YOUR ENGINEERING TO TEST THE UNIT IN YOUR EQUIPMENT.

CATALOG # 3EEB1

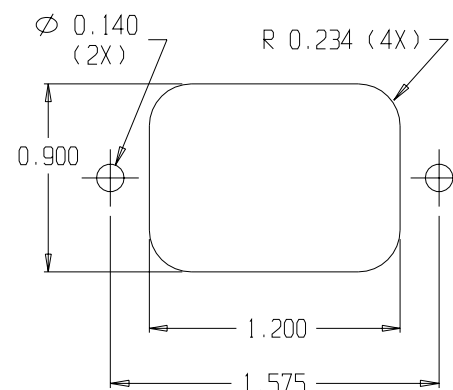
ECN #	APPRVD.	DATE



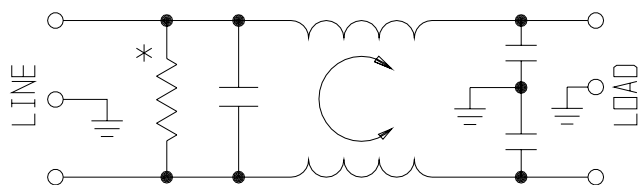
Ø 0.132±.01 WITH
Ø 0.260 REF X 90°
COUNTERSUNK HOLE FOR
#4 FLAT HEAD SCREW (2X)



PANEL CUTOUT (FRONT MOUNT)
TOLERANCE ±.005



PANEL CUTOUT (BACK MOUNT)
TOLERANCE ±.005



* RESISTOR ADDED TO PRODUCT BUILT AFTER 3-30-92 (9212).

50Ω - 50Ω (MINIMUM) INSERTION LOSS

FREQUENCY MHz	.05	.10	.15	.50	1	3	5	10	30
COMMON dB	10	15	19	30	36	-	48	50	47
DIFF. dB	1	2	11	14	25	38	44	40	

THIRD ANGLE PROJECTION



UNLESS OTHERWISE SPECIFIED,
TOLERANCE TO BE ±.025
MATERIAL & FINISH: AS SUPPLIED

This document is proprietary to CORCOM INC. and is not to be reproduced nor used for manufacturing purposes except on CORCOM'S prior written consent.



POWER LINE FILTER

CAD FILE: C:\CK\CD\3EEB100	DATE: 3/24/97	CATALOG NO.	REV.
SCALE: NTS	DRG: KAW	3EEB1	00
DRW. BY: JF			