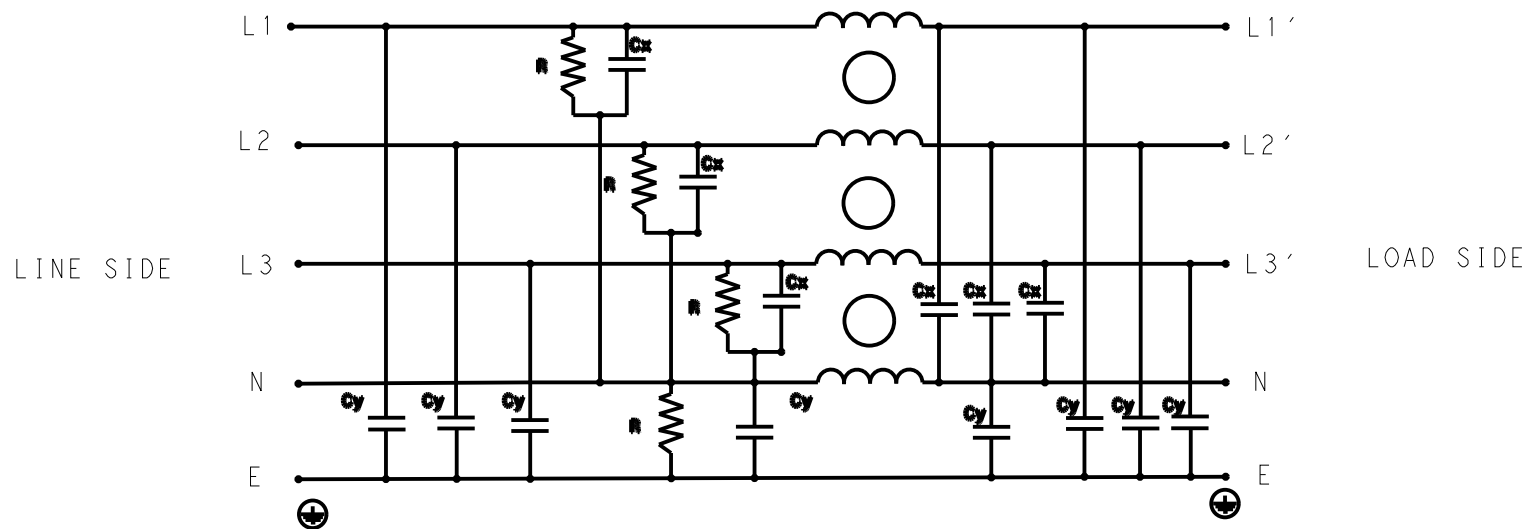


REVISIONS

P	LTR	DESCRIPTION	DATE	DWN	APVD
	A	INITIAL RELEASE	12APR2021	BS	CB



SCHEMATIC

SAFETY ORGANIZATIONS
 THIS FILTER WILL BE FORMALLY RECOGNIZED, CERTIFIED OR APPROVED BY THE LISTED AGENCY. THEREFORE, ALL TEST/REQUIREMENTS SPECIFIED IN THE LATEST REVISION OF THE FOLLOWING AGENCY STANDARDS WILL BE MET:

UL APPROVED 20A 440V 50Hz/60Hz 40°C
 CSA PENDING 20A 440V 50Hz/60Hz 40°C

OPERATING SPECIFICATION
 LINE CURRENT/VOLTAGE: 20A, 440VAC
 LINE FREQUENCY: 50/60Hz

MAXIMUM LEAKAGE CURRENT: 8.5mA @ 230VAC, 50Hz
 OPERATING AMBIENT TEMPERATURE RANGE @ RATED CURRENT: -25°C TO +40°C

IN AN AMBIENT, T_a, HIGHER THAN 40°C, THE MAXIMUM OPERATING CURRENT, I_o, IS AS FOLLOWS:

$$I_o = I_r \sqrt{\frac{85 - T_a}{45}}$$

RELIABILITY SPECIFICATIONS
 STORAGE TEMPERATURE: -40°C TO +85°C
 HUMIDITY: 21 DAYS @ 40°C AND 95% RH

TEST SPECIFICATIONS
 INDUCTANCE, NOMINAL: 4mH

CAPACITANCE @ 1kHz
 LINE TO GROUND, NOMINAL: 1.86µF
 NEUTRAL TO GROUND, NOMINAL: 2.2µF
 LINE TO NEUTRAL, NOMINAL: 10µF

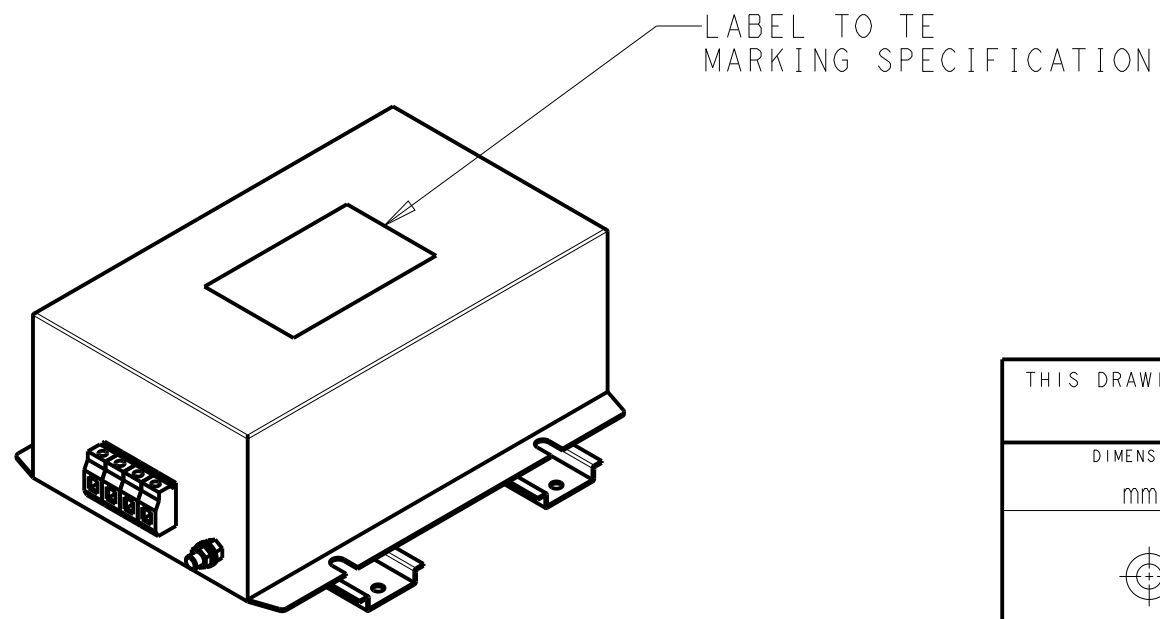
DISCHARGE RESISTOR
 L/L I.R. 2MΩ 1W
 L/N I.R. 1MΩ 1W
 L/G I.R. 2MΩ 1W
 N/G I.R. 1MΩ 1W
 IR (NO DISCHARGE RESISTOR) 20°C, 50% RH AND 100VDC, MIN: 6MΩ

RECOMMENDED RECEIVING INSPECITON HIPOT
 LINE TO GROUND FOR 1 MINUTE: 2632VDC
 LINE TO LINE FOR 1 MINUTE: 1892VDC
 LINE TO NEUTRAL FOR 1 MINUTE: 1093VDC

FILTER APPROVAL
 THE BEST WAY TO SELECT AND QUALIFY A FILTER IS FOR YOUR ENGINEERING TO TEST THE UNIT IN YOUR EQUIPMENT.

TYPICAL INSERTION LOSS
 COMMON MODE 50/50Ω; DIFFERENTIAL MODE 50/50Ω

MHz	0.01	0.05	0.15	0.5	1	3	5	10	30
CM	55	57	60	51	45	38	30	28	32
DM	35	32	52	50	47	36	33	30	25



THIS DRAWING IS A CONTROLLED DOCUMENT.		DWN 12APR2021 BAPAT SAHAS		
DIMENSIONS: mm		CHK 12APR2021 CHRIS BOLLE		
TOLERANCES UNLESS OTHERWISE SPECIFIED:		APVD 12APR2021 CHRIS BOLLE	NAME POWER LINE FILTER FOR DIN 35 RAIL INSTALLATION 20KEPS10AFPWHM	
0 PLC ±.5		PRODUCT SPEC	SIZE	
1 PLC ±0.5		APPLICATION SPEC	CAGE CODE	
2 PLC ±0.40		WEIGHT	DRAWING NO	
3 PLC ±0.130		CUSTOMER DRAWING	A300779	
4 PLC ±0.0500		SCALE 1:3	G-8-1609968-9	
ANGLES ±.		SHEET 1 OF 2	RESTRICTED TO	
MATERIAL		REV A		
FINISH				

© 2021 TE Connectivity. All Rights Reserved.

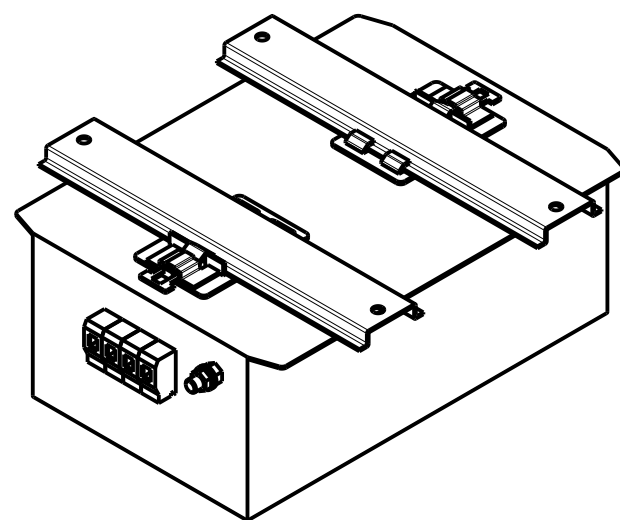
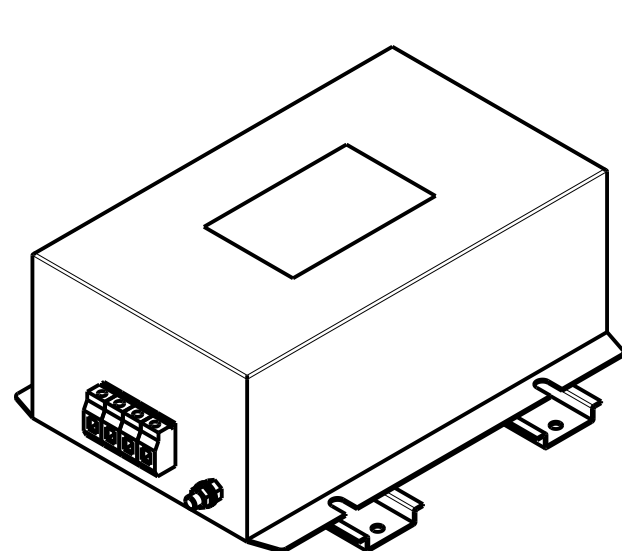
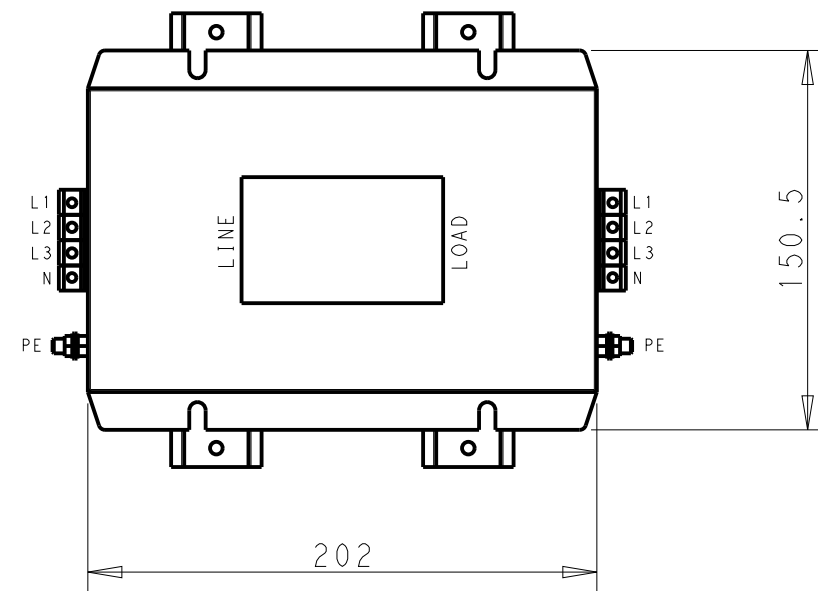
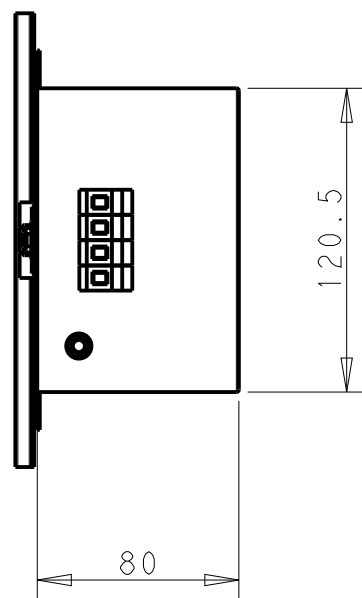
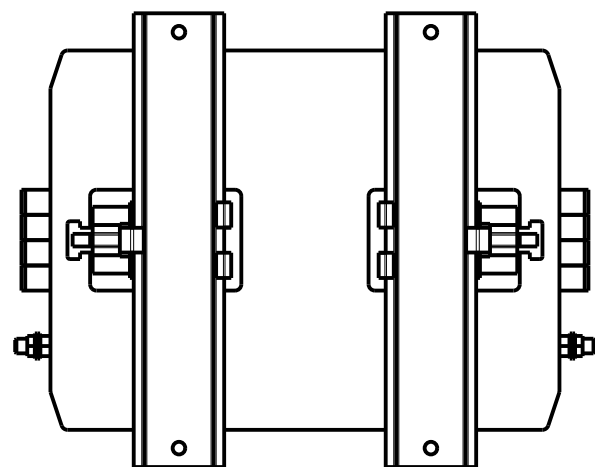
NOTE 1 GROUND CONNECTION:
 FOR ELECTRICAL SAFETY AND FILTER PERFORMANCE
 UNIT MUST HAVE A GOOD GROUND CONNECTION.
 TORQUE OUTER TERMINAL SCREWS: 0.5Nm / 4.5 in.lbs
 TORQUE GROUND NUTS: 2.5-3Nm

NOTE 2 INPUT OUTPUT CONNECTION TERMINAL
 AWG SIZE: 26-12 AWG
 WIRE SECTION: 4 mm²
 THREADED BOLT SIZE FOR GROUND: M6

NOTE 3 SUPPLIED WITH DIN RAIL BRACKET

NOTE 4 DRAWINGS SHOWS DIN RAIL FOR REFERENCE ONLY

REVISIONS					
P	LTR	DESCRIPTION	DATE	DWN	APVD
		SEE SHEET 1			



DIN RAIL CHANNEL

DIN 35 BRACKET

FRONT SIDE

REAR SIDE

THIS DRAWING IS A CONTROLLED DOCUMENT.

DIMENSIONS: mm	TOLERANCES UNLESS OTHERWISE SPECIFIED:
	0 PLC ±-
	1 PLC ±0.5
	2 PLC ±0.40
	3 PLC ±0.130
	4 PLC ±0.0500
	ANGLES ±-
MATERIAL	FINISH
-	-
-	-

DWN	12APR2021
BAPAT SAHAS	
CHK	12APR2021
CHRIS BOLLE	
APVD	12APR2021
CHRIS BOLLE	
PRODUCT SPEC	-
APPLICATION SPEC	-
WEIGHT	-
CUSTOMER DRAWING	

TE TE Connectivity

NAME POWER LINE FILTER FOR DIN 35 RAIL INSTALLATION 20KEPS10AFPWHM				RESTRICTED TO
SIZE	CAGE CODE	DRAWING NO		
A3	00779	C-8-1609968-9		
SCALE	SHEET	OF	REV	
1:3	2	2	A	