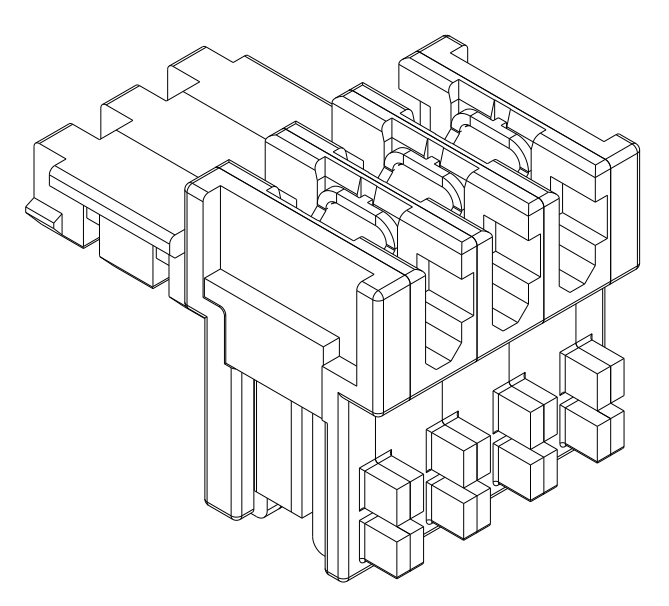
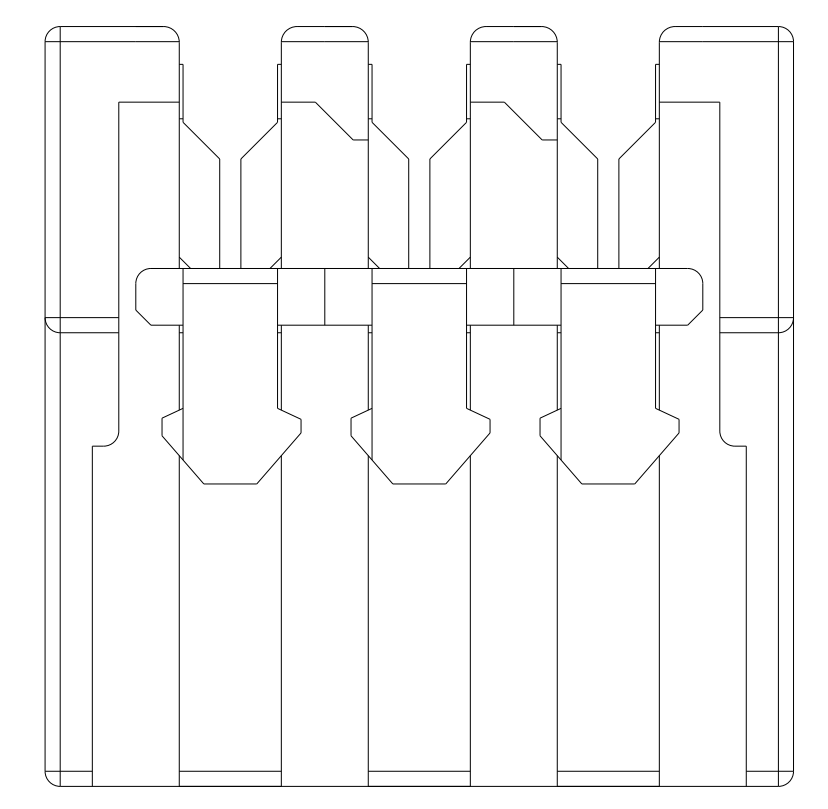
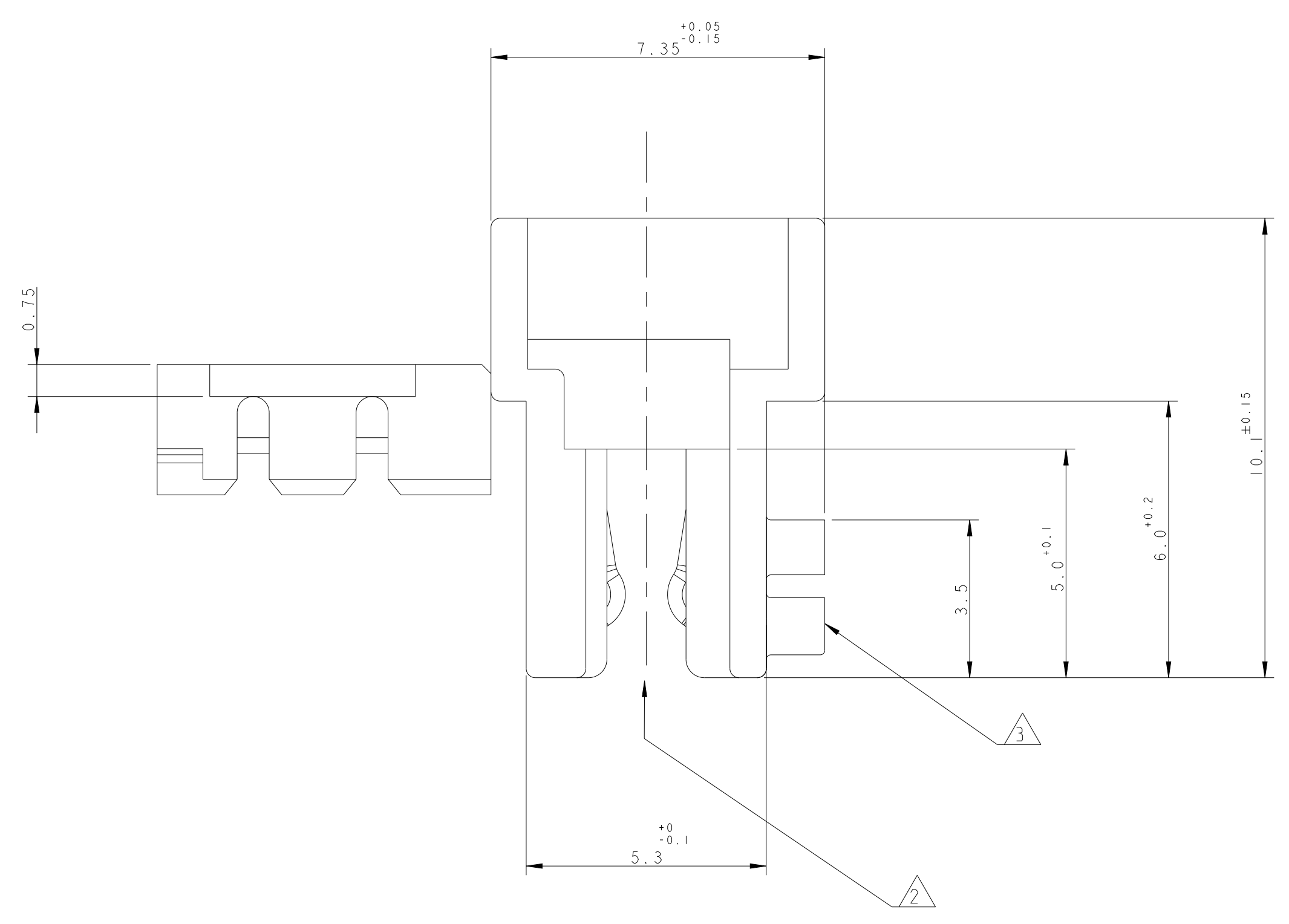
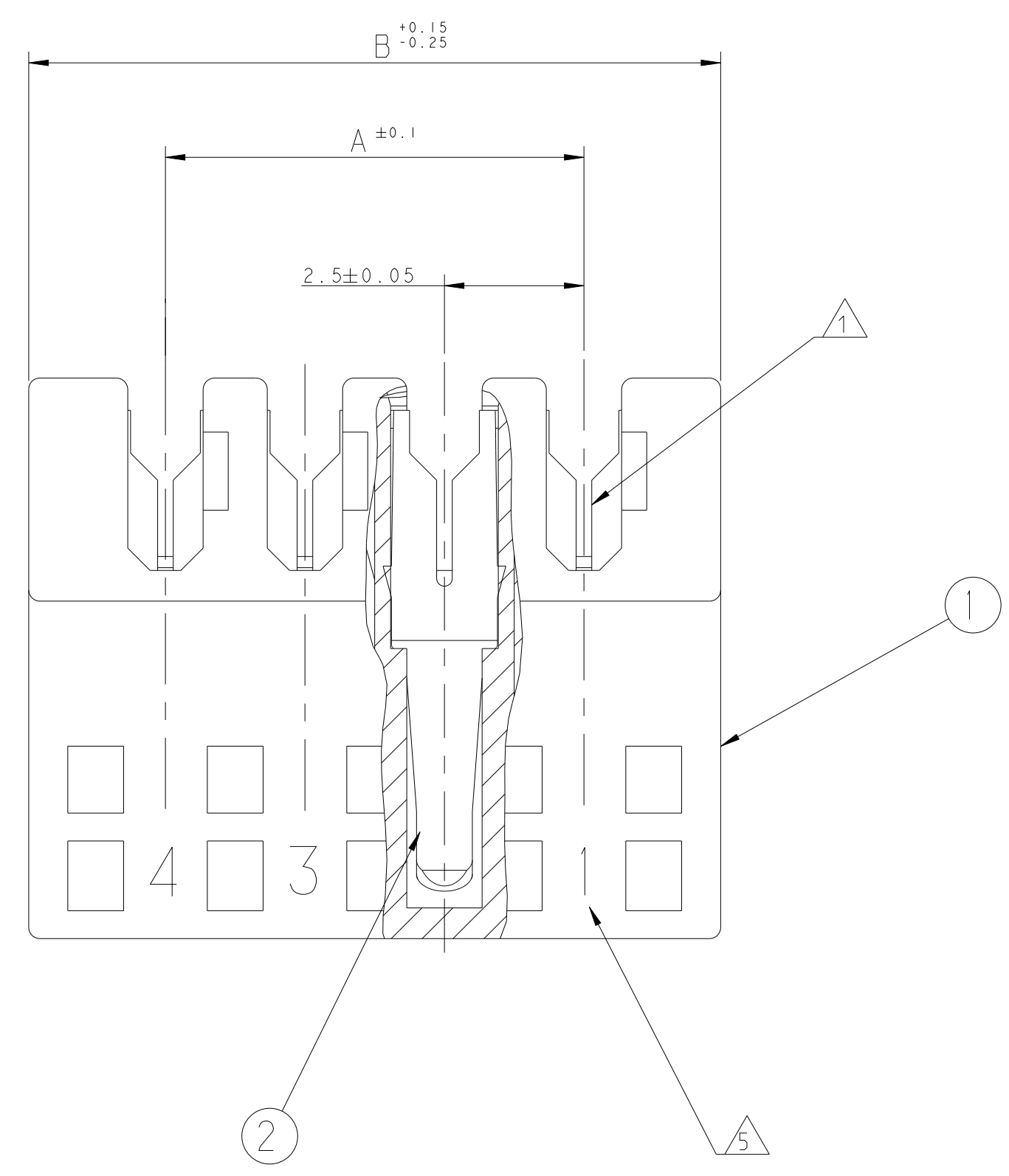
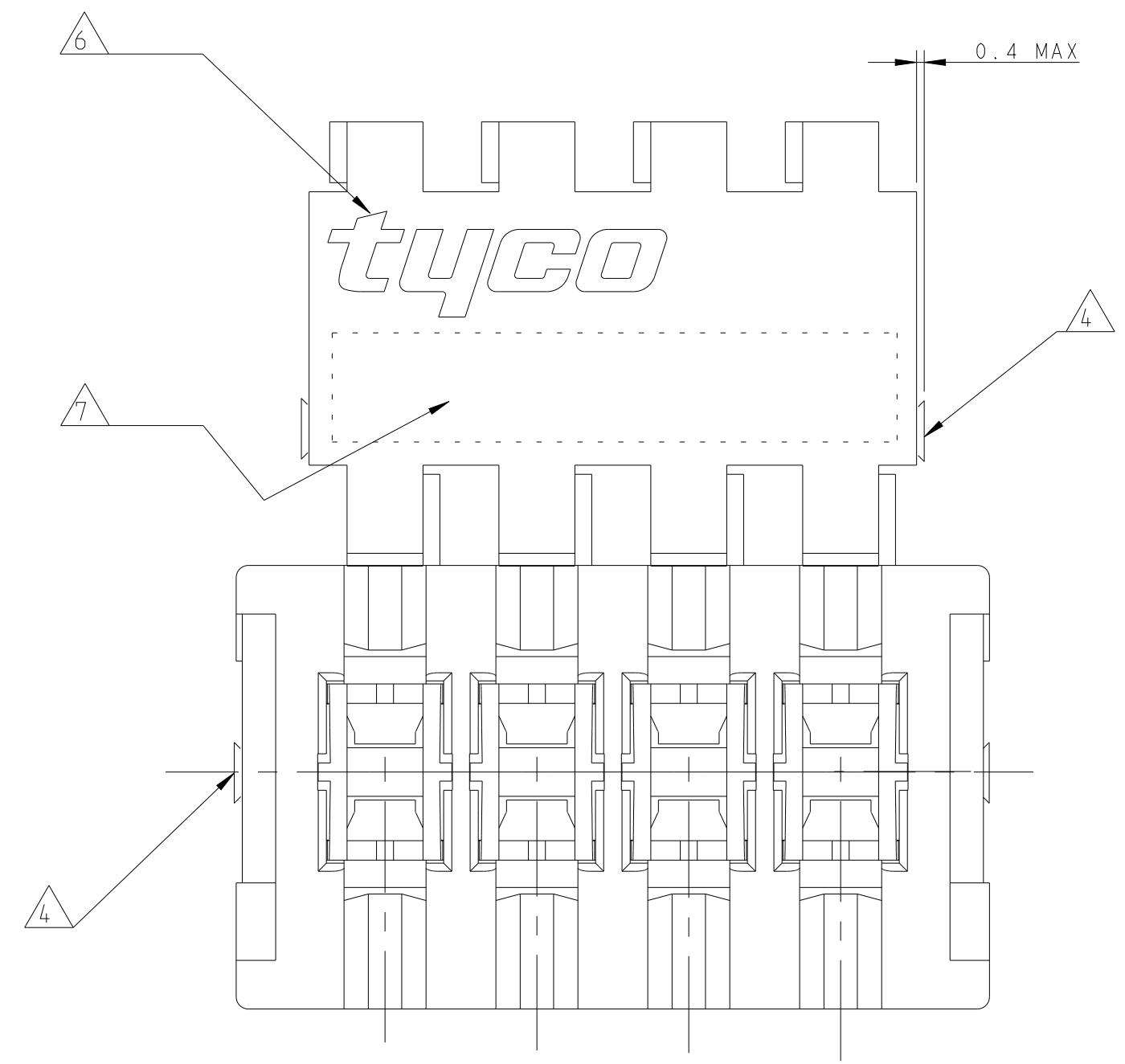


REVISONS		DATE	OWN	APVD
C2	ECR-22-128794	10FEB2022	DC	FL
C3	ECR-22-134224	04APR2022	DC	FL
C4	ECR-22-162225	16JAN2023	DC	FL



P/N 0-284930-3 AS SHOWN



- 1 WIRE RANGE : STRANDED 0.22-0.35 mm² (INS. DIA. 1.30±0.1)
- 2 MATING PART: TAB HEADER P/Ns 1971817, 1971818 AND EQUIVALENT;
PCB FRAME P/N 964575 (PCB THK 1.5±0.14 COPPER CLADDING INCLUDED)
SEE PRODUCT SPEC. 108-18056 FOR FRAME APPLICATION
- 3 KEYING RIBS TO BE REMOVED BY TERMINATION MACHINE
- 4 CUT OFF DIMENSION DUE TO PRODUCTION PROCESS
- 5 CIRCUIT No. IDENTIFICATION
- 6 TYCO ELECTRONICS TRADEMARK (OPTIONAL POSITION)
- 7 TAMOGRAPHIC COLOUR CODE AREA
(P/Ns IDENTIFICATION BEFORE CRIMPING)
- 8 OBSOLETE PARTS: OBSOLETE CIS STREAMLINING PER D.RENAUD/D.SINISI
- 9 PBT GF
- 10 PA GF, UL94-V0 & GWPT 750°C NO FLAME, NATURAL
- 11 PRELIMINARY PN NOT FOR PRODUCTION
- 12 ALTERNATIVE RESIN PBT GF
- 13 PART RELEASED WITHOUT EXTENSIVE TERMINATION TESTS

OBsolete	NATURAL	13	30.0	34.9	5x	1-284930-3	-	1-2402726-3
-	-	11	25.0	29.9	6x	1-284930-1	12 2311501-1	1-2402726-1
OBsolete	NATURAL	10	22.5	27.4	6x	1-284930-0	-	1-2402726-0
-	NATURAL	9	20.0	24.9	7x	284930-9	11 -	2402726-9
OBsolete	NATURAL	8	17.5	22.4	8x	0-284930-8	-	2-2402726-8
-	-	8	17.5	22.4	8x	0-284930-8	2311500-8	2402726-8
-	-	7	15.0	19.9	8x	0-284930-7	2311500-7	2402726-7
-	BLUE	6	12.5	17.4	10x	2-284930-6	1-2311500-6	2-2402726-6
-	-	6	12.5	17.4	10x	0-284930-6	2311500-6	2402726-6
OBsolete	NATURAL	5	10.0	14.9	11x	2-284930-5	-	2-2402726-5
-	-	5	10.0	14.9	11x	0-284930-5	2311500-5	2402726-5
OBsolete	NATURAL	4	7.5	12.4	13x	3-284930-4	-	3-2402726-4
-	RED	4	7.5	12.4	13x	2-284930-4	1-2311500-4	2-2402726-4
-	-	4	7.5	12.4	13x	0-284930-4	2311500-4	2402726-4
OBsolete	NATURAL	3	5.0	9.9	16x	5-284930-3	-	5-2402726-3
OBsolete	BLUE	3	5.0	9.9	16x	4-284930-3	-	4-2402726-3
OBsolete	BROWN	3	5.0	9.9	16x	3-284930-3	-	3-2402726-3
-	GREEN	3	5.0	9.9	16x	2-284930-3	2-2311500-3	2-2402726-3
-	-	3	5.0	9.9	16x	0-284930-3	1-2311500-3	2402726-3
	COLOUR CODE	HSG POS	DIM.A	DIM.B		9 TE P/N	10 TE P/N	11 TE P/N

SEE TABLE	PH. BRONZE, TIN PLATED	IDC RECEPTACLE CONTACT	2
	PBT GLASS FIBER FILLED	FEMALE HOUSING	1
Q.TY	MATERIAL	DESCRIPTION	ITEM
	REVISIONE DELL'ASSEMBLATO (REVISION OF EACH ASSY NO)		
	ELENCO DEI COMPONENTI (PARTS LIST)		

THIS DRAWING IS A CONTROLLED DOCUMENT.		OWN: R. FABRIS	27FEB2004
DIMENSIONS: mm		CHK: -	-
TOLERANCES UNLESS OTHERWISE SPECIFIED:		APVD: G. TURCO	27FEB2004
0 PLC	±0.2	NAME: DUOPLUG 2.5 FEMALE CONNECTOR (FULLY LOADED)	
1 PLC	±0.2	PRODUCT SPEC: 108-18056	
2 PLC	±0.2	APPLICATION SPEC: 114-18049-1	
3 PLC	±0.2	SIZE: A100779	
4 PLC	±0.2	CAGE CODE: C=284930	
ANGLES	±1°	WEIGHT: -	
FINISH	-	SCALE: 5:1	
MATERIAL: SEE TABLE		SHEET 1 OF 1	
		REV C4	