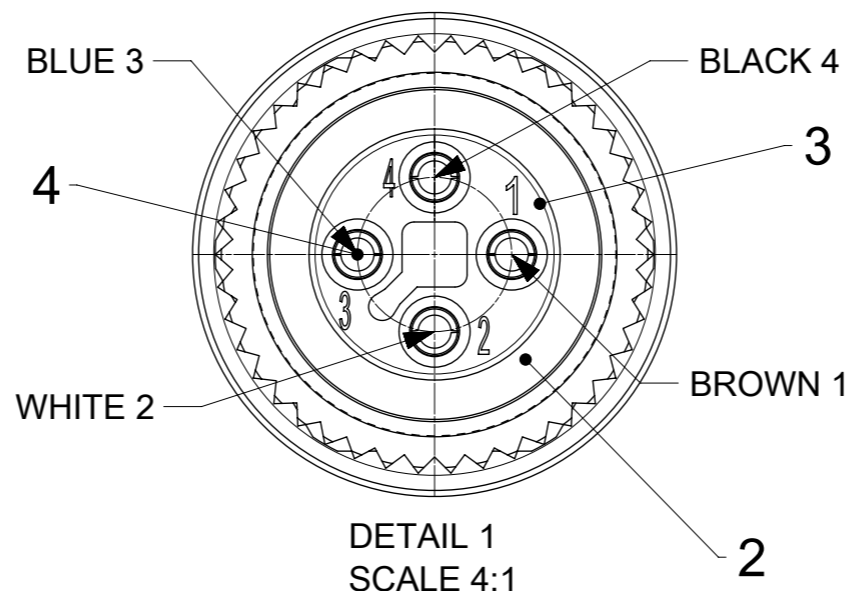


POS	DESCRIPTION	MATERIAL	FINISH
1	NUT M12 FE	BRASS	Ni
2	GASKET	FPM	-
3	INSERT M12 FE	PA	BLACK
4	CONTACT 15 FE	BRASS	Au
5	OVERMOLD	TPE	BLACK
6	CABLE 4x1.5 D7.8	TPU	BLACK
7	I/D CARRIER	-	-

CONNECTOR PIN ASSIGNMENT
MATING SIDE



TECHNICAL DATA:

CONTACT Ø: 1.5mm
 RATED VOLTAGE: 63V DC
 RATED CURRENT: 12A (40°)
 OVERVOLTAGE CATEGORIE: 3
 POLLUTION DEGREE: 3
 DIELECTRIC STRENGTH: 1500V
 CONTACT RESITANCE: ≤ 5mΩ
 INSULATION RESISTANCE: MIN: 10⁸Ω

IP RATING: IP67 (connected condition)
 TEMPERATURE RANGE FIXED: -40°C TO +90°C

PACKAGING:
 THE CORDSETS ARE PACKED IN PLASTIC BAGS
 AND DELIVERED IN CARTON BOXES

TABLE 1: Cable Length

MATERIAL NO.	ENGINEERING NO.	L [mm]	TOLERANCE [mm]
1205000091	T0P4000B43M200	20000	±50

THIS DRAWING CONTAINS INFORMATION THAT IS PROPRIETARY TO MOLEX ELECTRONIC TECHNOLOGIES, LLC AND SHOULD NOT BE USED WITHOUT WRITTEN PERMISSION										
DIMENSION UNITS	SCALE	CURRENT REV DESC: REMOVED OBSOLETE PART NUMBER AS PER PCN#510806.								
mm	2:1	 CSE M12 4P TC FE STR WSOR XM SE UNSH PRODUCT CUSTOMER DRAWING								
GENERAL TOLERANCES (UNLESS SPECIFIED)										
ANGULAR TOL	± 1.0 °	EC NO: 733771		2023/01/04		DOCUMENT NUMBER		DOC TYPE	DOC PART	REVISION
4 PLACES	±	DRWN: LIKITV		2023/02/24		1205000021		PSD	000	A6
3 PLACES	±	CHK'D: GGA		2023/02/24		MATERIAL NUMBER		CUSTOMER		
2 PLACES	± 0.05	APPR: GGA		2023/02/24		SEE TABLE 1		GENERAL MARKET		
1 PLACE	± 0.3	INITIAL REVISION:		2015/08/13		SERIES		SHEET NUMBER		
0 PLACES	± 0.5	DRWN: MSCHWARZ		2016/05/10		A3-SIZE		1 OF 1		
DRAFT WHERE APPLICABLE MUST REMAIN WITHIN DIMENSIONS		THIRD ANGLE PROJECTION		DRAWING		MATERIAL NUMBER		CUSTOMER		
				A3-SIZE		120500		SEE TABLE 1		