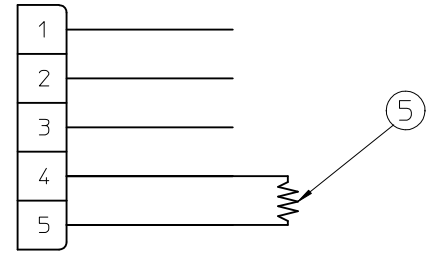
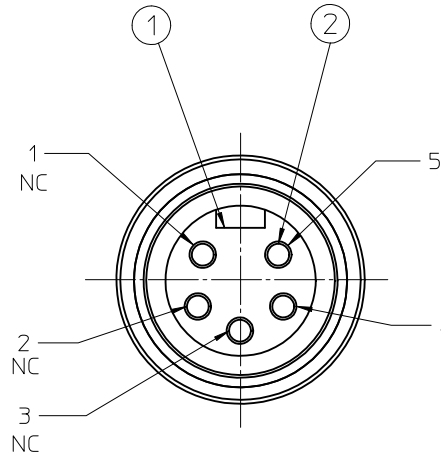
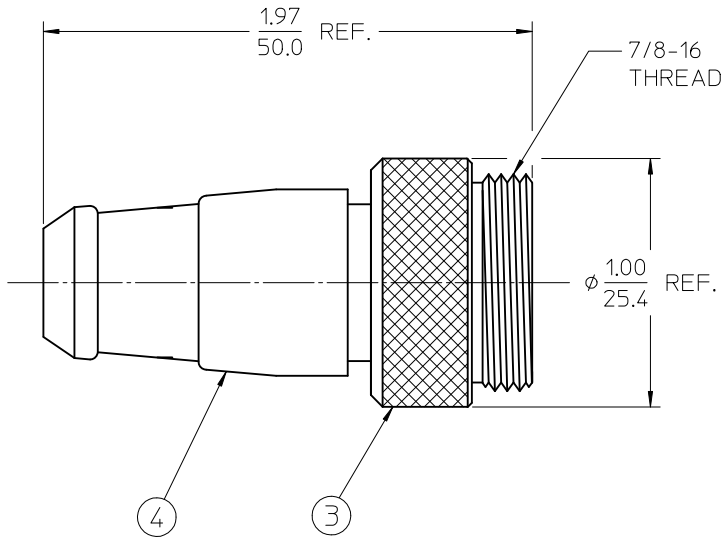
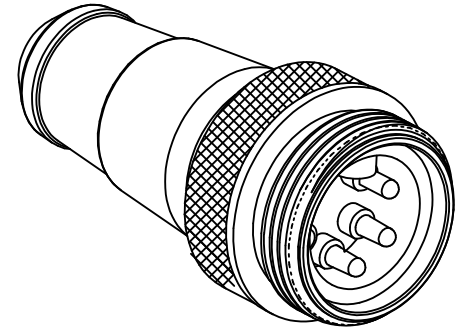


VOLTAGE RATING	50 VAC/VDC
AMPERAGE RATING	8 AMPS
PROTECTION	IP67
OPERATING TEMPERATURE	0°C TO 60°C



WIRING DIAGRAM

ITEM	COMPONENT	MATERIAL	FINISH
1	INSERT	PVC	GRAY
2	CONTACT PIN	COPPER ALLOY	GOLD OVER NICKEL
3	COUPLNG NUT	BRASS	NICKEL PLATED
4	OVERMOLD	PVC	GRAY
5	RESISTOR	121 OHM 1% METAL FILM 1/4 WATT	

RELEASED
 EC NO: WNA2010-0417
 DRAWN BY: DRWINRSTONE 2010/01/21
 CHYKDB: WOODMAN 2010/01/22
 APPR: JFMURPHY 2010/01/25

QUALITY SYMBOLS
 ▽=0
 ▽=0

	GENERAL TOLERANCES (UNLESS SPECIFIED)	
	mm	INCH
4 PLACES	± ---	± ---
3 PLACES	± ---	± ---
2 PLACES	± ---	± .01
1 PLACE	± 0.3	± ---
ANGULAR ±1/2°		
DRAFT WHERE APPLICABLE MUST REMAIN WITHIN DIMENSIONS		

DIMENSION STYLE
IN/MM
 DRAWN BY: R. STONE
 DATE: 2010/01/15
 CHECKED BY: B. WOODMAN
 DATE: 2010/01/18
 APPROVED BY: JFMURPHY
 DATE: 2010/01/22

SCALE: 2:1
 DESIGN UNITS: INCH
 THIRD ANGLE PROJECTION
 TITLE: **TERMINATION RESISTOR MC 5P, MALE**
 MOLEX INCORPORATED
 MATERIAL NO. 848569108
 DOCUMENT NO. SD-84856-015
 SHEET NO. 1 OF 1