

■ **Features**

- Single output from 20-24W
- 100-240Vac Universal Input
- Efficiency Level: VI
- Over Current Protection
- Short Circuit Protection
- LPS Rated Products
- Class II construction
- Interchangeable AC blades: US, UK, EU, AU, CN
- MTBF: 50,000 hours
- Case options: Space saver design upon availability
- Dimension: 81x39x57mm(Space saver)



■ **Application**

- Consumer electronics, Telecom and office equipment
- Industrial equipment

\*Product images are for illustrative purposes only and may vary from actual design.

**Custom Designs Available!**

■ **Model List**

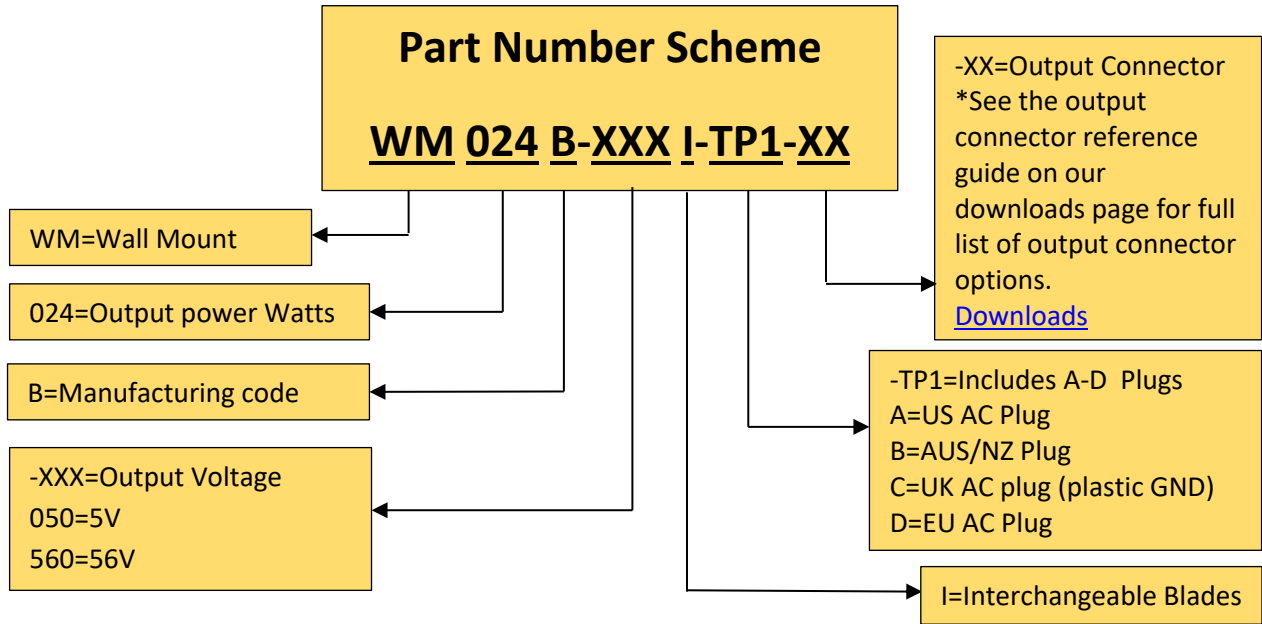
Model	Output Voltage	Output Current	Power	Certifications
WM024B-050I-TP1-XX	5V	4A	20W	UL/cUL
WM024B-090I-TP1-XX	9V	2.7A	24W	UL/cUL
WM024B-120I-TP1-XX	12V	2A	24W	UL/cUL
WM024B-150I-TP1-XX	15V	1.6A	24W	UL/cUL
WM024B-190I-TP1-XX	19V	1.3A	24W	UL/cUL
WM024B-240I-TP1-XX	24V	1A	24W	UL/cUL
WM024B-280I-TP1-XX	28V	0.86A	24W	UL/cUL
WM024B-360I-TP1-XX	36V	0.7A	24W	UL/cUL
WM024B-480I-TP1-XX	48V	0.5A	24W	UL/cUL
WM024B-560I-TP1-XX	56V	0.42A	24W	UL/cUL

■ **Interchangeable Blade Types**



**Technical Sales / Customer Service:** +1-818-338-7788 • Email: [sales@autec.com](mailto:sales@autec.com)  
 31328 Via Colinas Suite 102 • Westlake Village, CA 91362 USA • [www.autec.com](http://www.autec.com)

April 19, 2019



**\*Some Safety Agency Approvals may differ from what is shown. Contact Autec Sales!**

**\*Product images are for illustrative purposes only and may vary from actual design.**

**\*Specifications are subject to change without notice. Autec is not responsible for issues arising from errors or omissions.**