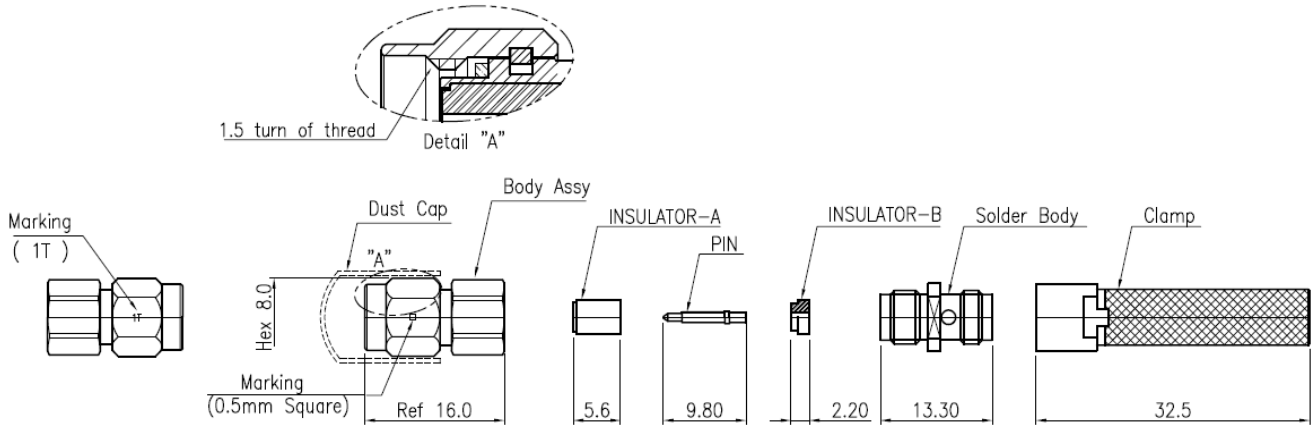


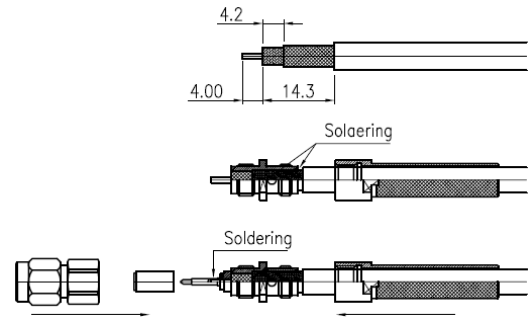
NOTICE OF PROPRIETARY RIGHTS THIS DOCUMENT CONTAINS CONFIDENTIAL TECHNICAL DATA, INCLUDING TRADE SECRETS, PROPRIETARY TO TIMES MICROWAVE SYSTEMS. DISCLOSURE OF THIS DATA IS EXPRESSLY CONDITIONED UPON YOUR ASSENT THAT ITS USE IS LIMITED TO USE WITHIN YOUR COMPANY ONLY. ANY OTHER USE IS STRICTLY PROHIBITED WITHOUT THE PRIOR WRITTEN CONSENT OF TIMES MICROWAVE SYSTEMS.

SYM	REVISION DESCRIPTION	DFTM	DATE	APPD	DATE
A	RELEASED FOR PRODUCTION	D. J. H.	7/10/15	J. D. B.	7/14/15
B	CHANGED PER CDC #46691	N. N. N.	5/4/17	J. D. B.	5/17/17



NOTE

1. Specification
 - 1.1 Frequency range : DC ~ 26.5GHz
 - 1.2 Impedance : 50 Ohm Nom.
 - 1.3 VSWR : 1.30 Max
2. Material and Finish
 - 2.1 Connector
 - 1) Body & Hex Nut : Stainless Steel 303 / Passivation
 - 2) Insulator-A & B : PTFE
 - 3) Pin : Beryllium copper / Gold Plated(1.27µm(50 micro-inches))
 - 4) Solder Body : Brass / Gold Plated (0.1µm)
 - 5) Clamp : Brass / Nickel Plated (2.5µm)
 - 6) C-Ring : Stainless Steel / Passivation
 - 7) Dust Cap : PVC (Black)
3. 2011/65/EU(RoHS) compliant



MATL:	UNLESS OTHERWISE SPECIFIED		DFTM. D. J. H.	TIMES MICROWAVE SYSTEMS	
	ALL DIMENSIONS ARE IN INCHES MACHINED SURFACES FINISH 32 RMS MAX. REMOVE ALL BURRS .005 MAX. BREAK MACHINE CORNERS .005 MAX. FILLET R. TOLERANCES ON DECIMALS . XX ± .03 . XXX ± .005 ANGLES ± 1° FRACTIONS ± 1/32		DATE 7/10/15		
USED ON: -	DO NOT SCALE DRAWING		CHKD. J. D. B.	"SMA" SLIM-LINE (PLUG) FOR SF142B CABLE ONE TURN	
			DATE 7/14/15		
SCALE: N/A	DWG. SIZE A	CODE IDENT 68999	APPD. J. D. B.	DATE 7/14/15	SHT 1 of 1
				REV B	