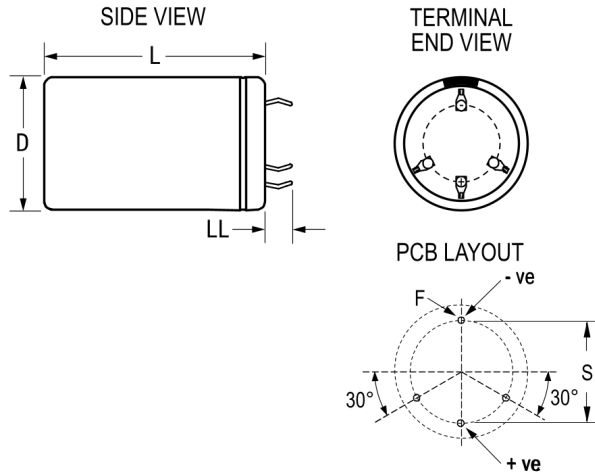


PEH536VEM4100M4

Aliases (A551HP102M400C)

PEH536, Aluminum Electrolytic, 1,000 uF, 20%, 400 VDC, -40/+105°C



Click [here](#) for the 3D model.

Dimensions

D	40mm +/-0.5mm
L	80mm +/-1mm
S	22.5mm NOM
LL	6.3mm +/-1mm
F	2mm +/-0.1mm

Packaging Specifications

Packaging	Bulk, Bag
Packaging Quantity	25

General Information

Series	PEH536
Dielectric	Aluminum Electrolytic
Description	Snap-In, Aluminum Electrolytic
RoHS	Yes
Lead	4 Pin
AEC-Q200	No
Component Weight	155 g
Notes	Add 0.5mm To D And 1mm To L For Sleeving.
Shelf Life	208 Weeks

Specifications

Capacitance	1,000 uF
Capacitance Tolerance	20%
Voltage DC	400 VDC
Temperature Range	-40/+105°C
Rated Temperature	105°C
Life	4600 Hrs (Rated Voltage And Ripple Current At 105C), 6000 Hrs (Rated Voltage At 105C)
Resistance	90 mOhms (100Hz 20C), 51 mOhms (100kHz 20C)
Ripple Current	3.1 Amps (100Hz 105C), 19.7 Amps (20kHz 40C)
Leakage Current	1200 uA (5min 20°C)