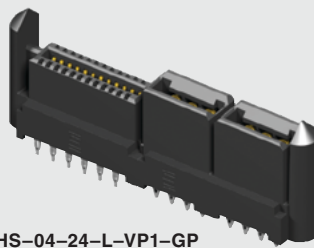
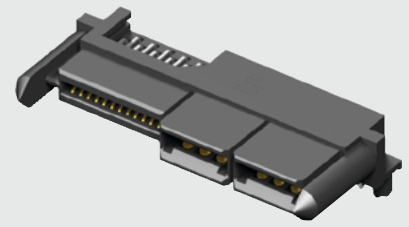




**POWER™ EXTreme  
STRIP LPH**



LPHS-04-24-L-VP1-GP



LPHS-04-24-L-RT1-GP

(12.00 mm) .472" (PWR) (1.27 mm) .050" (SIG)

**LPHS SERIES**

# EXTreme LPHPower™ SOCKET ASSEMBLY

Mates with:

LPHT

## SPECIFICATIONS

For complete specifications and recommended PCB layouts see [www.samtec.com?LPHS](http://www.samtec.com?LPHS)

**Insulator Material:**

Black LCP

**Terminal Material:**

Signal: Brass

Power: Copper Alloy

**Plating:**

Au or Sn over

50 μm (1.27 μm) Ni

**Current Rating:**

Power: 30 A per power blade

(4 blades powered)

Signal: 1 A per signal contact

**Operating Temp Range:**

-40 °C to +105 °C

**Voltage Rating:** 250 VAC

**Standard Creepage:**

(2.86 mm) .113"

(with -VP1 power)

(5.63 mm) .222"

(with -RTX power)

**Standard Clearance:**

(2.69 mm) .105"

(with -VP1 power)

(1.36 mm) .054"

(with -RTX power)

**RoHS Compliant:** Yes

## PROCESSING

**Lead-Free Solderable:** Yes

(-RT1 & -RT2 option)

## RECOGNITIONS

For complete scope of recognitions see [www.samtec.com/quality](http://www.samtec.com/quality)



## ALSO AVAILABLE (MOQ Required)

- Other platings
- 28 Signal positions
- No Guide post

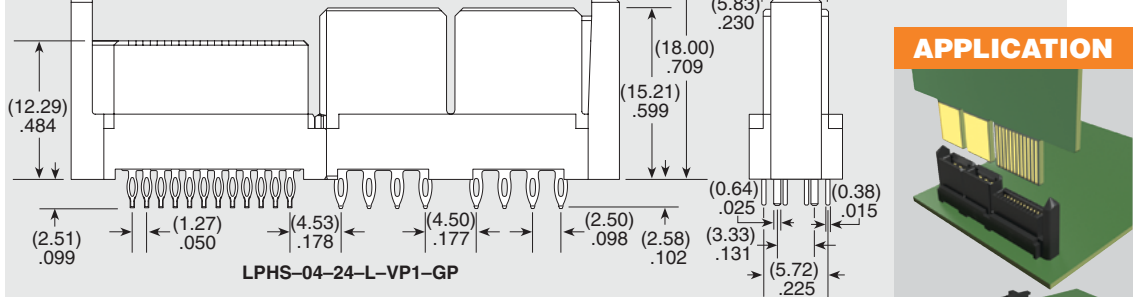
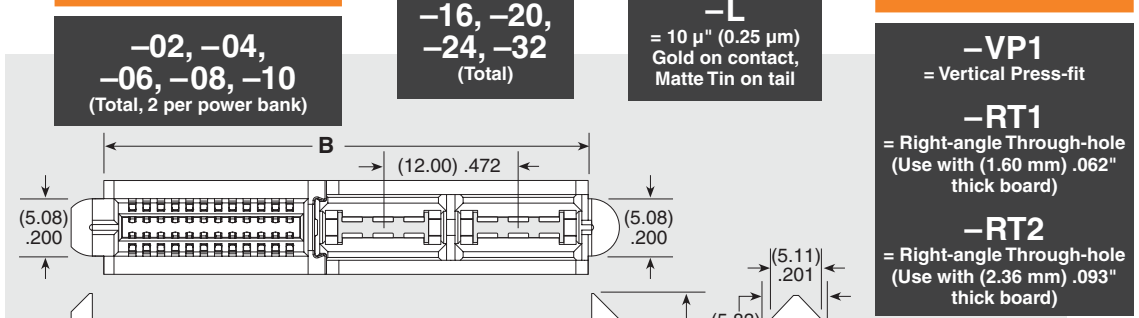
**Notes:**

Series is rated up to 60 A per power bank.

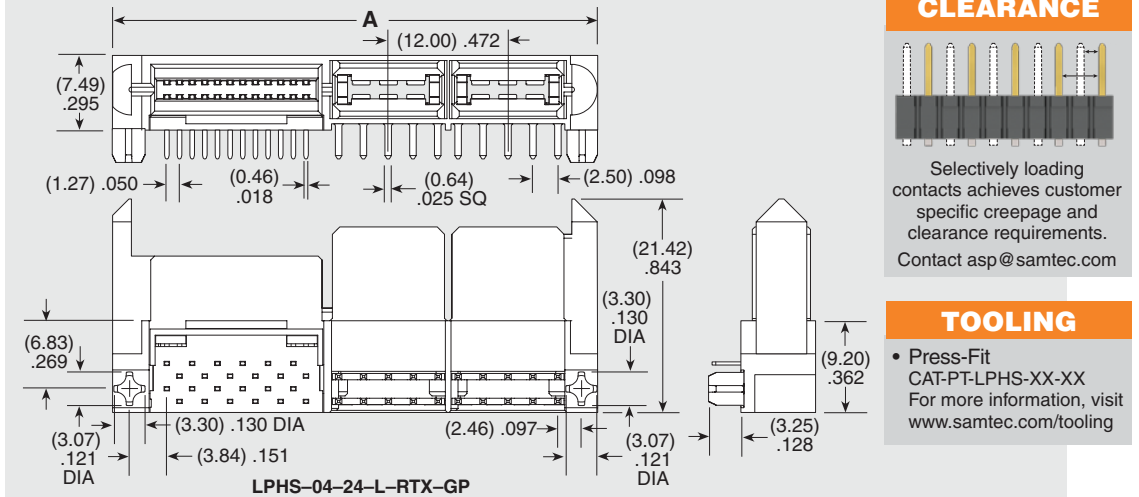
Some lengths, styles and options are non-standard, non-returnable.

The Molex EXTreme LPHPower™ line is a second source to the Samtec LPHS Series

\* EXTreme LPHPower™ is a trademark of Molex Incorporated.



SIGNAL POSITIONS	POWER POSITIONS									
	A (-02)	B (-02)	A (-04)	B (-04)	A (-06)	B (-06)	A (-08)	B (-08)	A (-10)	B (-10)
-16	(31.64) 1.918	(25.88) 1.019	(43.64) 1.718	(37.88) 1.491	(55.64) 2.191	(49.88) 1.964	(67.64) 2.633	(61.88) 2.436	(79.64) 3.135	(73.88) 2.909
-20	(34.18) 1.346	(28.42) 1.119	(46.18) 1.818	(40.42) 1.591	(58.18) 2.291	(52.42) 2.064	(70.18) 2.763	(64.42) 2.536	(82.18) 3.235	(76.42) 3.009
-24	(36.72) 1.446	(30.96) 1.219	(48.72) 1.918	(42.96) 1.691	(60.72) 2.391	(54.96) 2.164	(72.72) 2.863	(66.96) 2.636	(84.72) 3.335	(78.96) 3.109
-32	(41.80) 1.646	(36.04) 1.419	(53.80) 2.118	(48.04) 1.891	(65.80) 2.591	(60.04) 2.364	(77.80) 3.063	(72.04) 2.836	(89.80) 3.535	(84.04) 3.309



Due to technical progress, all designs, specifications and components are subject to change without notice.

[WWW.SAMTEC.COM](http://WWW.SAMTEC.COM)

All parts within this catalog are built to Samtec's specifications.

Customer specific requirements must be approved by Samtec and identified in a Samtec customer-specific drawing to apply.

### APPLICATION

### CREEPAGE AND CLEARANCE

Selectively loading contacts achieves customer specific creepage and clearance requirements.  
Contact [asp@samtec.com](mailto:asp@samtec.com)

### TOOLING

- Press-Fit CAT-PT-LPHS-XX-XX

For more information, visit [www.samtec.com/tooling](http://www.samtec.com/tooling)