



2.0×1.6mm for Consumer Products/ Automotive



Features

- Support a wide range of applications
- Ultra-miniature and low profile (2.05×1.65×0.45mm)
- Ceramic package
- Reflow compatible

Applications

- ECU
- Automotive Camera
- Digital Electronics
- Consumer Products

How to Order

CX2016SA 20000 D0 G S S □ □  
① ② ③ ④ ⑤ ⑥ ⑦

①Series	②Frequency
③Load Capacitance	④Frequency Tolerance
D0	8 pF
G	±15×10 <sup>-6</sup>
⑤Operating Temp. Range	⑥Frequency Temp. Stability
SS	-40 to +125°C
TW	-40 to +150°C
LL	-30 to +85°C
	±50×10 <sup>-6</sup>
	±200×10 <sup>-6</sup>
	±20×10 <sup>-6</sup>

⑦Individual Specification

Packaging (Tape & Reel 3000/ 15000 pcs./ reel)



Specifications

Item	Symbol	Specification	Unit	Remarks
Frequency Range	f <sub>nom</sub>	16, 20, 24, 25, 26, 27, 30, 32, 37.4, 38.4, 40, 48, 50	MHz	Please contact us for other frequency range.
Overtone Order	OT	Fundamental	—	
Load Capacitance	CL	8	pF	Please contact us for other CL requirements.
Frequency Tolerance	f <sub>tol</sub>	±15	×10 <sup>-6</sup>	25°C±3°C
Motional Series Resistance	R1	Table 1	ohm	
Drive Level	DL	10μW(200μW max.)	μW	
Operating Temp. Range	T <sub>use</sub>	-40 to +125   -40 to +150   -30 to +85	°C	
Storage Temp. Range	T <sub>stg</sub>	-40 to +150	°C	
Frequency Temp. Characteristics	f <sub>tem</sub>	±50   ±200   ±20	×10 <sup>-6</sup>	Freq. deviation from the value at 25°C

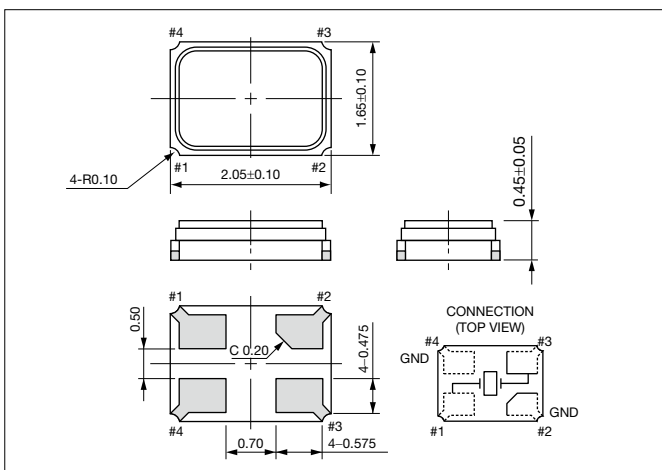
Please contact us for other specifications.

Table 1 Motional Series Resistance Please contact us for other frequency range.

Frequency Range	Motional Series Resistance
16MHz	200 Ω max.
20MHz	150 Ω max.
32MHz	60 Ω max.
50MHz	50 Ω max.

Dimensions

(Unit: mm)



Recommended Land Pattern

(Unit: mm)

