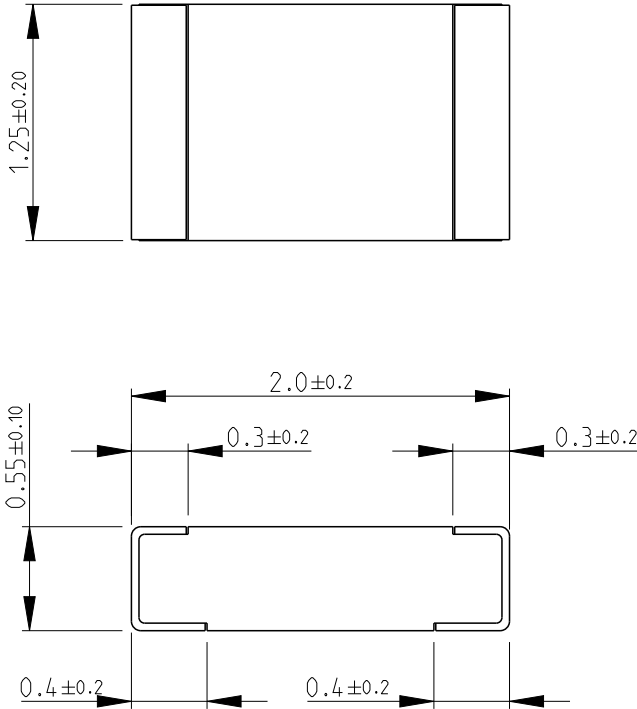
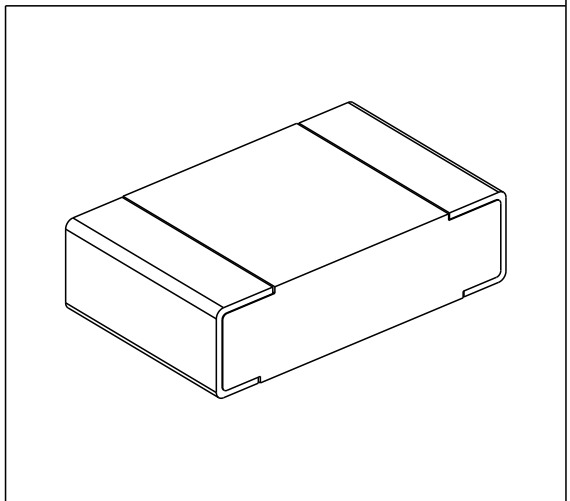


| | | | | | | | |
|-----|------|-----------|-----|---------------------------|-----------|-----|------|
| LOC | DIST | REVISIONS | | | | | |
| E | B | P | LTR | DESCRIPTION | DATE | DWN | APVD |
| | | BA2 | | REVISED PER ECO-11-005150 | 29MAR2011 | RK | HMR |
| | | BA3 | | ECR-16-000106 | 05JAN2016 | KR | TN |

FOR FURTHER INFORMATION SEE DATA SHEET FOR CPF SERIES-THIN FILM PRECISION CHIP RESISTORS



RoHS Compliant




2008

RELEASED FOR PUBLICATION

ALL RIGHTS RESERVED.

© COPYRIGHT 2008

THIS DRAWING IS UNPUBLISHED.

| | | | | | | | |
|--|---------------|------------------|--------------|--|-------|-------------|------------|
| DIMENSIONS: mm | DWN | SUBHASH.M | 22-Sep-08 | MATERIAL | - | FINISH | - |
| | CHK | PRAKASH.S | 22-Sep-08 |  TE Connectivity | | | |
| TOLERANCES UNLESS OTHERWISE SPECIFIED: | APVD | STEPHEN.P | 22-Sep-08 | | | | |
| | 0 PLC | ± 0.2 | PRODUCT SPEC | - | SIZE | CAGE CODE | DRAWING NO |
| 1 PLC | ± 0.1 | APPLICATION SPEC | - | A 4 | 00779 | © = 1614883 | - |
| 2 PLC | $\pm -$ | WEIGHT | - | CUSTOMER DRAWING | | | |
| 3 PLC | $\pm -$ | | | SCALE | 25:1 | SHEET | 1 OF 1 |
| 4 PLC | $\pm -$ | | | | | | REV |
| ANGLES | $\pm 5^\circ$ | | | | | | BA3 |