



Electrical specifications

Center Frequency: 3425 MHz
Bandwidth: 50 MHz
Input / Output Impedance: 50 Ohms
Passband: 3400-3450 MHz
Passband Insertion Loss: 2.0 dB Max.
Passband Ripple: 1.0 dB Max.
Passband Return Loss: 12.0 dB Min.
Rejection: @ Fo + 75 MHz 8 dB Min.
Rejection 2: @ Fo + 200 MHz 25 dB Min.
Rejection 3: @ Fo - 200 MHz 25 dB Min.
Power Handling: 1 W

Mechanical

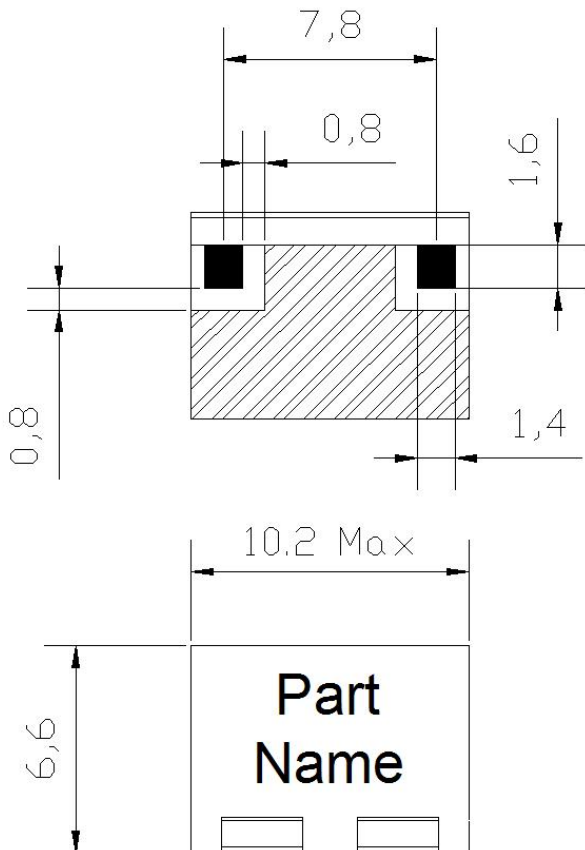
Mounting Method: SMT
Dimensions: 8.3 x 7 x 5.54 mm

Environmental

Operating Temperature: -40°C to +85°C
Storage Temperature: -50°C to +90°C

This product is RoHs compliant.

Outline Drawing:



Tolerance unless otherwise specified : ± 0.2
 Dimension unit : mm

