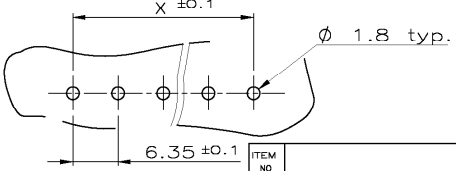
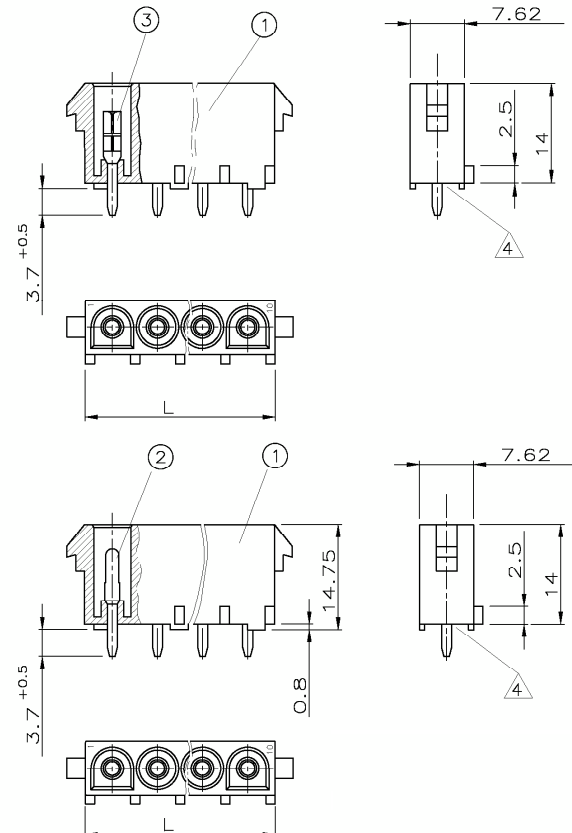


PCB Layout



Example for order:  
 consists of:  
 - 2-pol. UMNL PC HEADER HSG. (NATURAL)  
 - UMNL contact pin (selective plated golded)  
 Just first and last ways are identified  
 Retention force of the contact greater than 20 N per contact.

- ▲ NEUES MATERIAL (PHOSPHOR UND HALOGEN FREI) AUSSEHEN:WEISS
- ▲ MATERIAL ZYTEL E 103 HSL
- ▲ MATERIAL PA 6 UL 94 V2
- ⊗ BULK PACKAGING IN PLASTIC BAG & CORRUGATED SHIPPING BOX PN 973058-3
- ▲ GWT 750° (WITHOUT FLAME) ACC.IEC 60335-1 EDITION 06/2001
- ▲ PN 826845-3 IS USING PIN PN 770528-1 & PN 826852-3 IS USING SOCKET PN 350574-4

ITEM NO

②

③

①

④

⑤

⑥

⑦

⑧

⑨

⑩

⑪

⑫

⑬

⑭

⑮

⑯

⑰

⑱

⑲

⑳

㉑

㉒

㉓

㉔

㉕

㉖

㉗

㉘

㉙

㉚

㉛

㉜

㉝

㉞

㉟

㊱

㊲

㊳

㊴

㊵

㊶

㊷

㊸

㊹

㊺

㊻

㊼

㊽

㊾

㊿

HOUSING	CONTACT	TYP	UMNL PIN		UMNL SOCKET	
			CuSn tinned over Ni	CuSn select Gold	CuSn tinned over Ni	CuSn select Gold
TYP	COLOR	DWG SIZE	B	B	B	B
2 WAY UMNL PC.HEADER	Natural	D	Replacng 360428-1	Replacng 350428-4	Replacng 350760-4	Replacng 350760-5
	Black		Replacng 360786-1	Replacng 350786-3	Replacng 350824-1	Replacng 350824-4
	White		826839	826839	826846	826846
	Orange		826839	826839	826846	826846
	Black		826839	826839	826846	826846
3 WAY UMNL PC.HEADER	Natural	D	Replacng 350429-1	Replacng 350429-4	Replacng 350760-4	Replacng 350760-5
	Black		Replacng 350789-1	Replacng 350789-3	Replacng 350825-1	Replacng 350825-4
	White		826840	826840	826847	826847
	Orange		826840	826840	826847	826847
	Black		826840	826840	826847	826847
4 WAY UMNL PC.HEADER	Natural	D	Replacng 360430-1	Replacng 360430-4	Replacng 360761-4	Replacng 360761-5
	Black		Replacng 360792-1	Replacng 360792-3	Replacng 360826-1	Replacng 360826-4
	White		826841	826841	826848	826848
	Orange		826841	826841	826848	826848
	Black		826841	826841	826848	826848
5 WAY UMNL PC.HEADER	Natural	D	Replacng 640466-1	Replacng 640466-3	Replacng 640467-1	Replacng 640467-3
	Black		Replacng 640900-1	Replacng 640900-3	Replacng 640901-1	Replacng 640901-3
	White		826842	826842	826849	826849
	Orange		826842	826842	826849	826849
	Black		826842	826842	826849	826849
6 WAY UMNL PC.HEADER	Natural	D	Replacng 641831-1	Replacng 641831-4	Replacng 770262-3	Replacng 770262-5
	Black		826843	826843	826850	826850
	White		826843	826843	826850	826850
	Orange		826843	826843	826850	826850
	Black		826843	826843	826850	826850
8 WAY UMNL PC.HEADER	Natural	D	Replacng 641828-1	826844	826851	826851
	Black		Replacng 641828-1	826844	826851	826851
	White		826844	826844	826851	826851
	Orange		826844	826844	826851	826851
	Black		826844	826844	826851	826851
10 WAY UMNL PC.HEADER	Natural	D	826845	826845	826852	826852
	Black		826845	826845	826852	826852
	White		826845	826845	826852	826852
	Orange		826845	826845	826852	826852
	Black		826845	826845	826852	826852

926 302	57.15	64.77	10
926 301,604 582, 640 586	44.45	52.07	8
936 309,640 581,640 585	31.75	39.37	6
926 299,350 809,480 763	25.40	33.02	5
926 298,350 779,480 702	19.05	26.67	4
350 766,480 700	12.70	20.32	3
350 777,480 698	6.35	13.97	2
Mating part	"X"	"L"	Positions

ZEICHNUNG GÜLTIG AB 01./96.

**STE** TE Connectivity

BENENNUNG UMNL IN-LINE PC.HEADER ASSY

**K**

BESTELL-NR.	POS.	STÜCK	BENENNUNG EINZELTEIL	WERKSTOFF	OBERFLÄCHE FARBE	NICHT TOLERIERTE MASSE ± 0,25mm ± 1,5'	FORMAT A2	ZEICHNUNGS-NR. C-826839
			GEZ. H.Oehme	GEPR. -		MASSTAB 2:1(5:1)	BLATT 1 VON 1	REV. P