

THIS DRAWING IS UNPUBLISHED.

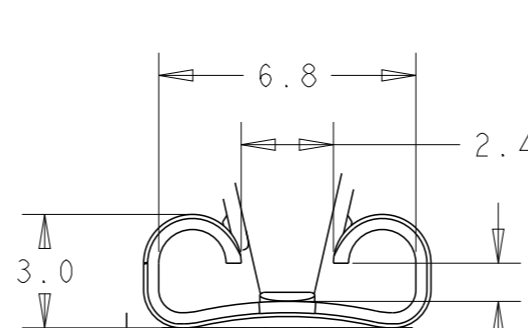
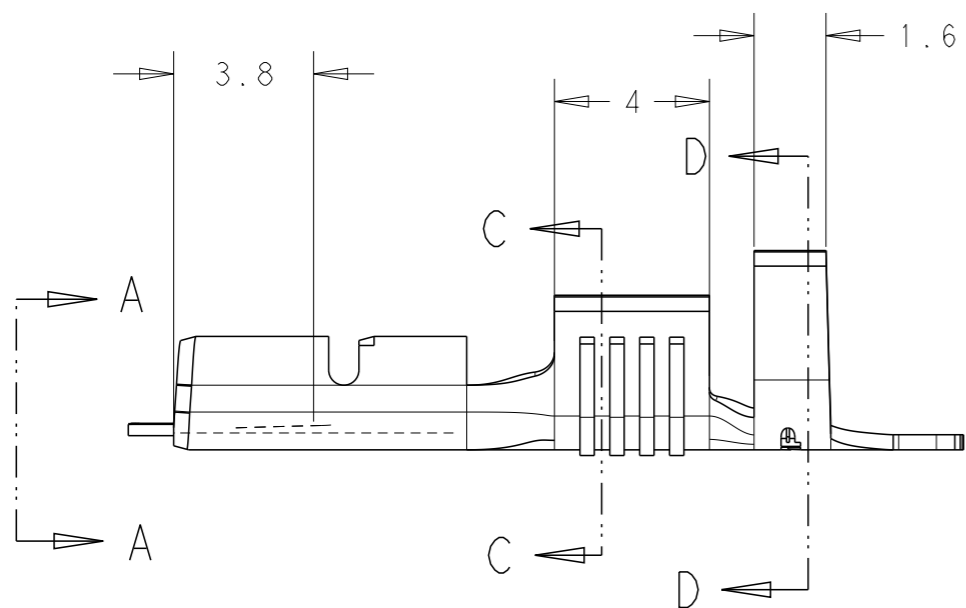
RELEASED FOR PUBLICATION

© COPYRIGHT copyright_dBVe-

ALL RIGHTS RESERVED.

REVISIONS

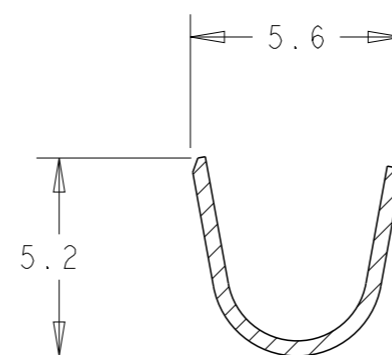
P	LTR	DESCRIPTION	DATE	DWN	APVD
	H3	REDRAWN PER ECR-16-010131	13JUL2016	NK	PKS
	U	ECR-18-006177	16MAY2018	GG	TD



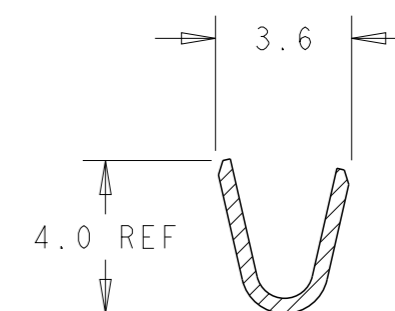
VIEW A-A

1 OBSOLETE PARTS: OBSOLETE CIS STREAMLINING PER D.RENAUD/D.SINISI.

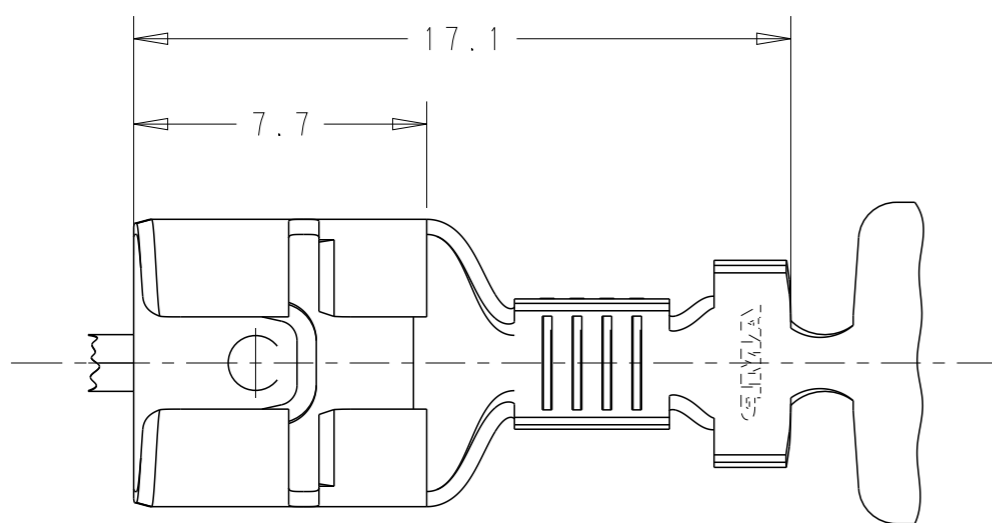
FOR THICK WITH TONGUE OF 0.8MM HOLE



SECTION D-D



SECTION C-C



GENERAL TOLERANCE: ±0.4

1	OBSOLETE	NICKEL	STEEL	737440-5
	OBSOLETE	-	BRONZE	737440-4
	OBSOLETE	ARE PRE	LATON	737440-3
		ESTANADO	LATON	737440-2
		-	LATON	737440-1
		FINISH	MATERIAL	PART NO.

WIRE RANGE: 1.0-2.5 MM²

INS. RANGE: Ø3.0-4.3MM

THIS DRAWING IS A CONTROLLED DOCUMENT.		DWN	13JUL2016	TE Connectivity	
DIMENSIONS: mm		CHK	13JUL2016		
TOLERANCES UNLESS OTHERWISE SPECIFIED:		APVD	13JUL2016		
0 PLC ±- 1 PLC ±- 2 PLC ±- 3 PLC ±- 4 PLC ±- ANGLES ±-		PRODUCT SPEC	-		
MATERIAL		APPLICATION SPEC		NAME	
-		-		RECEPTACULO FASTON 6,35	
-		FINISH		SIZE	RESTRICTED TO
-		-		A3	
		WEIGHT		CAGE CODE	DRAWING NO
		-		00779	737440
		CUSTOMER DRAWING		SCALE	SHEET
				5:1	1 OF 1
				REV	U