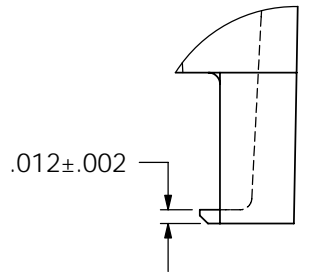
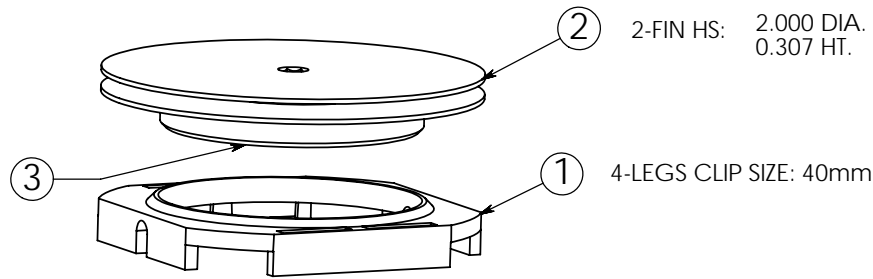
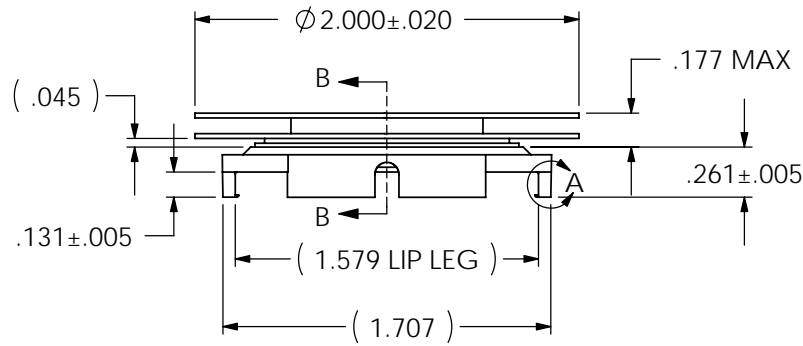


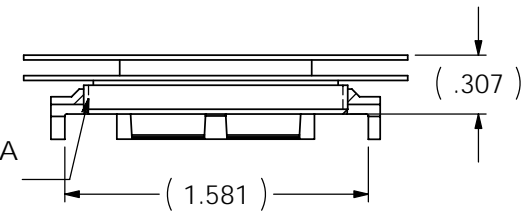
REVISION(S)			
LTR	DESCRIPTION	INIT	APP'D
O	ECN: 0S60-0252-04	E.T 10/20/04	B.P 11/12/04
A	ECR-06-014978	E.T 6/23/06	V.K 6/26/06



DETAIL A  
SCALE = 6X



1 3/8 - 27 UNS -2A  
THREAD



SECTION B-B

1. MATERIAL:

HEAT SINK: ALUM. (BLACK ANODIZE)  
CLIP: BLACK PEI (UL94-V0)

2. BEFORE THE HEATSINK APPLICATION, THE USER SHOULD IDENTIFY THE SPECIFICATION OF MAXIMUM LOAD ON THE BGA PACKAGE.

HEATSINK TORQUE SPECIFICATIONS CONVERTED TO FORCE.

BARE DIE PACKAGE:

2.5 POUND-FORCE INCH TORQUE = 7.8 POUND-FORCE  
(0.28 NEWTON METER TORQUE = 347.70 NEWTON)

3.0 POUND-FORCE INCH TORQUE = 9.4 POUND-FORCE  
(0.34 NEWTON METER TORQUE = 41.81 NEWTON)

FULL SIZE LID PACKAGE:

2.5 POUND-FORCE INCH TORQUE = 6.3 POUND-FORCE  
(0.28 NEWTON METER TORQUE = 28.02 NEWTON)

3.0 POUND-FORCE INCH TORQUE = 7.6 POUND-FORCE  
(0.34 NEWTON METER TORQUE = 33.81 NEWTON)

3. REMOVE CLIP WITH REMOVAL TOOL P/N: 1542616-1.

4. RoHS COMPLIANT AND CERTIFIED.

**CUSTOMER DRAWING**

SPECIFICATIONS ARE SUBJECT TO CHANGE WITHOUT NOTICE

ITEM	DESCRIPTION	QTY
1	MOUNTING CLIP	1
2	HEAT SINK	1
3	INTERFACE	1

DO NOT SCALE

<b>tyco</b> / Electronics		Attleboro Falls Massachusetts 02763	
UNLESS OTHERWISE SPECIFIED TOLERANCES ARE:	DRAWN BY: E.TAO	DATE: 10/11/04	MATERIAL: SEE NOTE
.XX ±	ENGINEER: B.PETROCELLI	DATE: 11/12/04	FINISH: SEE NOTE
.XXX ±	FILENAME	PROJECT	SYSTEM
.XXX ±			
ANGLES ± °			

CONFIDENTIAL PROPERTY OF TYCO ELECTRONICS. NOT TO BE DISCLOSED TO OTHERS. REPRODUCED OR USED FOR ANY PURPOSES EXCEPT AS AUTHORIZED IN WRITING BY AN AUTHORIZED OFFICIAL OF TYCO. MUST BE RETURNED TO TYCO ON DEMAND, ON COMPLETION OF ORDERS OR OTHER PURPOSES FOR WHICH LENT.

DIMENSIONS ARE IN: INCHES  
SCALE: 1:1  
SIZE: A

TITLE: <b>40mm HEATSINK ASSEMBLY (HTS516-U)</b>	PART NO: <b>4-1542005-9</b>	SHEET: 1 OF 1
DWG. NO. <b>C-4-1542005-9</b>	REV: <b>A</b>	