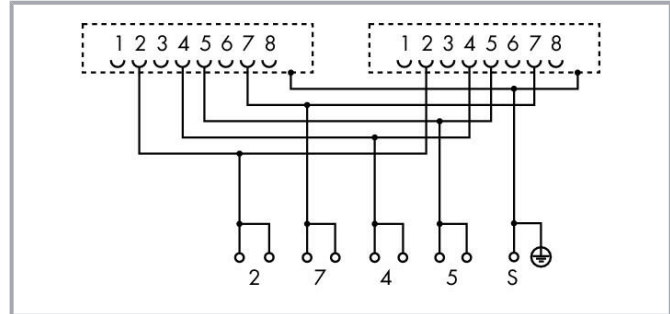
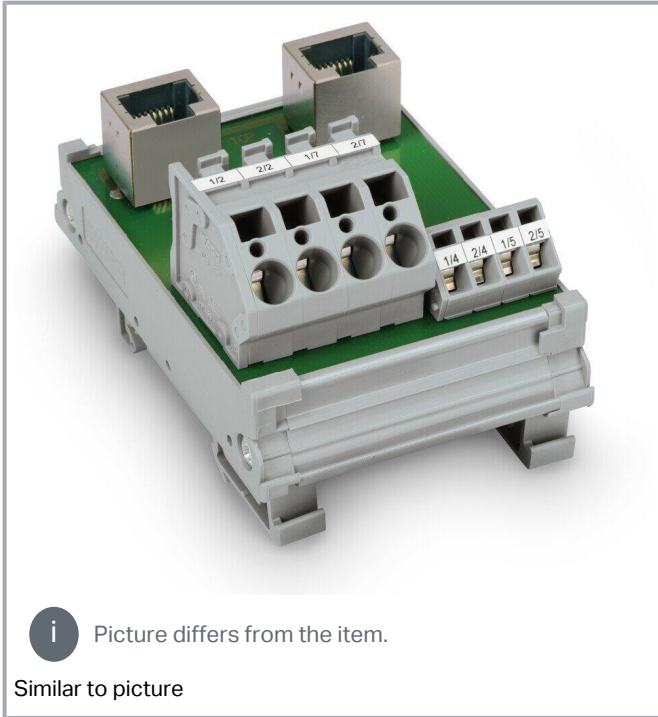


Data sheet | Item number: 289-966

Interface module; 2xRJ-45; PCB terminal blocks, double-row; in mounting carrier; with shield connection

www.wago.com/289-966



Item description

Short description:

Compatible on the field side with the 789-620, 789-621 and 789-622 Current Sensors

Required terminal assignment:

2: + Supply

7: - Supply

4: D+

5: D-

Direct shield connection to the DIN-rail via shield grounding foot

Subject to changes. Please also observe the further product documentation!

WAGO GmbH & Co. KG
Hansastr. 27
32423 Minden
Phone: +49571 887-0 | Fax: +49571 887-169
Email: info.de@wago.com | Web: www.wago.com

Do you have any questions about our products?
We are always happy to take your call at +49 (571) 887-44222.



Data

Electrical data

Nominal current	1.5 A
Insulation resistance	≥ 500 MΩ
Specialty functions	with shield connection With shield clamping saddle

Safety and protection

Dielectric strength (contact/contact) (AC, 1 min)	0.5 kV _{rms}
---------------------------------------------------	-----------------------

Connection data

Mating cycles	500
Connection cable	Shielded RJ-45 cable assembly (recommended: UTP, STP)
WAGO shield clamping saddle	27 mm wide; cable diameter up to 24 mm

Connection 1

Connector	2 x RJ-45 (shielded)
Pole number 1	8
Connection type 1	System
Note (conductor cross-section)	12 AWG: THHN, THWN
Connection type	RJ-45

Connection 2

Design 2	PCB terminal blocks
Pole number 2	8
Connection type 2	Clamping units 2, 7
Connection technology 2	CAGE CLAMP®
WAGO connector 2	WAGO 236 Series
Solid conductor 2	0.08 ... 2.5 mm ² / 28 ... 12 AWG
Fine-stranded conductor 2	0.08 ... 2.5 mm ² / 28 ... 12 AWG
Strip length 2	5 ... 6 mm / 0.2 ... 0.24 inches

Connection 3

Design 3	PCB terminal blocks
----------	---------------------

Subject to changes. Please also observe the further product documentation!



Pole number 3	4
Connection type 3	Clamping units 4, 5
Connection technology 3	CAGE CLAMP®
WAGO connector 3	WAGO 745 Series
Solid conductor 3	0.2 ... 6 mm ² / 24 ... 10 AWG
Fine-stranded conductor 3	0.2 ... 6 mm ² / 24 ... 10 AWG
Strip length 3	11 ... 12 mm / 0.43 ... 0.47 inches

Physical data

Width	69 mm / 2.717 inches
Height	85 mm / 3.346 inches
Depth from upper-edge of DIN-rail	40 mm / 1.575 inches

Mechanical Data

Mounting type	DIN-35 rail
Housing design	Mounting carrier
Mating cycles	500

Material Data

Fire load	1.066 MJ
Weight	106.9 g

Environmental requirements

Ambient temperature (operation)	-20 ... +85 °C
---------------------------------	----------------

Commercial data

Product Group	6 (INTERFACE ELECTRONIC)
eCl@ss 10.0	27-44-03-02
eCl@ss 9.0	27-44-03-02
ETIM 8.0	EC001132
ETIM 7.0	EC001132
PU (SPU)	5 (1) pcs
Packaging type	box
Country of origin	DE
GTIN	4050821001218
Customs tariff number	85366990990

Subject to changes. Please also observe the further product documentation!

WAGO GmbH & Co. KG
 Hansastr. 27
 32423 Minden
 Phone: +49571 887-0 | Fax: +49571 887-169
 Email: info.de@wago.com | Web: www.wago.com

Do you have any questions about our products?
 We are always happy to take your call at +49 (571) 887-44222.

Environmental Product Compliance

RoHS Compliance Status

Compliant, No Exemption

Downloads

Documentation

Bid Text

289-966 docx - Datei	2019 Feb 20	docx 15.6 kB	Download
-------------------------	-------------	-----------------	----------

289-966 X81 - Datei	2019 Feb 19	xml 4.2 kB	Download
------------------------	-------------	---------------	----------

Instruction Leaflet

		pdf 1.3 MB	Download
--	--	---------------	----------

Additional Information

Disposal and Recycling Electrical and electronic equipment, Batteries, Packaging	V 1.1.0 2022 Aug 18	pdf 2.2 MB	Download
-------------------------------------------------------------------------------------	------------------------	---------------	----------

CAD/CAE-Data

CAE data

WSCAD Universe 289-966		URL	Download
------------------------	--	-----	----------

Environmental Product Compliance

Compliance Search

Environmental Product Compliance 289-966 Interface module; 2xRJ-45; PCB terminal blocks, double-row; in mounting carrier; with shield connection		URL	Download
-----------------------------------------------------------------------------------------------------------------------------------------------------	--	-----	----------

Installation Notes

Subject to changes. Please also observe the further product documentation!