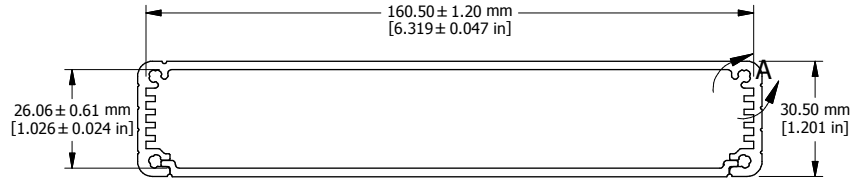
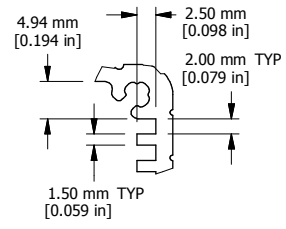


2

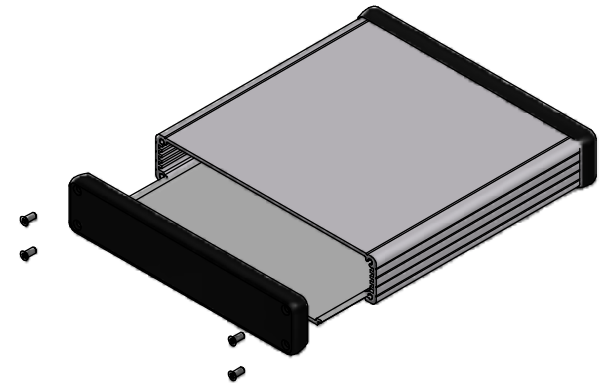
1



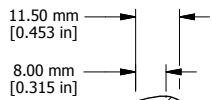
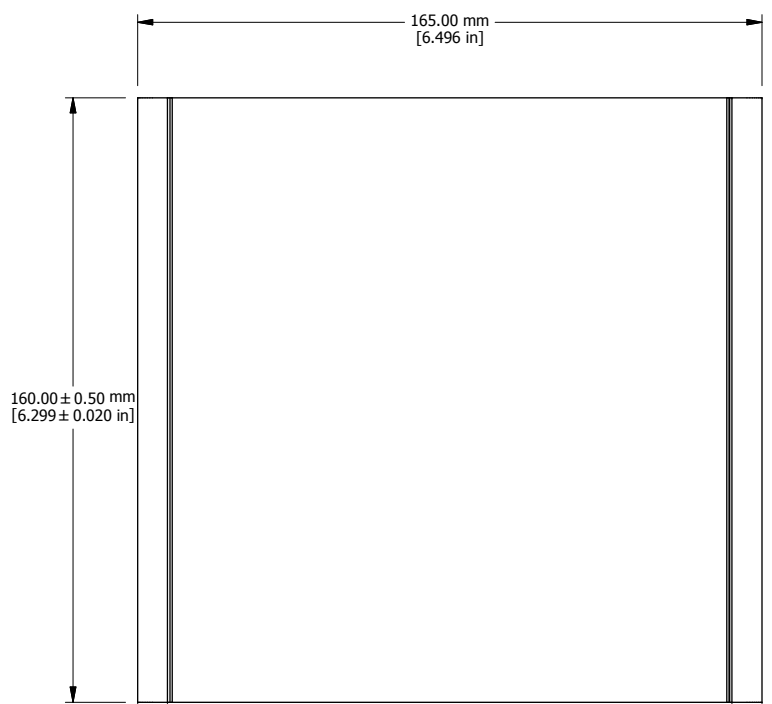
EXTRUSION



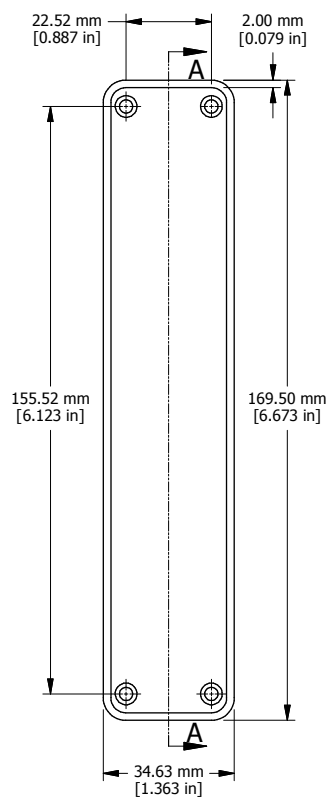
DETAIL A



EXPLODED ASSEMBLY VIEW



SECTION A-A



CLOSED BEZEL

EXTRUSION DESIGNED FOR 160MM WIDE PC BOARD

Enclosures can be Factory Modified (Milling, Drilling, Printing etc.)
Solid models of this enclosure available in STEP or IGES.
Contact Factory mjm@hammondmfg.com

NOTE
 Purchased assembly includes box, plastic bezels, #6 Taptight screws and self adhesive rubber feet.
 Box made from Extruded Aluminum 6063.
 Bezels made with ABS.

| 1455R1602 | |
|------------------------------|-------------|
| PART NUMBERS | |
| Clear Anodized | 1455R1602 |
| Black Anodized | 1455R1602BK |
| ACCESSORIES | |
| See website for accessories. | |



2

1