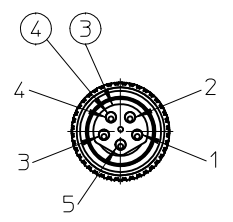
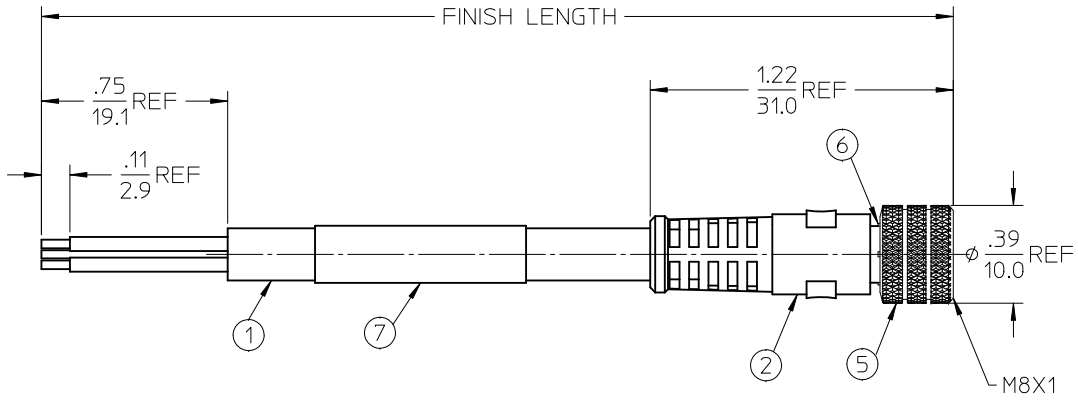
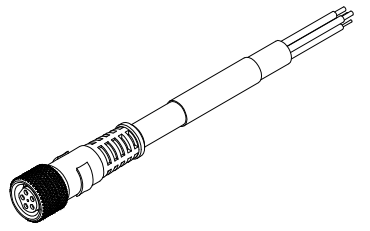


10	9	8	7
MATERIAL	ENG-NUMBER	LENGTH	LENGTH TOL.
1300290001	405000D12M010	1M (3'-4")	+58.7MM -(+2.31" -0")



NOTES:

- 1.) MATERIAL: SEE TABLE
- 2.) FINISHES: SEE TABLE
- 3.) ELECTRICAL: 60VAC 75VDC, 1.68 AMPS
- 4.) CABLE:
TWO SHIELDED PAIRS
26AWG/ 4C 300VDC
-20 TO +70°C @ 1.68 AMPS
- 5.) IP67
- 6.) ASSEMBLY IS RoHS COMPLIANT

WIRING CONNECTION

DRAIN	BARE	1
V+	RED	2
CAN_H	WHITE	3
V-	BLACK	4
CAN_L	BLUE	5

7	1	MFG LABEL	PLASTIC FILM	BLACK/YELLOW
6	1	O-RING	VITON	RED
5	1	FEMALE COUPLING NUT	BRASS	NICKEL PLATED
4	5	FEMALE CONTACT	Cu ALLOY	GOLD PLATED
3	1	NC 5 POLE FEM. INSERT	PUR	BLACK
2	1	OVERMOLD BODY	TPE	GRAY
1	1	CABLE, 4P, 26 AWG	PVC JACKET	GRAY
ITEM	QTY	DESCRIPTION	MATERIAL	FINISH

CREATE DOC. EC NO: WNA2010-0452 DRAWN: BRUPERT 2010/01/25 CHKD: B. WOODMAN 2010/01/29 APPR: J. MURPHY 2010/01/29	QUALITY SYMBOLS ▽=0 ▽=0	GENERAL TOLERANCES (UNLESS SPECIFIED) 4 PLACES ± --- ± --- 3 PLACES ± --- ± --- 2 PLACES ± --- ± --- 1 PLACE ± --- ± --- ANGULAR ±1/2°	DIMENSION STYLE IN/MM DRAWN BY DATE B. RUPERT 01/15/2010 CHECKED BY DATE B. WOODMAN 01/15/2010 APPROVED BY DATE J. MURPHY 2010/01/29	SCALE 2:1 DESIGN UNITS INCH	THIRD ANGLE PROJECTION
		TITLE NC 5P STR FEMALE DEVICENET			
		MATERIAL NO. SEE CHART DOCUMENT NO. SD-130029-001			
		DRAFT WHERE APPLICABLE MUST REMAIN WITHIN DIMENSIONS THIS DRAWING CONTAINS INFORMATION THAT IS PROPRIETARY TO MOLEX INCORPORATED AND SHOULD NOT BE USED WITHOUT WRITTEN PERMISSION			