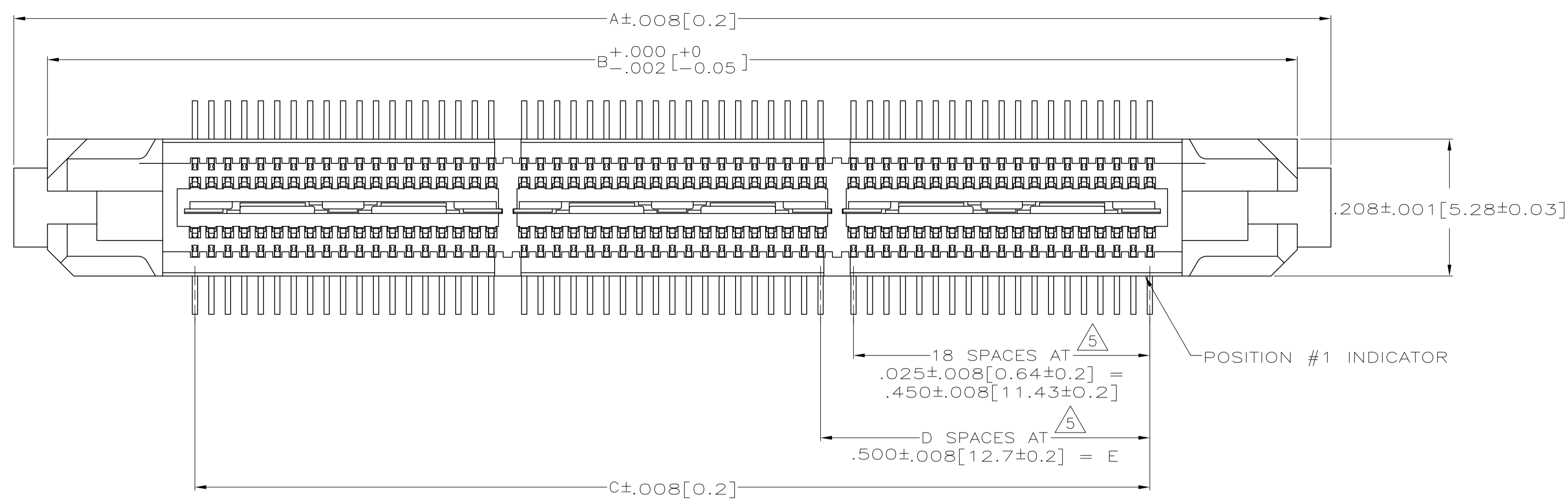
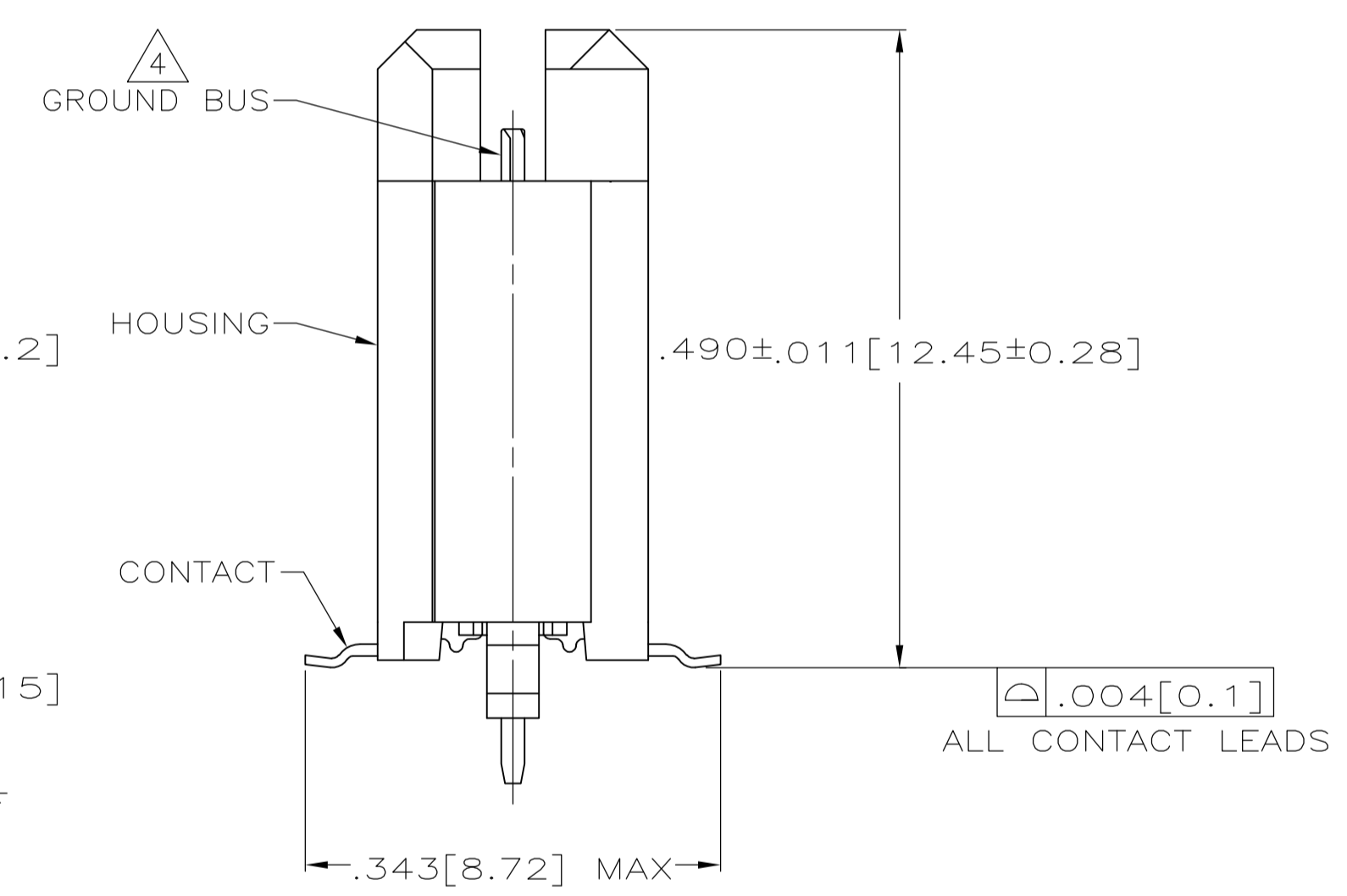
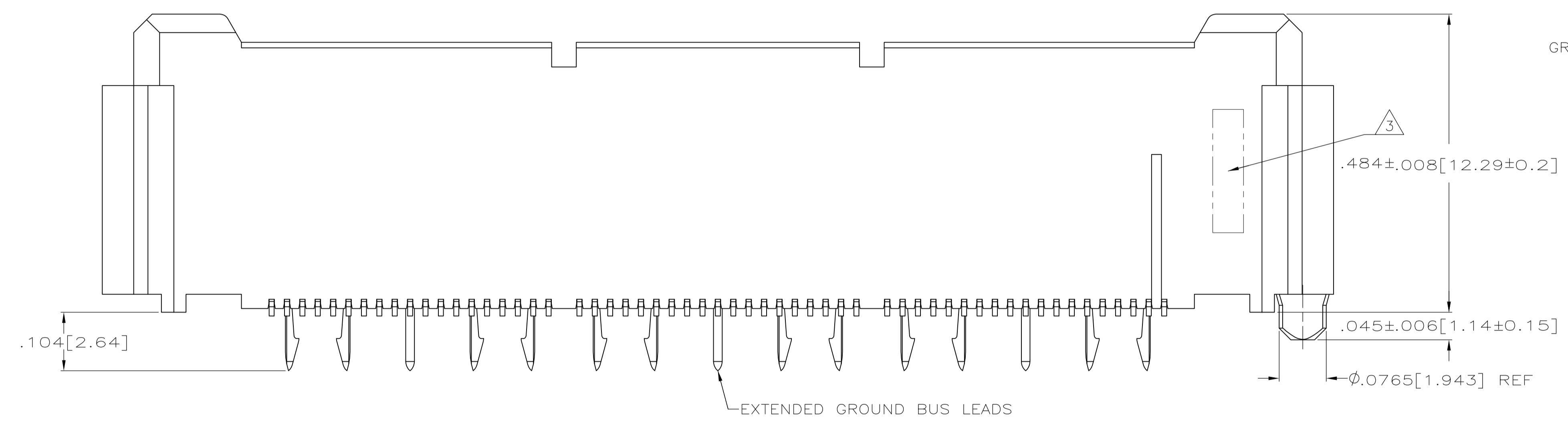


LOC		DIST		REVISIONS				
AD	47	REV	LTR	DESCRIPTION	DATE	DNW	APVD	
A2		REVISED	PER	ECO-12-007590	19JUL12	KH	MH	

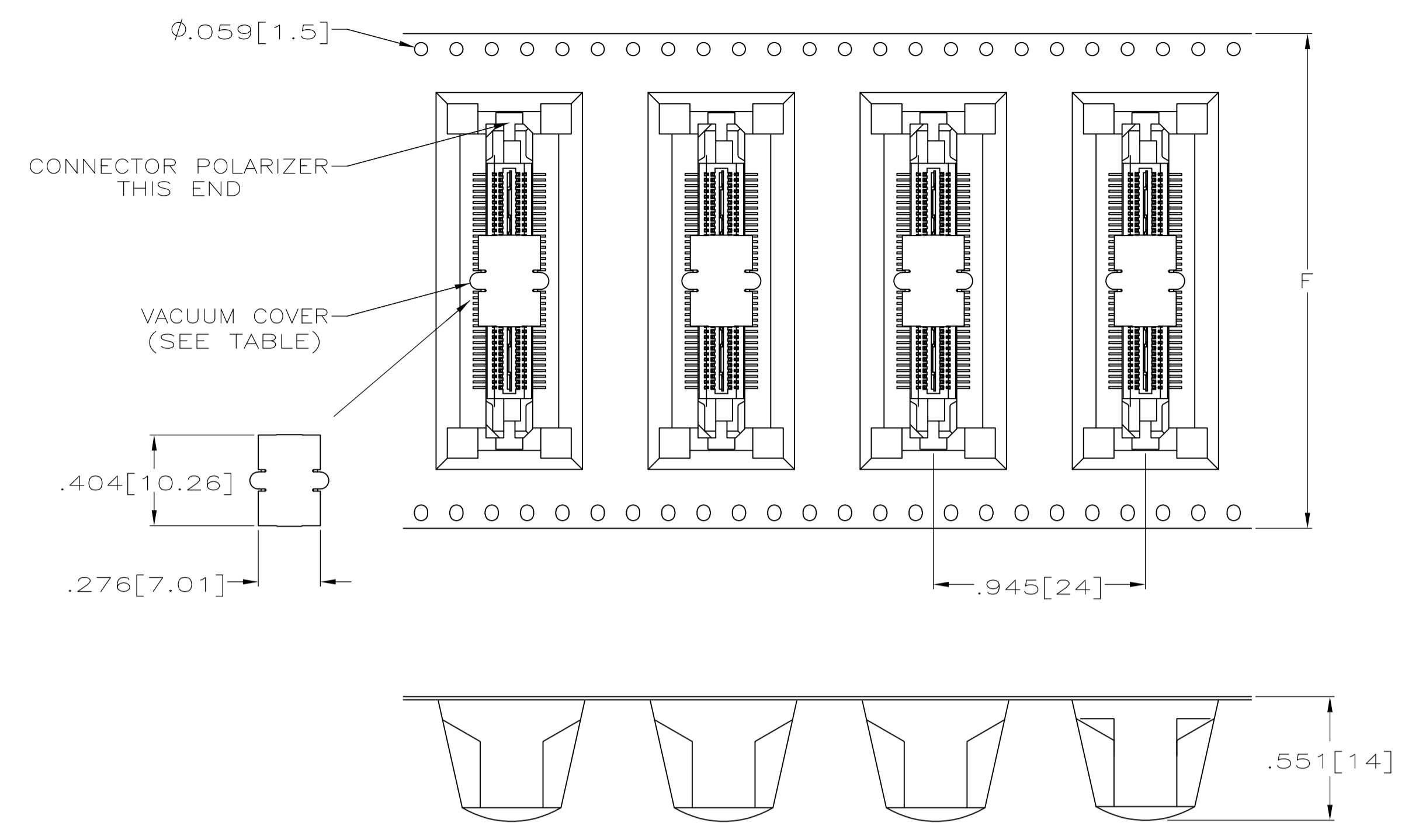


- 1 HOUSING: LIQUID CRYSTAL POLYMER, COLOR BLACK.
CONTACTS: HIGH RELIABILITY COPPER ALLOY.
GROUND BUSES: BRASS, UNS C26000
- 2 CONTACTS & GROUND BUSES: NICKEL UNDERPLATE ALL OVER,
MATING SURFACE PLATED TO MEET LEVEL 2 PERFORMANCE
REQUIREMENTS OF TE PRODUCT SPECIFICATION 108-1422,
SOLDER TAILS PLATED MATTE TIN.
- 3 DATE CODE MARKED IN AREA INDICATED ON SIDE OPPOSITE
POSITION #1.
- 4 ONE GROUND BUS WITH 5 TAILS PER EACH MODULE.
- 5 TOLERANCE NON-ACCUMULATIVE.
- 6 FOR STANDARD APPLICATIONS, ORIENTATION HOLE TO BE
 $\phi .094 \pm .002 [2.39 \pm 0.05]$.
FOR SLIP-FIT APPLICATIONS, ORIENTATION HOLE TO BE
 $\phi .079 \pm .001 [2.00 \pm 0.03]$.
- 7 CONNECTORS PACKAGED ON 13 INCH DIA REELS PER EIA 481.

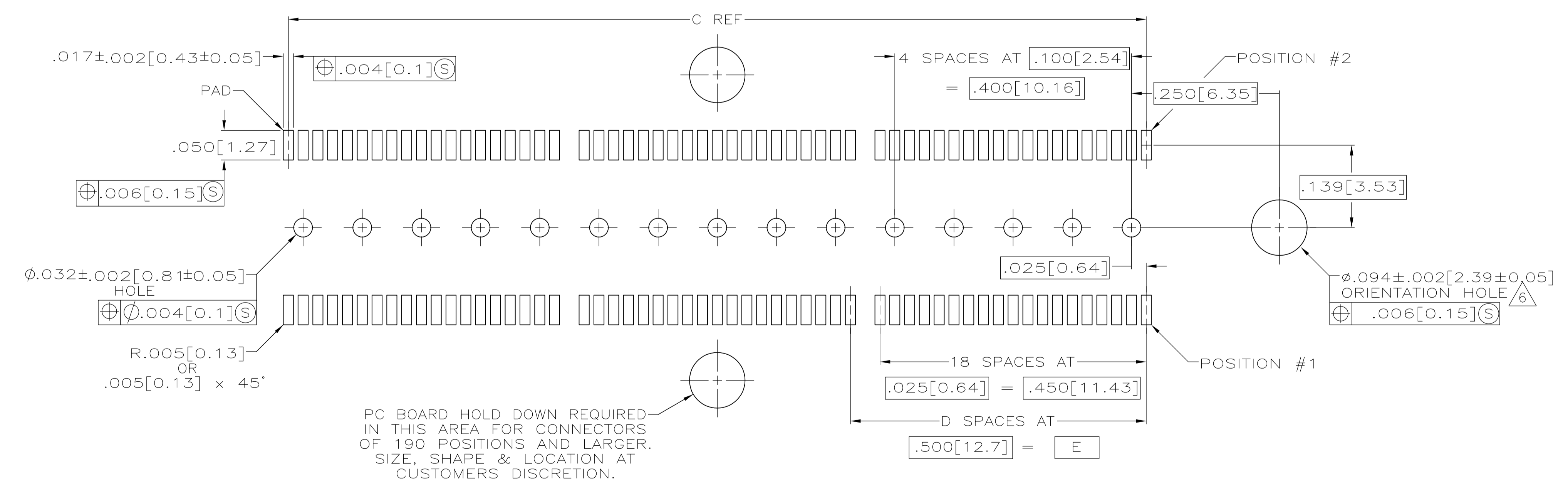


SEE SHEET 2 FOR RECOMMENDED PC BOARD LAYOUT AND PACKAGING DETAIL

NO	4.724 [120]	3.000 [76.2]	6	3.450 [87.63]	3.898 [99.01]	4.000 [101.6]	266	1-5767151-4
VACUUM COVER INCLUDED	F	E	D	C	B	A	NO OF POS	PART NUMBER
THIS DRAWING IS A CONTROLLED DOCUMENT.		DIN A FERNANDEZ 27 OCT 04		APVD D DIXON 27 OCT 04		NAME		
DIMENSIONS: INCHES		TOLERANCES UNLESS OTHERWISE SPECIFIED:		PRODUCT SPEC		PLUG ASSEMBLY, .495 [12.57] VERTICAL, .025 [0.64] CL, GULL WING LEADS, POCKET TAPE PACKAGED, MICTOR		
0 PLC ± -		1 PLC ± -		2 PLC ± -		APPLICATION SPEC		
3 PLC ± -		4 PLC ± -		ANGLES ± -		114-11004		
MATERIAL 1		FINISH 2		WEIGHT -		SIZE: A1 00779 C=5767151		
				CUSTOMER DRAWING		SCALE: 8:1 SHEET 1 OF 2 REV A2		



PACKAGING DETAIL ∇
SCALE 2:1
DIMENSIONS ARE FOR REFERENCE



RECOMMENDED PC BOARD LAYOUT
(VIEWED FROM CONNECTOR SIDE)

THIS DRAWING IS A CONTROLLED DOCUMENT.		DIN A FERNANDEZ 27 OCT 04		STE TE Connectivity	
DIMENSIONS: INCHES		TOLERANCES UNLESS OTHERWISE SPECIFIED:		NAME	
0. PLC ± -		1. PLC ± -		D. DIXON 27 OCT 04	
1. PLC ± -		2. PLC ± -		PRODUCT SPEC	
2. PLC ± -		3. PLC ± .005(0.13)		108-1422	
3. PLC ± -		4. PLC ± -		APPLICATION SPEC	
4. PLC ± -		ANGLES ± -		114-11004	
MATERIAL		FINISH		SIZE	
				A1 00779	
				DRAWING NO	
				5767151	
				RESTRICTED TO	
				CUSTOMER DRAWING	
				SCALE 8:1 SHEET 2 OF 2 REV A2	