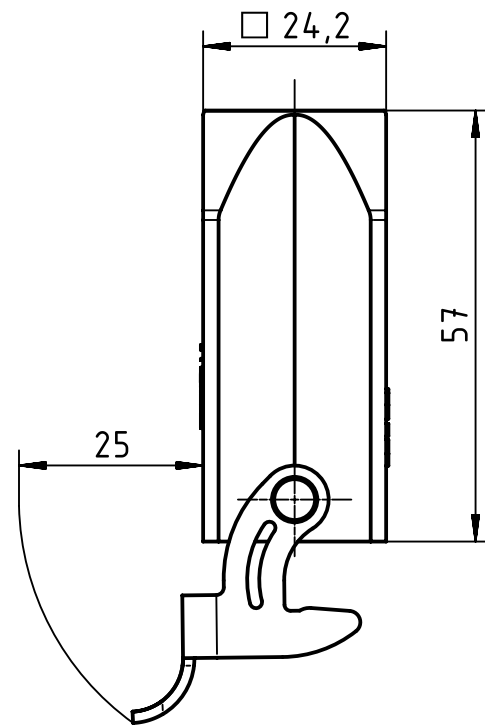
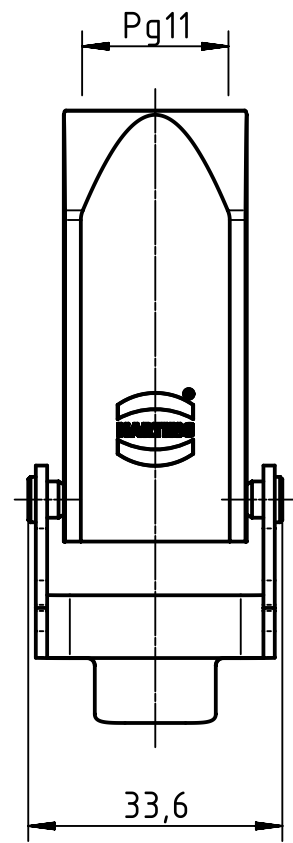
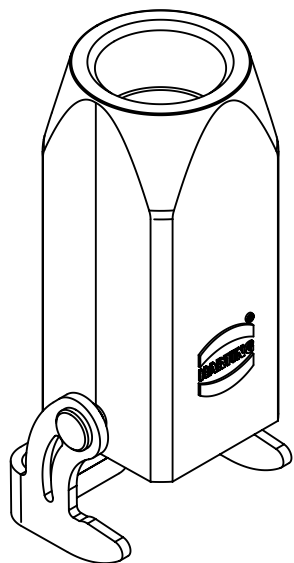


A


B

C

D



Insert fixing screw M3x6 enclosed

	All rights reserved Department EL PD - DE	All Dimensions in mm Original Size DIN A4		Scale 1:1	Free size tol.		Ref. Sub. TB 09 37 003 1750 v. 17.03.95		
		Created by SPRENB	Inspected by BERGHORN	Standardisation TIEMANNA	Date 2013-06-13	State Final Release		Doc-Key / ECM-Nr. 100540863/UGD/001/A 500000060959	
HARTING Electric GmbH & Co. KG D-32339 Espelkamp		Title Han M Hood Coupler 1 Lever PG 11					Rev. A		Page 1/1
		Type TB	Number 09 37 003 1750						