

13 12 11 10 9 8 7 6 5 4 3 2 1

MATERIALS AND FINISHES

MATERIALS:

BODY, FRONT -- BRASS
PLATED NICKEL

BODY, BASE -- BRASS
PLATED TIN

CENTER CONTACT -- BRASS
PLATED GOLD

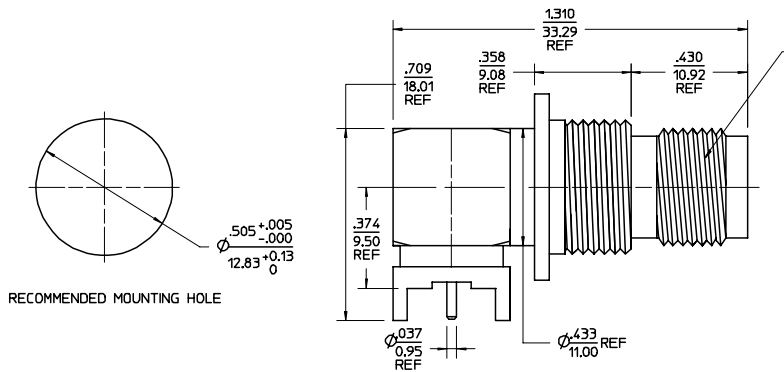
INSULATOR -- TEFLON

COVER -- BRASS
PLATED NICKEL

RETAINING RING --BRASS
PLATED NICKEL

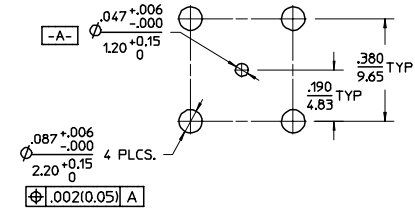
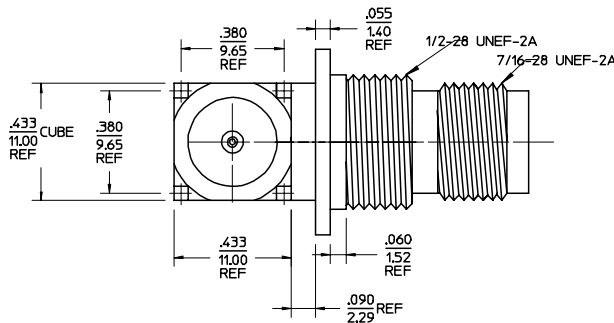
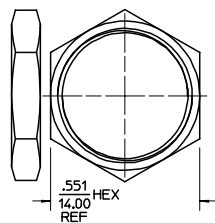
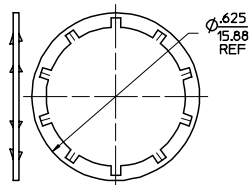
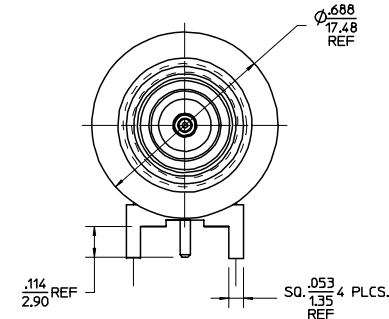
JAM NUT -- BRASS
PLATED NICKEL

LOCK WASHER -- PHOSPHOR BRONZE
PLATED NICKEL



RECOMMENDED MOUNTING HOLE

TNC JACK REVERSE POLARITY



PART # 73216-1120

A	B	CHG: PLATING WAS TIN/LEAD ON BASE BODY. A3	EC NO: URF2008-0112 DRAWN: ARROBERTSON 2007/08/22 CHKD: 2007/08/22 APPR: JIM ENEER 2007/08/29	QUALITY SYMBOLS 	GENERAL TOLERANCES (UNLESS SPECIFIED) mm INCH 4 PLACES ± --- ± --- 3 PLACES ± --- ± --- 2 PLACES ± --- ± --- 1 PLACE ± --- ± --- ANGULAR ±1/2°	DIMENSION STYLE IN/MM DRAWN BY DATE AZR 2003/05/16 CHECKED BY DATE TEF 2003/06/23 APPROVED BY DATE GMH 2003/06/23	SCALE DESIGN UNITS INCH THIRD ANGLE PROJECTION	TITLE TNC, JACK R/A PCB REVERSE POLAR 50 OHMS EWR-2063, TNC-J/PCB/RP	MATERIAL NO. 732161120	DOCUMENT NO. SD-73216-112	SHEET NO. 1 OF 1
					DRAFT WHERE APPLICABLE MUST REMAIN WITHIN DIMENSIONS	THIS DRAWING CONTAINS INFORMATION THAT IS PROPRIETARY TO MOLEX INCORPORATED AND SHOULD NOT BE USED WITHOUT WRITTEN PERMISSION	MOLEX MOLEX INCORPORATED				

12 11 10 9 8 7 6 5 4 3 2 1