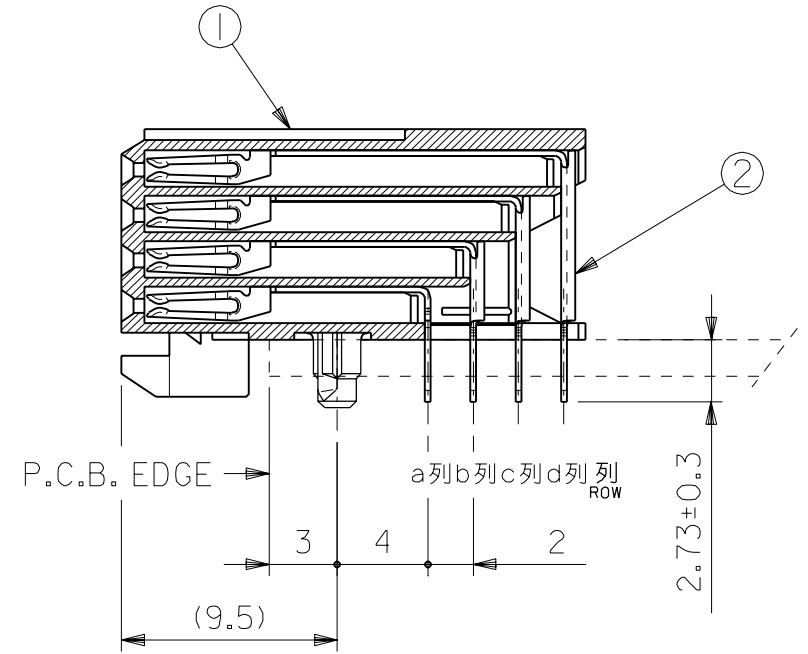
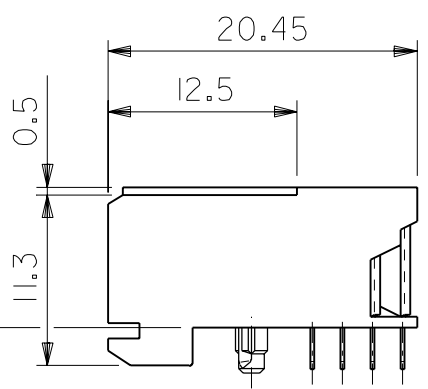
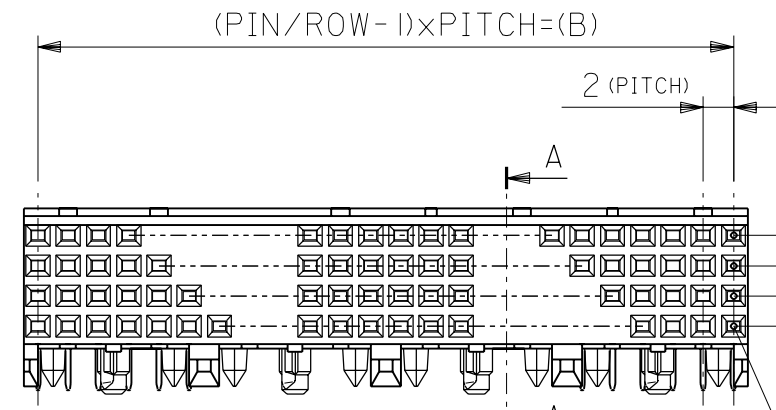
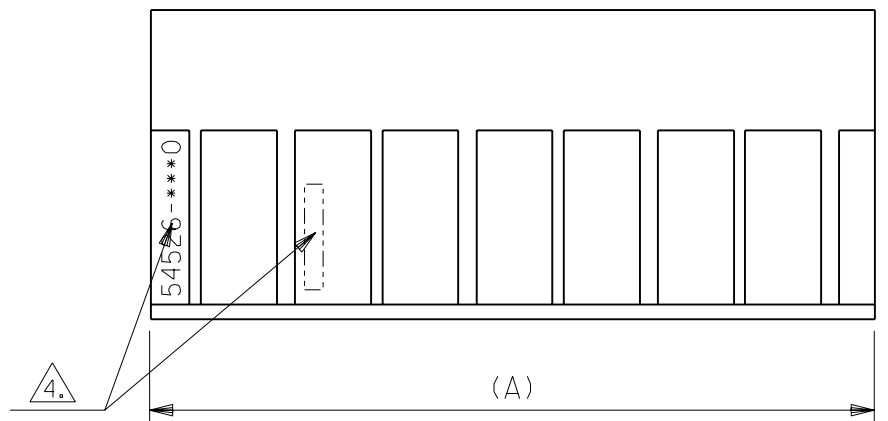
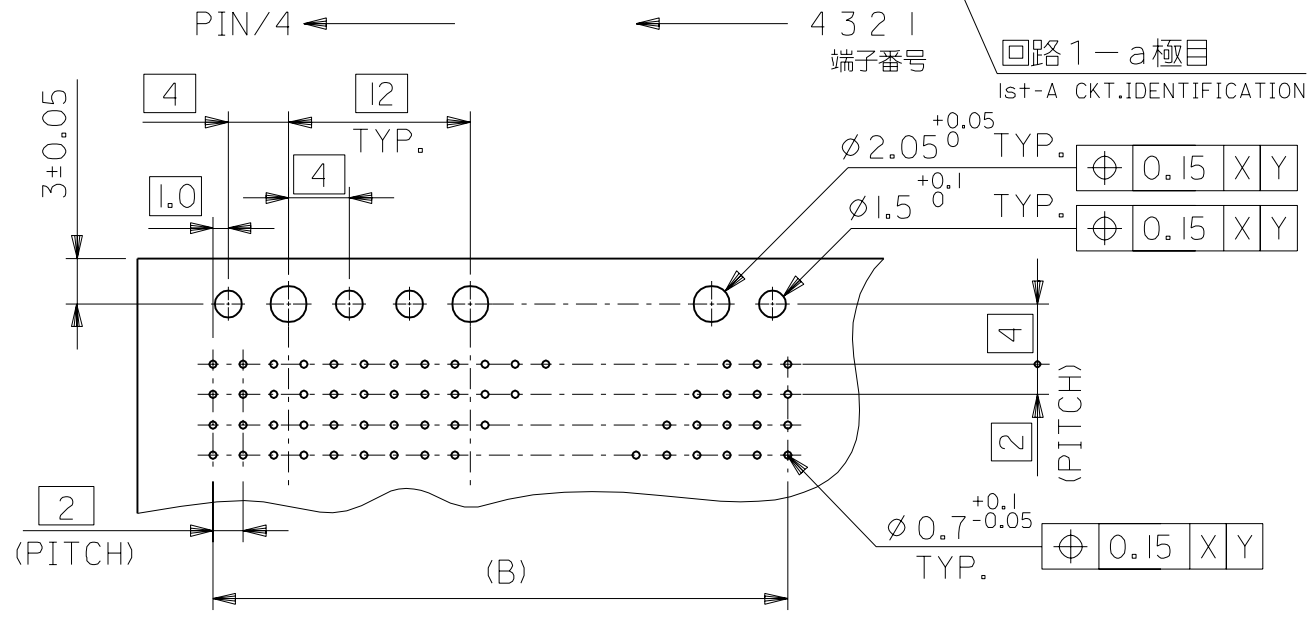


DWG. NO.
SD-54526-003

番号 No.	部品 PART NAME	材質 MATERIAL	仕上げ FINISH
①	リセプタクル ハウジング RECEPTACLE HOUSING	液晶ポリマー、ガラス充填、自然色(白)、UL94V-0 LCP, GLASS FILLED, NATURAL(WHITE), UL94V-0	—#—
②	リセプタクル ターミナル RECEPTACLE TERMINAL	リン青銅 PHOSPHOR BRONZE	△1.



A-A
(NON-SCALE)



基板穴推奨寸法 (部品実装)
RECOMMENDED P.C.B. LAYOUT (COMPONENT SIDE)

- 注記
NOTE :
- ④ ターミナル めっき仕様
TERMINAL PLATING
金めっき: 0.38 μm MIN. (接点部)
GOLD: 0.38 μm MIN. (CONTACT AREA)
半田めっき: 1.0 μm MIN. (半田付け部)
TIN-LEAD: 1.0 μm MIN. (SOLDER AREA)
ニッケルメッキ: 2.0 μm MIN. (下地めっき)
NICKEL: 1.0 μm MIN. (UNDER PLATING)
 - 2. 推奨基板厚: t=1.6
RECOMMENDED P.C.B. THICKNESS: t=1.6
 - 3. 適合プラグ: 53901-***4, 55222-***4, 55089-***4
APPLICABLE PLUG: 53901-***4, 55222-***4, 55089-***4
 - ④ 製品番号及びロットナンバー
MATERIAL NO. & LOT NO.

94	95.98	54526-1920	192
58	59.98	54526-1200	120
46	47.98	54526-0960	96
22	23.98	54526-0480	48
10	11.98	54526-0240	24
B	A	MATERIAL NO.	PIN

DO NOT SCALE DRAWING

REV				MATERIAL 材料		GENERAL TOLERANCES: (UNLESS SPECIFIED) 一般公差		SCALE 2-1		DESIGN UNITS		PROJECTION		TITLE		SHT		REV	
0				—#—	—#—	10 UNDER 未満	±0.2	2-1	mm	mm	mm	mm	mm	mm	mm	mm	mm	mm	mm
				—#—	—#—	10 OVER 以上	±0.25		mm	mm	mm	mm	mm	mm	mm	mm	mm	mm	mm
				—#—	—#—	30 UNDER 未満	±0.3		mm	mm	mm	mm	mm	mm	mm	mm	mm	mm	mm
				—#—	—#—	30 OVER 以上	±0.3		mm	mm	mm	mm	mm	mm	mm	mm	mm	mm	mm
				—#—	—#—	ANGLE 角度	±3°		mm	mm	mm	mm	mm	mm	mm	mm	mm	mm	mm

REV	DESCRIPTION	DATE	BY	CHK	APP
0	RELEASED	JD00190	S. HOSHIKAWA	A. NODA	H. IKESUGI

MODEL NO. : 54526-***0		DIMENSIONS:		SHT		REV	
		mm INCH		mm INCH		mm INCH	
DRAWN BY & DATE		TITLE: "MFB" B/B CONN. (FB+)		MATERIAL NO.		DRAWING NO.	
CHECKED BY & DATE		REC. ASS'Y		SEE TABLE		SD-54526-003	
APPROVED BY & DATE		4ROWS DIP		SHEET NO.		1 OF 1	
CAD FILENAME		MATERIAL NO.		DRAWING NO.		SHEET NO.	
54526003.S01		SEE TABLE		SD-54526-003		1 OF 1	
THIS DRAWING CONTAINS INFORMATION THAT IS PROPRIETARY TO MOLEX INCORPORATED AND SHOULD NOT BE USED WITHOUT WRITTEN PERMISSION.							
SIZE B							

54526003.S01