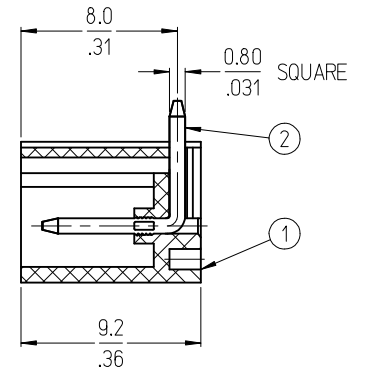
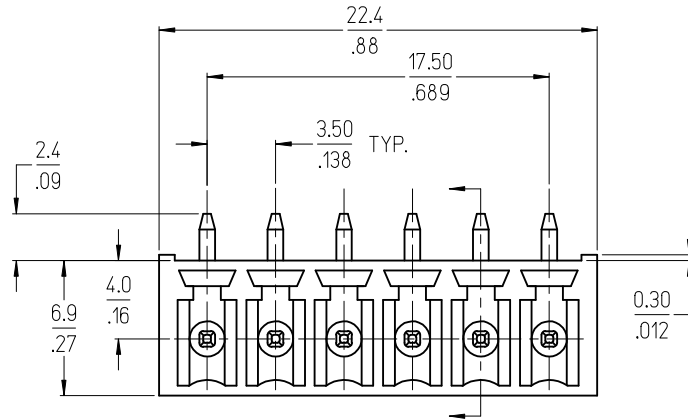


RECOMMENDED PCB LAYOUT
(SCALE 3:1)

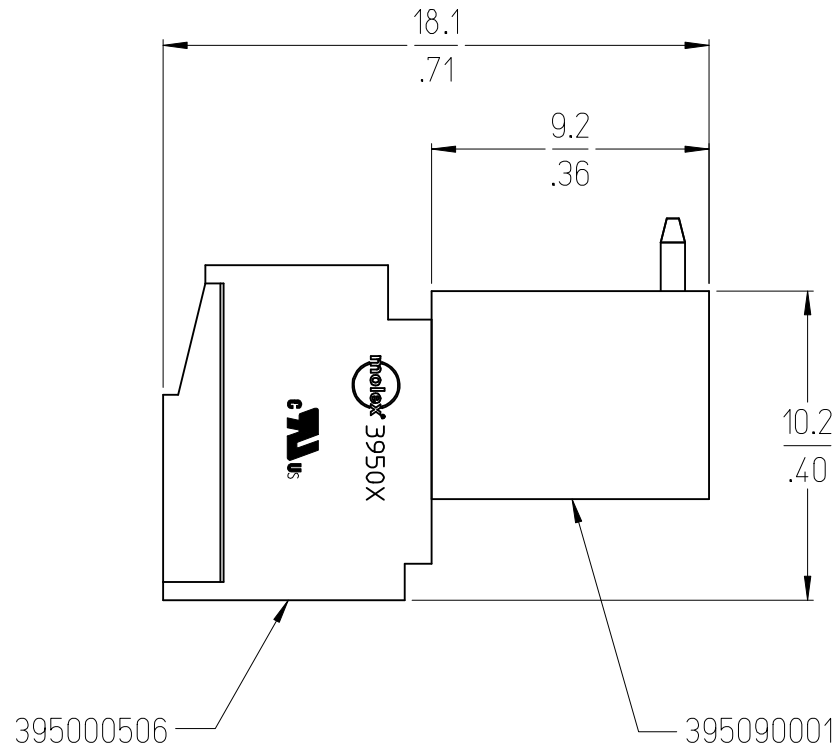


NOTES:

1. MATERIAL:
 - (1) HOUSING: PA46, BLACK
 - (2) TERMINAL: BRASS, PLATED 79µN MIN. NICKEL OVERALL WITH 30 µN MIN. GOLD IN CONTACT AREA, 118µN MIN. MATTE TIN IN SOLDER AREA.
2. ELECTRICAL RATING: 300V, 8A.
3. OPERATING TEMPERATURE: -40°C TO +140°C.
4. PACKAGING: PARTS ARE PACKAGED ON TAPE AND REEL. SEE PK-39509-001 FOR DETAILS.
5. MATES WITH: 395000506
6. ASSEMBLY IS ROHS COMPLIANT.

TOLERANCES			
MM	TOL	INCH	TOL
0-6	±0.25	0-.24	±.010
>6-30	±0.40	.24-1.18	±.016
>30-120	±0.50	1.18-4.76	±.020
>120	±0.80	>4.76	±.031

REVISED DOC TOL EC NO: IFC2017-0881 DRW: ANAGATH 2017/03/23 CHKD: APPR: BRUPERT 2017/04/18	QUALITY SYMBOLS	GENERAL TOLERANCES (UNLESS SPECIFIED)	DIMENSION STYLE	SCALE	DESIGN UNITS	THIRD ANGLE PROJECTION
	▼=0 ▽=0	mm INCH 4 PLACES ±--- ±--- 3 PLACES ±--- ±--- 2 PLACES ±--- ±--- 1 PLACE ±--- ±--- ANGULAR ±---°	MM/IN	INCH	INCH	☉ □ THIRD ANGLE PROJECTION
	DESCRIPTION	DRAFT WHERE APPLICABLE MUST REMAIN WITHIN DIMENSIONS	DRAWN BY DATE	TITLE	MOLEX INCORPORATED	
	A1 SIZE B		C. YORK 2007/02/19 J. MACNEIL 2007/02/19 J. MACNEIL 2007/02/19	HEADER, 3.50MM, RA SPCL. REVERSE BEND PINS W/ SLCT AU&HT HOUSING, 6CKT	MATERIAL NO. 395090001 DOCUMENT NO. SD-39509-001	SHEET NO. 1 OF 1



TOLERANCES			
MM	TOL	INCH	TOL
0-6	±0.25	0-.24	±.010
>6-30	±0.40	.24-1.18	±.016
>30-120	±0.50	1.18-4.76	±.020
>120	±0.80	>4.76	±.031

REVISED DOC TOL EC NO: IPG2017-0881 DRWN:ANAGATH 2017/03/23 CHKD: APPR:BRUPERT 2017/04/18 DESCRIPTION REV	QUALITY SYMBOLS	GENERAL TOLERANCES (UNLESS SPECIFIED)		DIMENSION STYLE MM/IN		SCALE	DESIGN UNITS INCH	THIRD ANGLE PROJECTION	
	▼=0 ◻=0	4 PLACES	mm	INCH	DRAWN BY	DATE	REFERENCE VIEW OF PLUG MATING TO SPCL REVERSE BEND HEADER		
		3 PLACES	± ---	± ---	C. YORK	2007/04/27			
		2 PLACES	± ---	± ---	CHECKED BY	DATE	MOLEX INCORPORATED DOCUMENT NO. SD-39509-002		
	1 PLACE	± ---	± ---	J. MACNEIL	2007/04/27				
		ANGULAR ± ---°		APPROVED BY	DATE	SHEET NO.			
		DRAFT WHERE APPLICABLE MUST REMAIN WITHIN DIMENSIONS		MATERIAL NO. SEE ABOVE		1 OF 1			