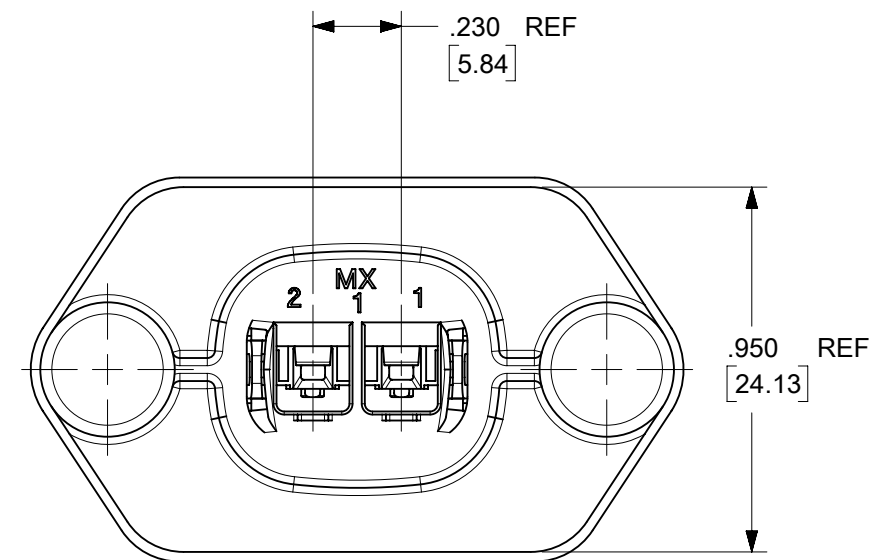
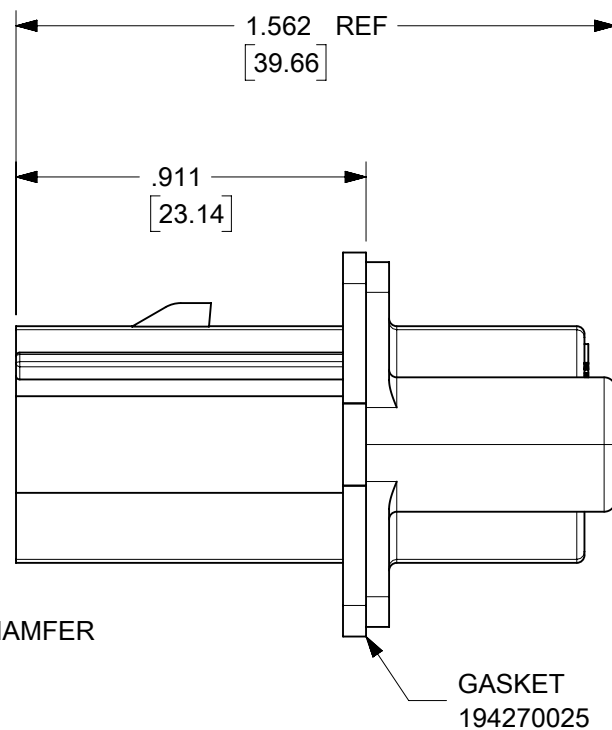
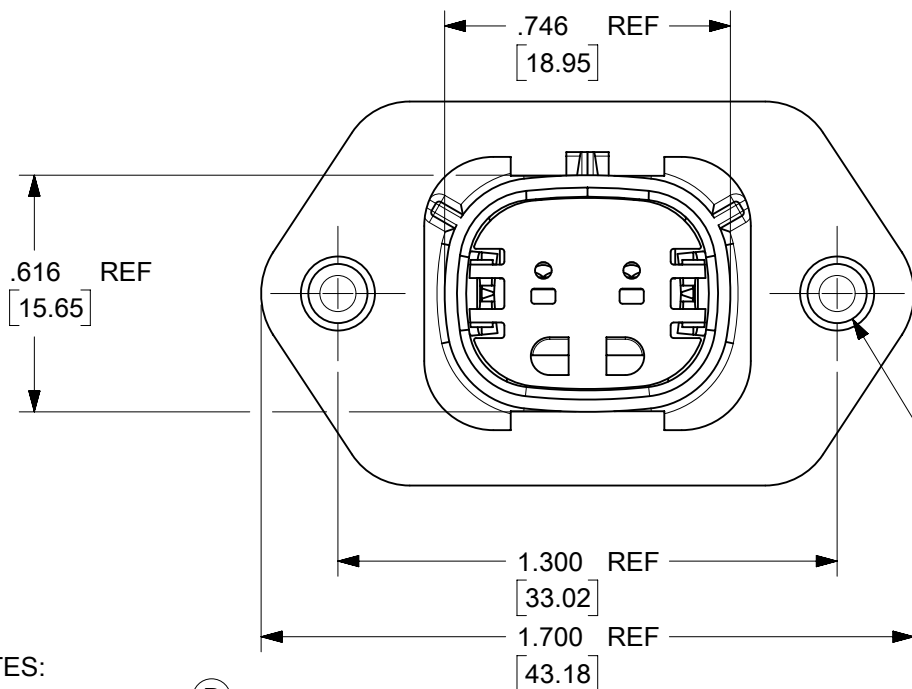


SCALE 1:1



- NOTES:
- MATERIALS: D
HOUSING: SYNDIOTACTIC POLYSTYRENE (SPS), GLASS FILLED, UL94 V-0, COLOR: BLACK
GASKET: EPDM RUBBER
 - PRODUCT SPECIFICATION: PS-19417-001.
 - PACKAGING SPECIFICATION: PK-19429-001.
GASKETS, IF REQUIRED FOR THE ASSEMBLIES, ARE BULK PACKAGED IN A SEPARATE BAG.
 - MATES WITH: 19418 SERIES RECEPTACLE ASSEMBLIES.
 - USE CONNECTOR WITH MALE CRIMP TERMINAL: SERIES 19417.
 - RECOMMENDED MOUNTING HARDWARE: (2)#10 X .62/15.8 LONG PLASTIC THREAD CUTTING SCREWS. RECOMMENDED TORQUE 15-17 IN-LBS.
SUGGESTED SOURCE: ITW SHAKEPROOF INDUSTRIAL BOSSCREW OR EQUIVALENT.
 - ASSEMBLY IS ROHS COMPLIANT.

194290033	YES
194290005	NO
MATERIAL NUMBER	GASKET

THIS DRAWING CONTAINS INFORMATION THAT IS PROPRIETARY TO MOLEX ELECTRONIC TECHNOLOGIES, LLC AND SHOULD NOT BE USED WITHOUT WRITTEN PERMISSION										
FUNCTIONAL SYMBOLS	DIMENSION UNITS	SCALE	CURRENT REV DESC: REDRAWN IN NX & HSG MATERIAL UPDATED							
	in/[mm]	2:1								
DIVISIONAL SYMBOLS	GENERAL TOLERANCES (UNLESS SPECIFIED)		EC NO: 690910							
		MM	INCH	DRWN: RMV02			2021/12/20			
	4 PLACES	±	±	CHK'D: DMYRICK			2022/01/05			
	3 PLACES	±	± 0.015	APPR: JMACNEIL			2022/01/06			
	2 PLACES	±	± 0.38	INITIAL REVISION:			DOCUMENT NUMBER			
	1 PLACE	±	±	DRWN: DMYRICK			SD-19429-001			
	0 PLACES	±	±	APPR: DTITUS			DOC TYPE DOC PART REVISION			
	ANGULAR TOL	±	± 1.0°	THIRD ANGLE PROJECTION			PSD 001 D			
	DRAFT WHERE APPLICABLE MUST REMAIN WITHIN DIMENSIONS			DRAWING		SERIES	MATERIAL NUMBER	CUSTOMER	SHEET NUMBER	
				B-SIZE		19429	SEE CHART	GENERAL MARKET	1 OF 1	