

**PLEASE CHECK WWW.MOLEX.COM FOR LATEST PART INFORMATION**

**Part Number:** **0190190014**  
**Status:** **Active**  
**Overview:** Standard Quick-Disconnect Terminals  
**Description:** Avikrimp Quick Disconnect, Female, for 18-22 (0.80-0.35mm<sup>2</sup>) Wire, Box, Tab 5.21 x 0.51mm

**Documents:**

[Drawing \(PDF\)](#) [Product Specification PS-19902-014-001 \(PDF\)](#)  
[Product Specification PS-19902-011-001 \(PDF\)](#) [RoHS Certificate of Compliance \(PDF\)](#)  
[Product Specification PS-19902-013-001 \(PDF\)](#)

**General**

Product Family Quick Disconnects  
Series 19019  
Crimp Quality Equipment Yes  
Insulated Partial  
Overview Standard Quick-Disconnect Terminals  
Product Name Avikrimp  
Type Quick Disconnect  
UPC 800753037960

**Physical**

Barrel Type Closed  
Color - Resin Red  
Gender Female  
Glow-Wire Capable No  
Insulation Nylon (PA)  
Lock to Mating Part None  
Material - Metal Brass  
Material - Plating Mating Tin  
Material - Plating Termination Tin  
Net Weight 0.726/g  
Orientation Straight  
Packaging Type Bag  
Polarized to Mating Part No  
Tab Thickness 0.51mm  
Tab Width 5.21mm  
Temperature Range - Operating -65° to +105°C  
Wire Insulation Diameter 2.90mm max.  
Wire Size AWG 18, 20, 22

**Electrical**

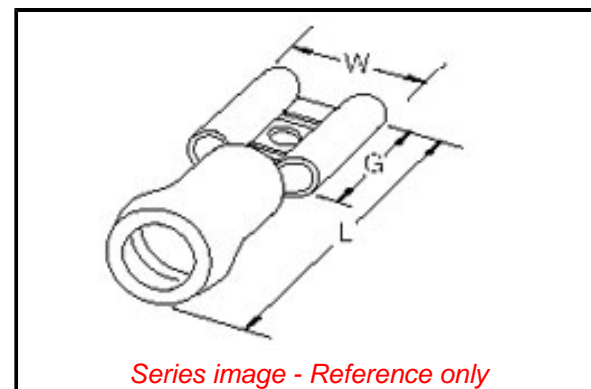
Voltage - Maximum 300V

**Material Info**

Engineering Number AA-8190

**Reference - Drawing Numbers**

Product Specification PS-19902-011-001, PS-19902-013-001,  
PS-19902-014-001  
Sales Drawing AACD80501, SD-19019-001



**EU ELV**

**Not Relevant**

**EU RoHS**

**Compliant**

**REACH SVHC**

Not Contained Per  
-ED/88/2018 (15  
January 2019)

**Halogen-Free**

**Status**

**Not Low-Halogen**

For more information, please visit [Contact US](#)

China ROHS

Not Relevant

ELV

Not Relevant

RoHS Phthalates

Not Contained

**Search Parts in this Series**

19019 Series

**Application Tooling | FAQ**

*Tooling specifications and manuals are found by selecting the products below. Crimp Height Specifications are then contained in the Application Tooling Specification document.*

**Global**

Description	Product #
PremiumGrade Hand Crimp Tool	<u>640010200</u>
Crimp Head for the AT-200 Pneumatic Hand Tool	<u>640050200</u>