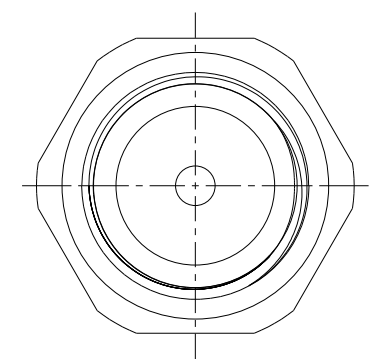
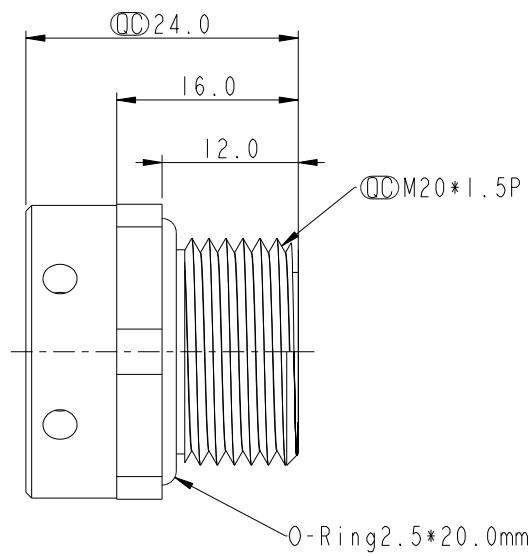
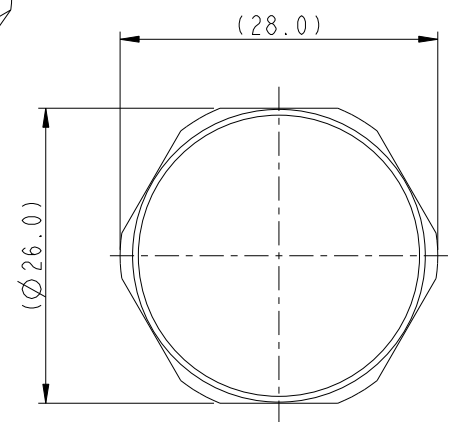
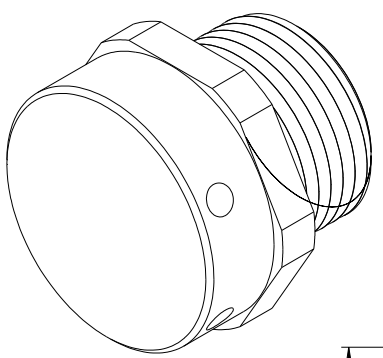


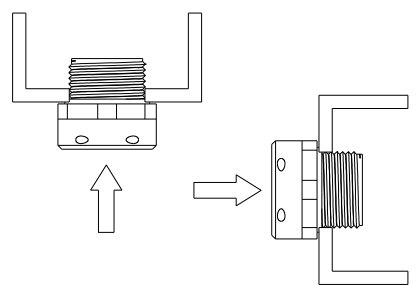
THIS DOCUMENT IS SUBJECT TO CHANGE WITHOUT NOTICE. IT IS CONFIDENTIAL AND A PROPERTY OF Amphenol LTW. DISCLOSURE TO THIRD PARTY HAS TO BE AUTHORIZED BY Amphenol LTW.

REV.	ECN NO.	DATE	SIGN	DESCRIPTION
A		2023-01-06	Kyle Huang	New Item



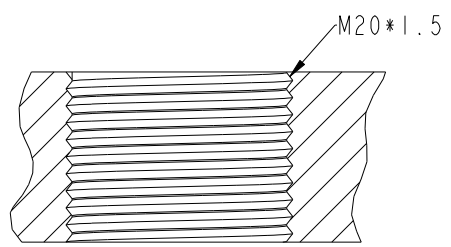
VENT-MS4NME-08001

S4: M20\*1.5 — ME: Metallic



Recommended installation orientation

建議安裝朝向



Recommended Panel Cut-Out

建議開孔尺寸

- Note:
- \* ∅ Important Dimension.
  - \* Waterproof Rate: IP68(2m/1h), IP69K
  - \* Body: Aluminum Alloy, Anodizing
  - \* Cap: Aluminum Alloy, Anodizing
  - \* Membrane: ePTFE
  - \* O-Ring: Siliconer, UL94V-0
  - \* Air Permeability: >2000ml/min@70mbar
  - \* Opening Pressure: 40±5KPa
  - \* Recommended Torque: 3.0~5.0N.m

UNIT: mm		
TOLERANCE	±0.25	
.X	±0.1	
.XX	±0.05	
.XXX	±1°	
ANGLES		

TITLE VENT, M20, METAL, PIERCING TYPE			
SCALE 3:2	SIZE A4	SHEET 1 OF 1	
REV. A	WC-REV. .0	∅: Inspection item	

**Amphenol LTW**  
安費諾亮泰企業股份有限公司

ITEM NO. VENT-MS4NME-08001	DRAWN BY Kyle Huang	DATE 2023-01-06
DWG NO. VENT-MS4NME-08001	CHECKED BY Fisher Wang	DATE 2023-01-06
CUSTOMER ALTW	APPROVED BY Max Yang	DATE 2023-01-06

DATE 2023-01-06
DATE 2023-01-06
DATE 2023-01-06