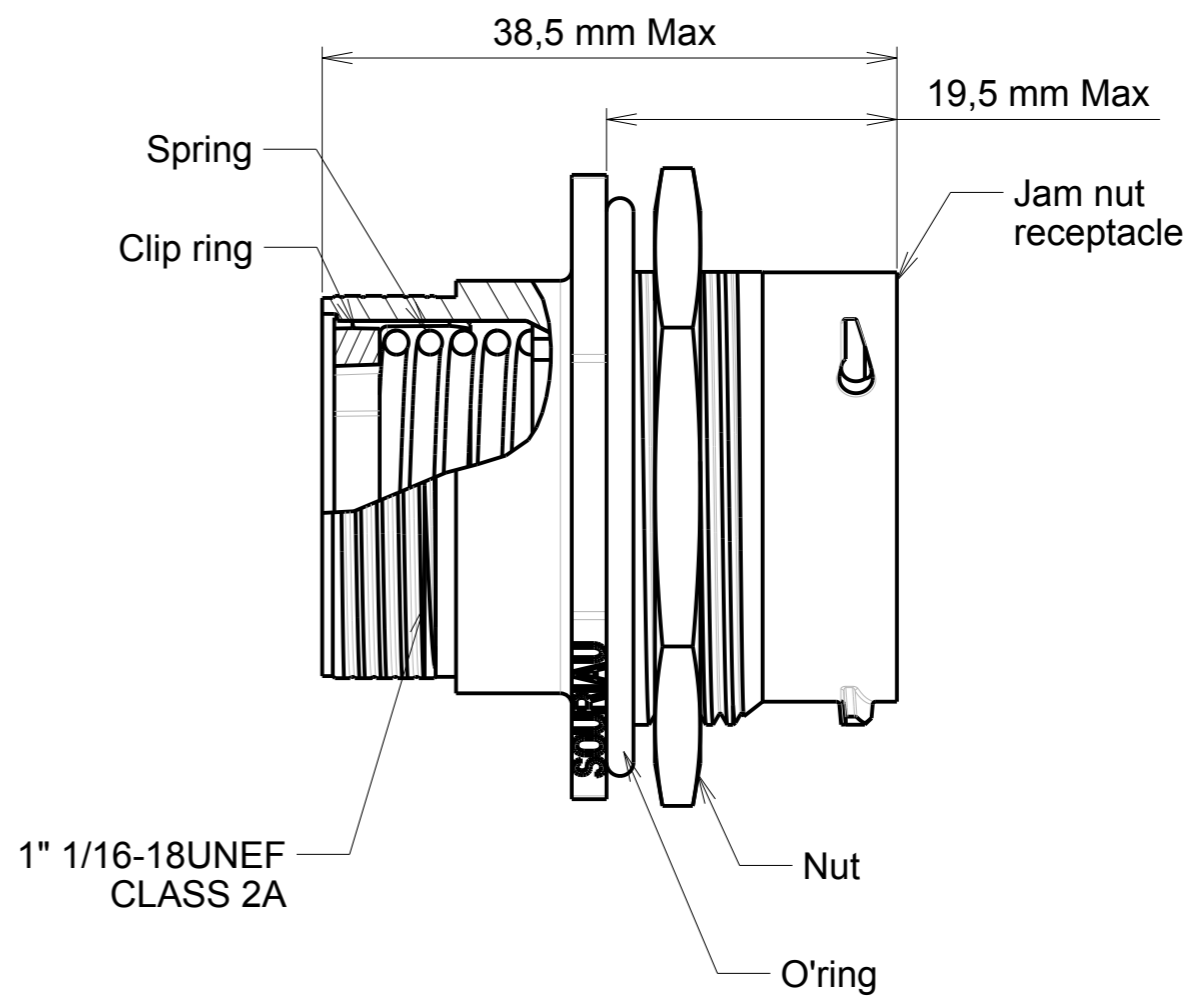
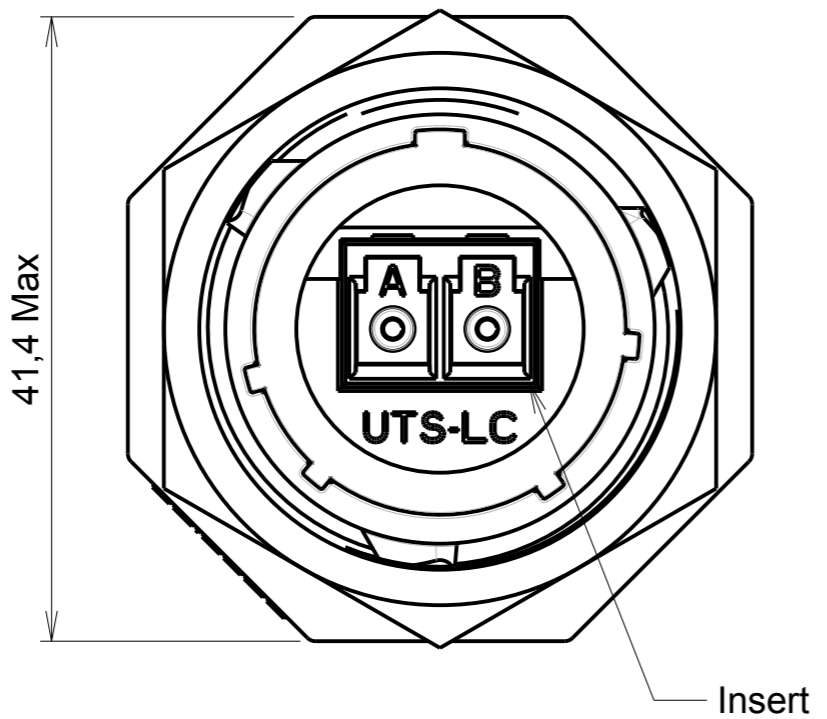


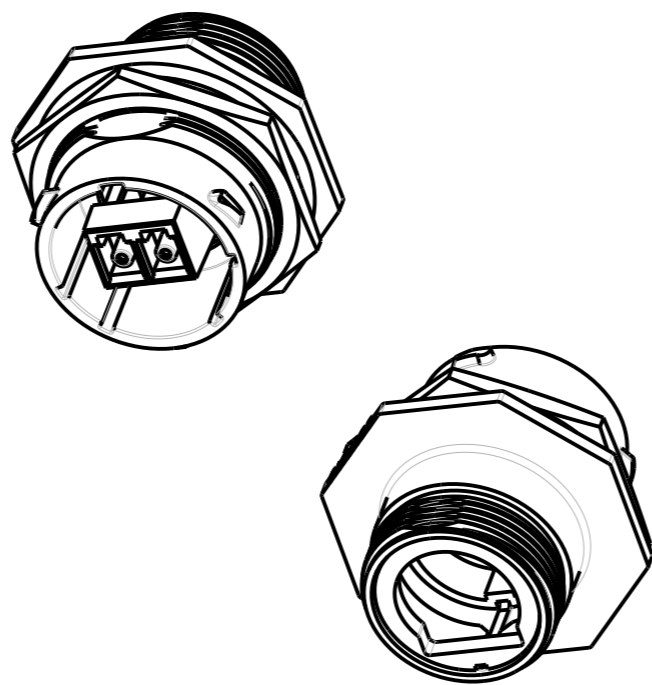
H G F E D C B A

b : 2 ; RL



**PACKAGING :**  
1 mounted receptacle per plastic bag

**MATERIAL :**  
Jam nut receptacle : Plastic  
Insert : Plastic  
Clip Ring : Plastic  
Spring : Stainless steel  
Nut : ROHS Aluminum alloy  
O'ring : Silicone



<b>P/N</b>		<b>UTS718LCN</b>		
<b>b</b>	06/03/14	Reworking of the UTS LC MPO (standard version) folder : Distribution 23434		23434
ISS	DATE	Latest modification - by: M.SORLIN		MOD N°
Designed by: B.MONCELET		Date: 13/12/12	Type of drawing: CUSTOMER	
Checked by: SEE DISTRIBUTION LIST		Date: SEE DISTRIBUTION LIST		
<b>TITLE</b>		Jam nut receptacle size 18 with integrated Dual LC feedthrough adaptor / Unitbox		
Scale	General angular	MATERIAL --		
2/1	Tolerances: ± 1°	--		
	General linear	General machining surface texture	Ra 3.2	Geometrical Tolerances See NF EN ISO 1101
	Tolerances : ±0.1			PROJECT IC123609
<b>SOURIAU</b>		SOURIAU Route Nationale 23 72470 CHAMPAGNE Tel. (33)02.43.54.35.00		This document is the property of SOURIAU It must not be reproduced or communicated without permission
FORMAT	DRAWING REFERENCE			SHEET
A3	UTS718LCN-C01			1/1

NOT EXPORT CONTROLLED

H G F E D C B A