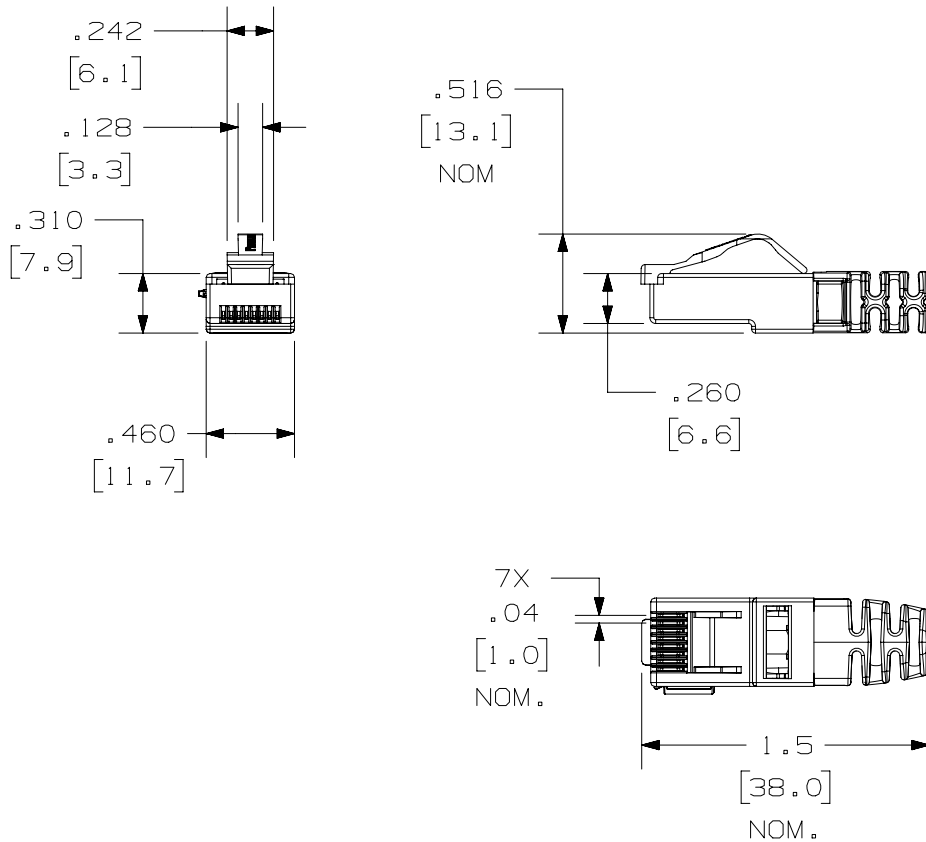
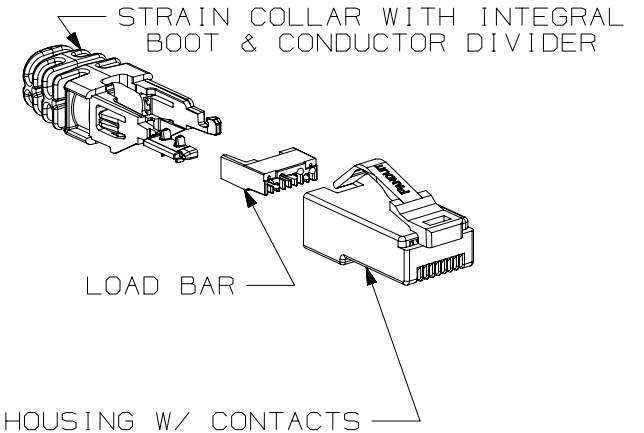


THIS COPY IS PROVIDED ON A RESTRICTED BASIS AND IS NOT TO BE USED IN ANY WAY DETRIMENTAL TO THE INTERESTS OF PANDUIT CORP.



- NOTES:
- VISIT OUR ON-LINE CATALOG AT WWW.PANDUIT.COM FOR A LIST OF CURRENT PARTS APPLICABLE FOR USE WITH THIS PRODUCT.
 - DIMENSIONS IN [] ARE METRIC.
 - ALL MATERIALS AND COMPONENTS USED MEET THE MATERIAL RESTRICTIONS OF RoHS (EUROPEAN DIRECTIVE 2011/65/EU ON THE RESTRICTION OF HAZARDOUS SUBSTANCES) AS PROPOSED BY THE RoHS TECHNICAL ADAPTATION COMMITTEE.
 - WEIGHT: 0.047 LB./10 PCS (21.4 g/10 PCS)
 - PART INCLUDES:
 - STRAIN RELIEF COLLAR W/INTEGRAL BOOT & CONDUCTOR DIVIDER - THERMOPLASTIC UL94V-0 RATED
 - LOAD BAR - THERMOPLASTIC UL94V-0 RATED
 - HOUSING - THERMOPLASTIC UL94V-0 RATED
 - CONTACT TERMINALS - PHOSPHOR BRONZE ELECTROPOLISHED AND PLATED WITH 0.000050" MIN. GOLD IN MATING AREA, GOLD FLASH OVER REMAINDER, 0.000100" MIN. NICKEL UNDERPLATE.
 - PLUG ACCEPTS 4-PAIR CABLE 0.225-0.250" DIA. W/ 23-24 AWG
 - MEETS DIMENSIONAL REQUIREMENTS OF FCC PART 68 AND IEC 60603-7. ALL DIMENSIONS MAXIMUM UNLESS OTHERWISE SPECIFIED.
 - TERMINATED CONTACT HEIGHT DIMENSION: 0.237±0.005"



PART NUMBER		SP688E-C		
TITLE		TX6 PLUS MODULAR PLUG FOR CATEGORY 6 PATCH CORDS		
		CUSTOMER DRAWING		
ITEM REVISION NAME		15M551ZU/08		
DATASET FILE NAME		15M551ZU_DC/08A		
MATERIAL		SEE NOTE 5		
DRAWING NUMBER		15M551ZU-DC		
DRAWN BY		DATE	CHK	SCALE
BJN		3-30-20	JCO	FULL
SHEET 1 OF 1		A		

REV	DATE	BY	CHK	APR	DESCRIPTION	ECN
08A	5-19-22	BJN	KZU	EHA	CAD MODEL UPDATED TO REV 08. NO CHANGES IN DIMENSIONS.	15M551ZU-DC
07A	3-11-22	BJN	KZU	EHA	CAD MODEL UPDATED TO REV 07. NO CHANGES IN DIMENSIONS. REVISED & REDRAWN PREVIOUS REVISIONS REMVD FOR CLARITY	15M551ZU-DC

A-SIZE CUSTOMER