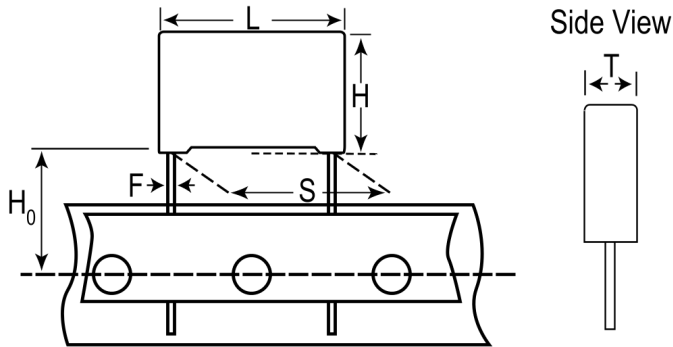


## R66DD3680CK7AM

Aliases (66DD3680CK7AM)

R66, Film, Metallized Polyester Stacked, Automotive Grade, 0.68 uF, 20%, 63 VDC, 85°C, Lead Spacing = 7.5mm



Click [here](#) for the 3D model.

### Dimensions

L	10mm +0.2mm
H	9mm +0.1mm
T	4mm +0.1mm
S	7.5mm +0.6/-0.1mm
H0	18.5mm +/-0.5mm
F	0.6mm +/-0.05mm

### Packaging Specifications

Packaging	T&R
Packaging Quantity	1500

### General Information

Series	R66
Dielectric	Metallized Polyester Stacked
Style	Radial
Features	Automotive Grade, DC Multipurpose Applications
RoHS	Yes
Lead	Wire Leads
Qualifications	AEC-Q200
AEC-Q200	Yes
Component Weight	0.64 g
Miscellaneous	Above 85C DC And AC Voltage Derating Is 1.25%/C.

### Specifications

Capacitance	0.68 uF
Capacitance Tolerance	20%
Voltage AC	40 VAC
Voltage DC	63 VDC
Temperature Range	-55/+105°C
Rated Temperature	85°C
Dissipation Factor	1% 1kHz, 1.5% 10kHz
Insulation Resistance	1.8382 GOhms
Max dV/dt	120 V/us
Inductance	8 nH