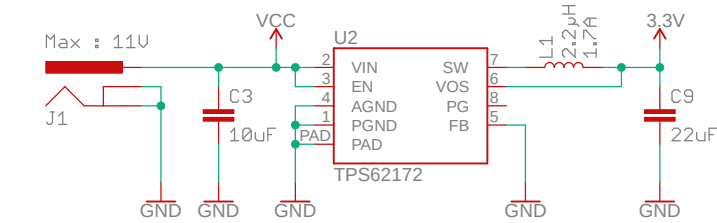
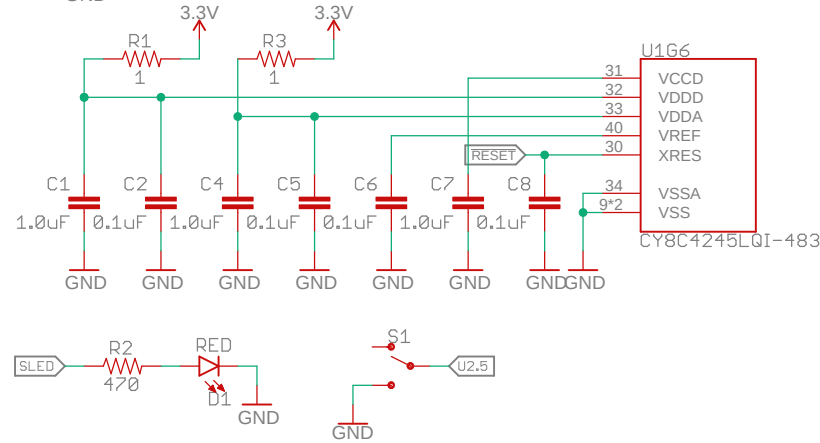
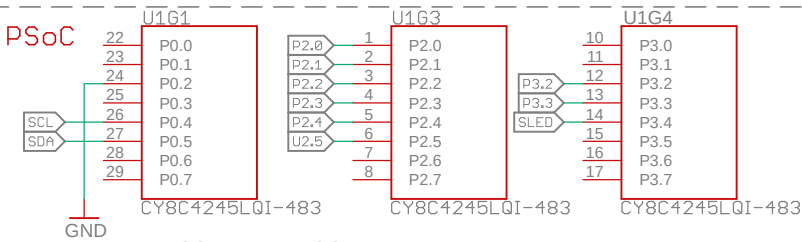


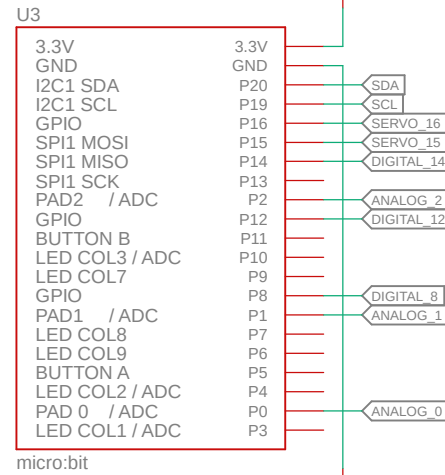
Power Supply



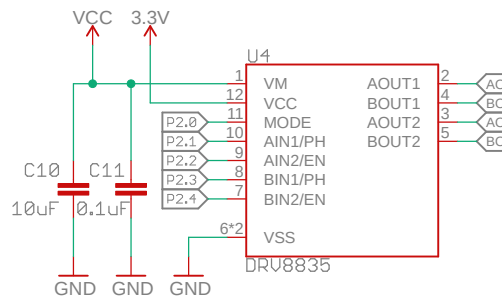
PSoC



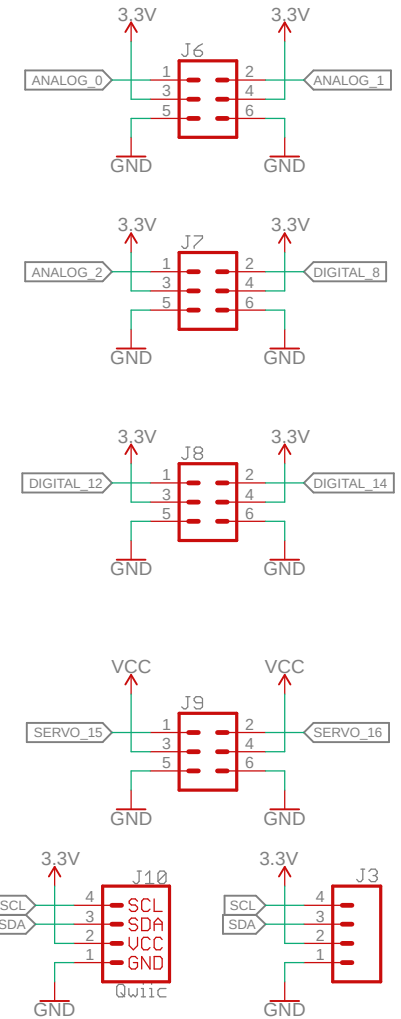
micro:bit



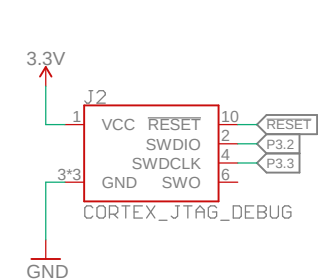
Motor Driver



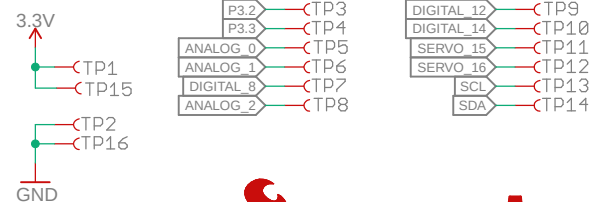
Connectors



Programming Header



Test Points



Released under the Creative Commons

Attribution Share-Alike 4.0 License

<https://creativecommons.org/licenses/by-sa/4.0/>



TITLE: SparkFun_Micro_Bit_Moto_Bit

Design by: Alex Wende

REV:
v20

Date: 1/15/2020 3:00 PM

Sheet: 1/1