



Electrical Specifications

Center Frequency: 102.4 MHz
3dB Bandwidth: ± 75 kHz Min
Insertion Loss: 4.0 dB Max, 3.5 dB Target
Pass Band Ripple: 1.0 dB Max
20 dBc Band Width: ± 250 kHz Max
Impedance: 50 Ω

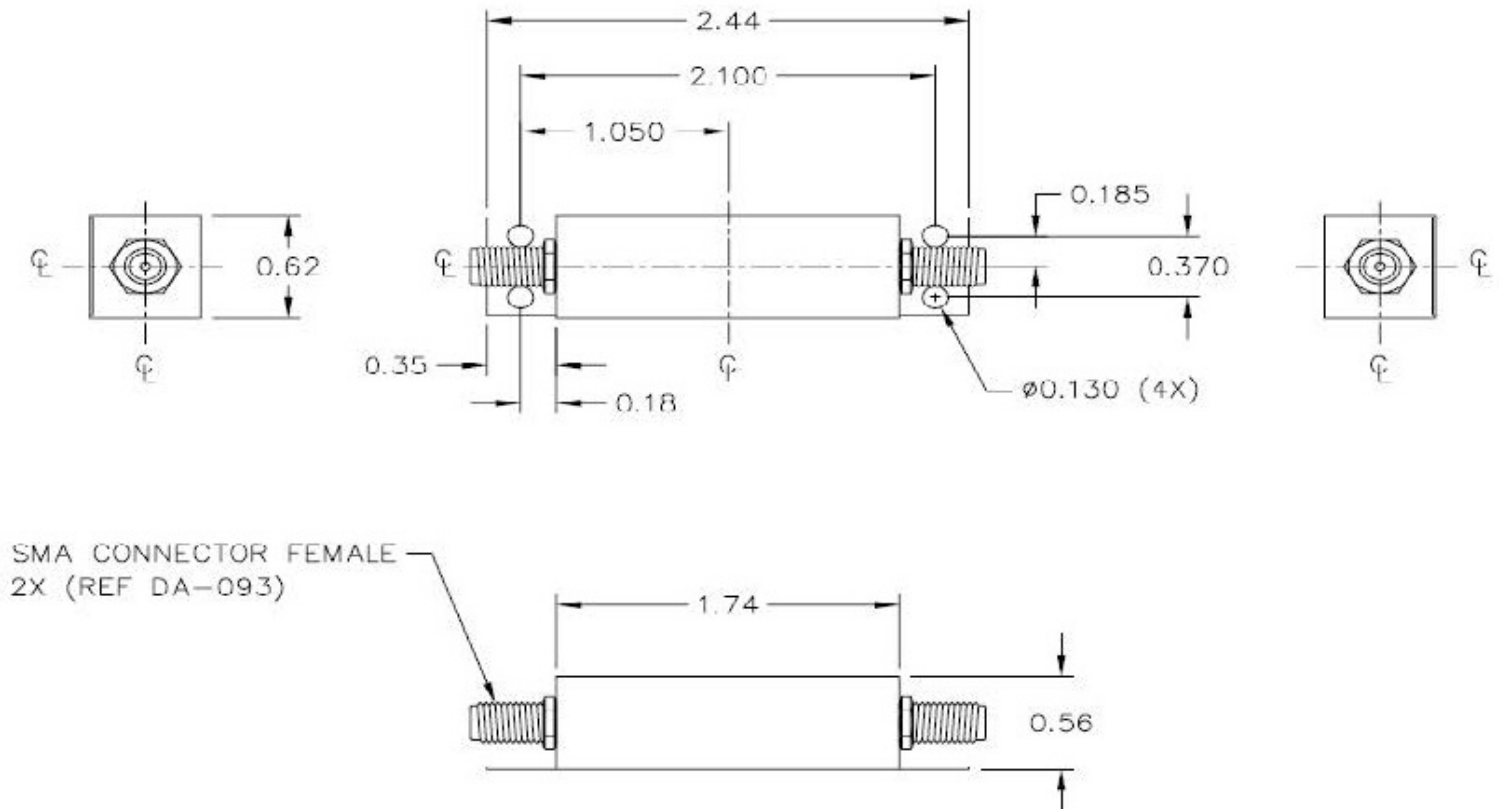
Mechanical

Connector Type: SMA (F)
Dimensions: 1.74 x 0.62 x 0.56 Inches

Environmental

Operating Temperature: -40 to +85° C
Storage Temperature: -50 to +95° C
Shock: 20 G. 11 ms
Vibration: 20 G. 5 to 200 MHz

Outline Drawing:



SMA CONNECTOR FEMALE
2X (REF DA-093)



Response Plot:

