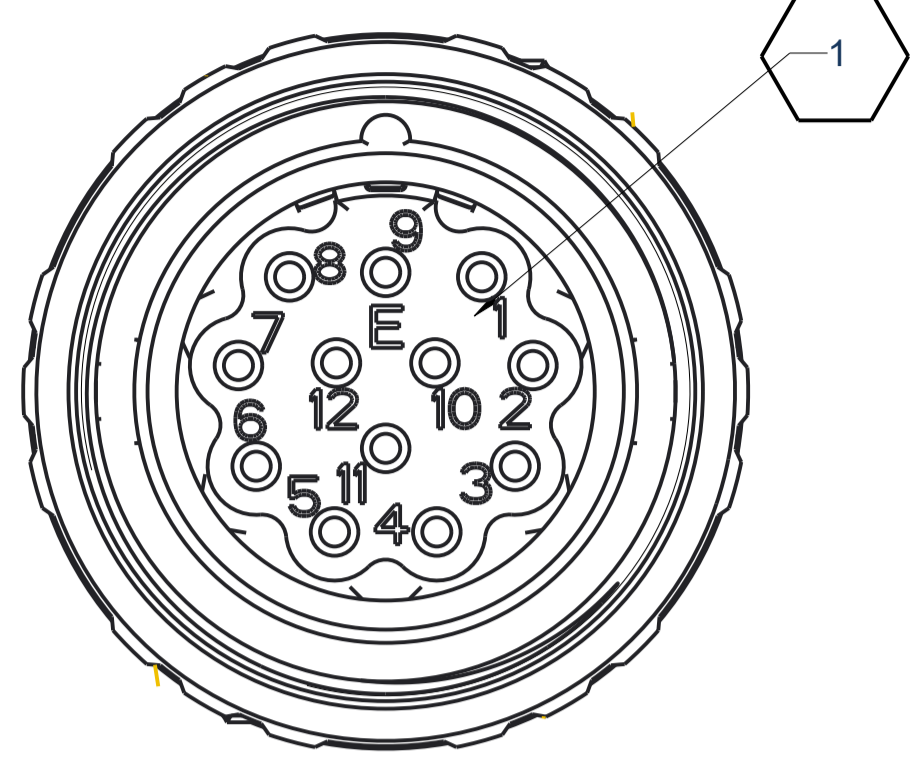
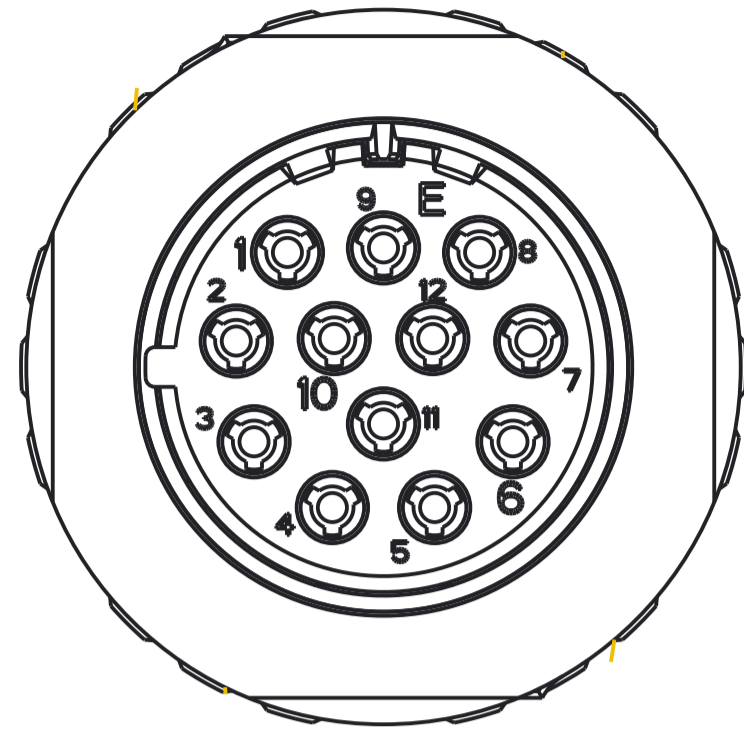


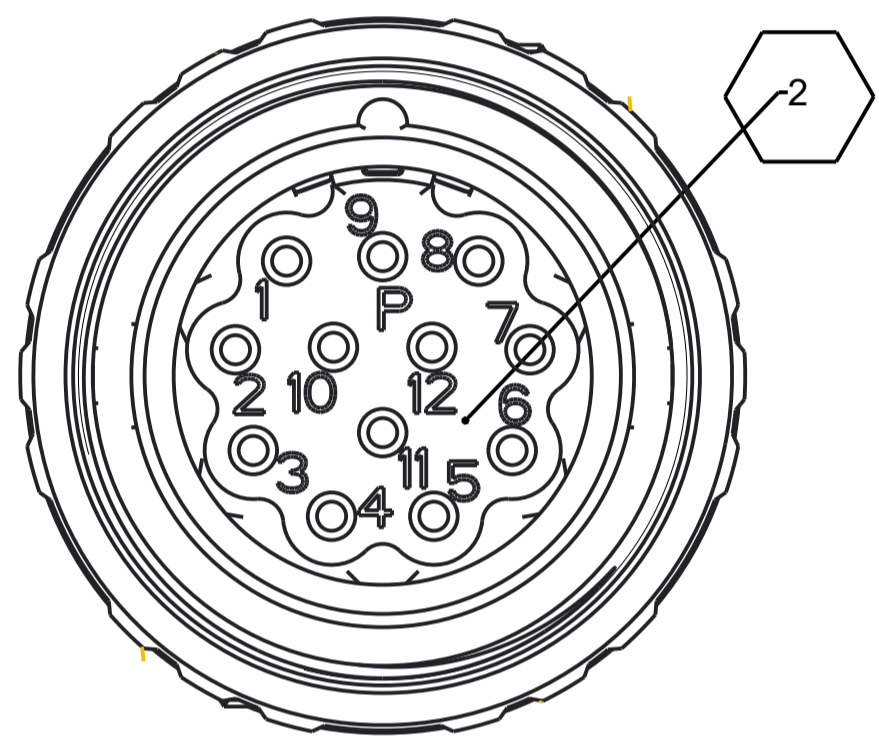
12-pin, Plug side, * E-type (Clockwise)



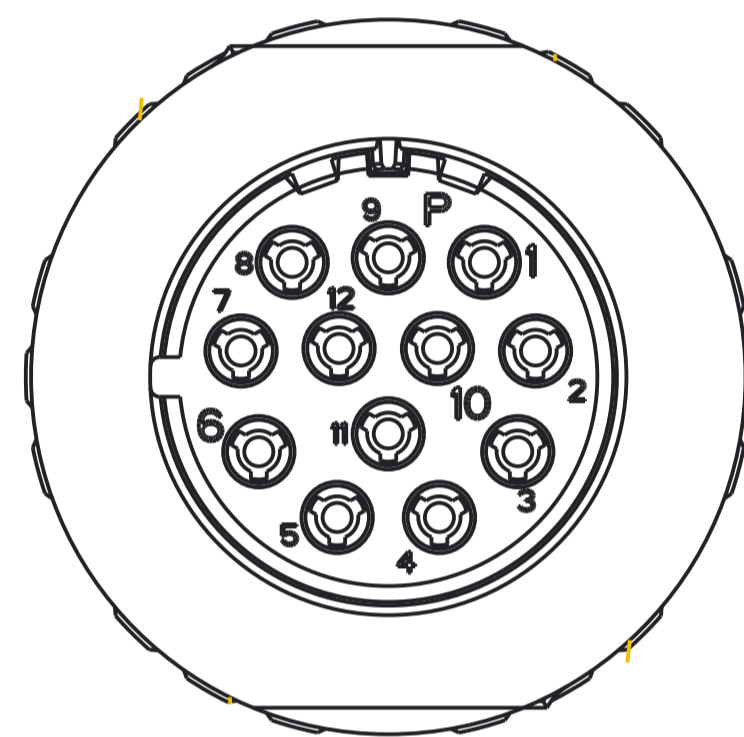
12-pin, Connecting side, * E-type



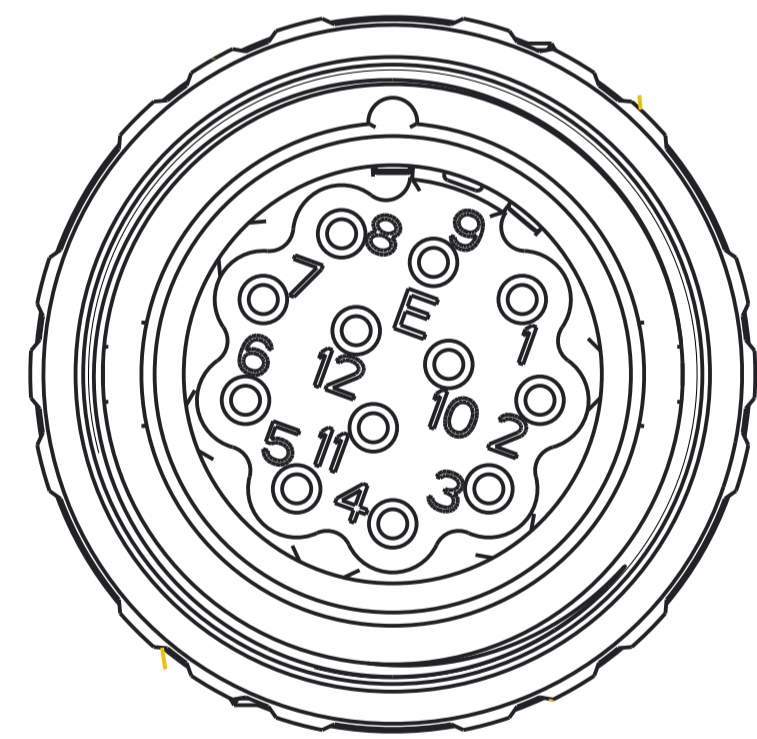
12-pin, Plug side, * P-type (Counterclockwise)



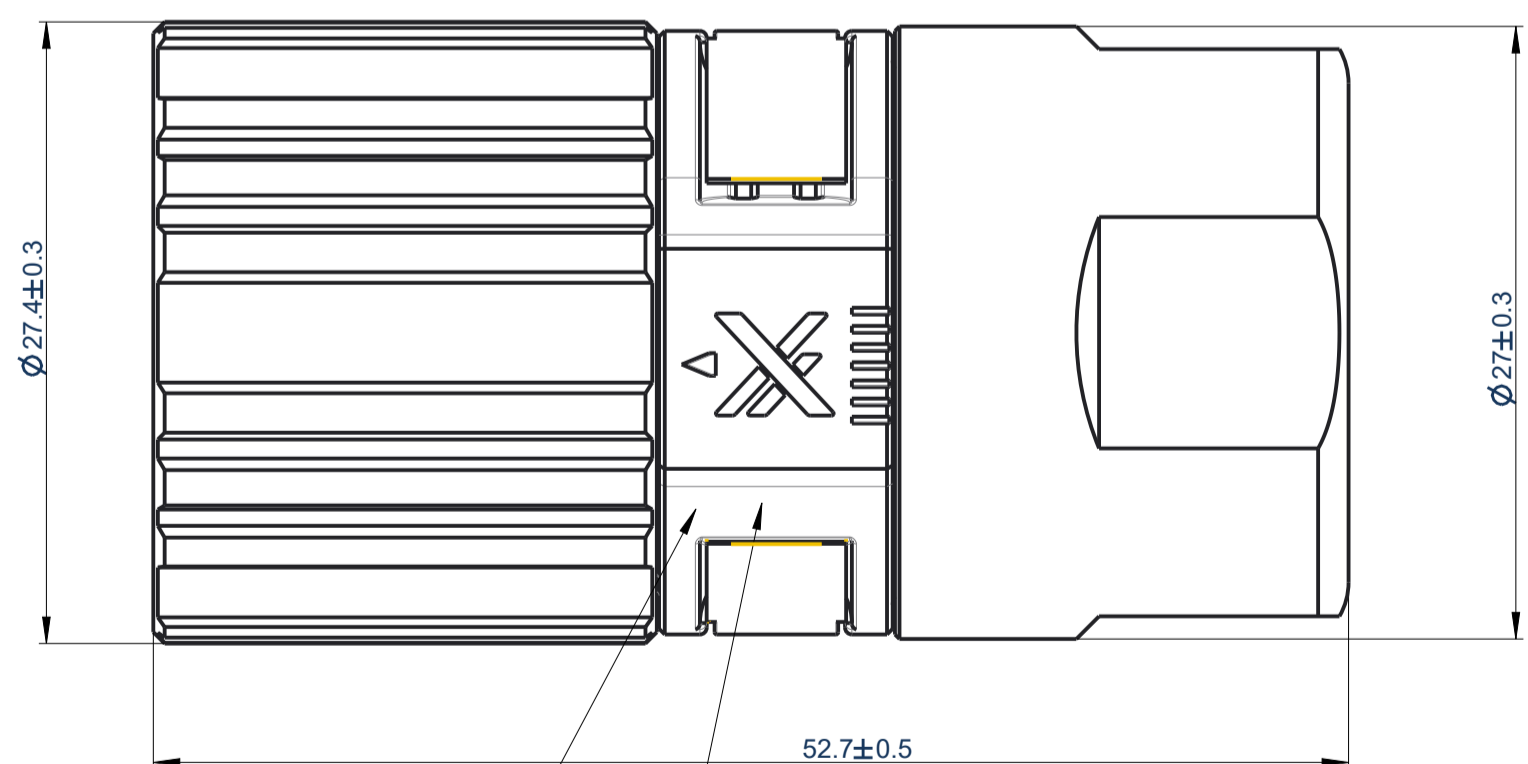
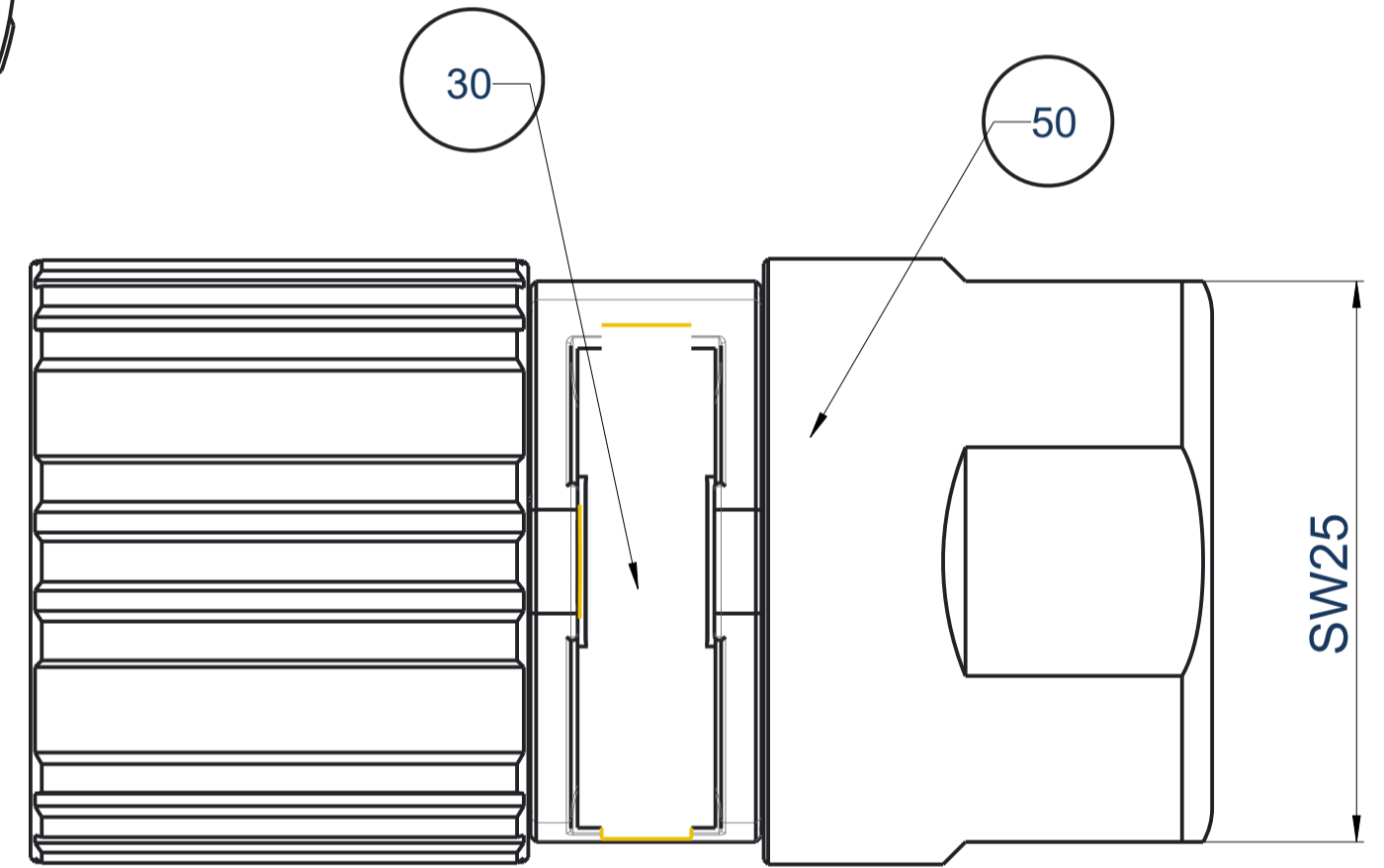
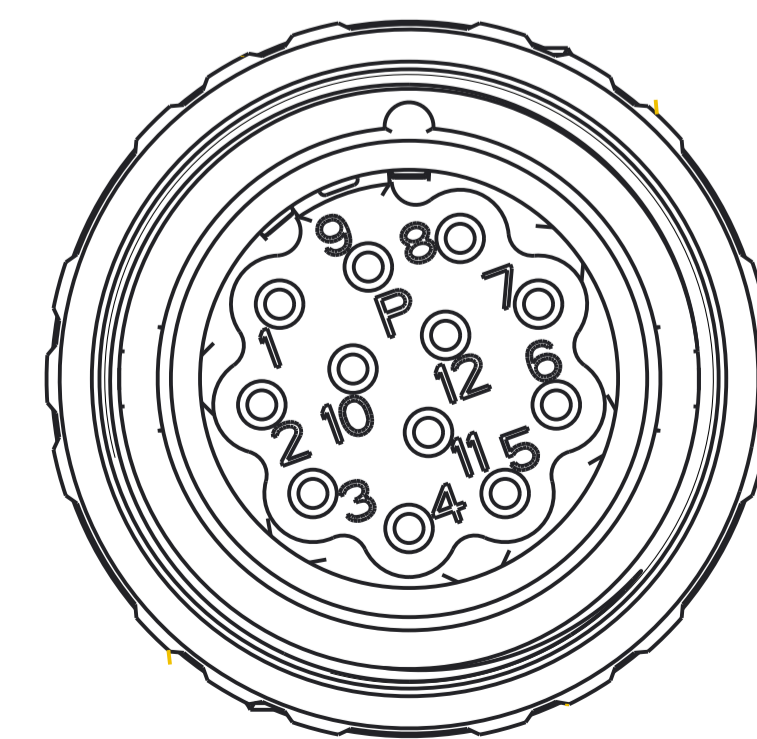
12-pin, Connecting side, * P-type



12-pin, Plug side, * E-type (Clockwise 20° rotation)



12-pin, Plug side, * P-type (Counterclockwise 20° rotation)



surface
 1 ≅ Cu 10-12 Ni 4 - 6 mt

*Note:- 17-pin, Plug side "E- type (clockwise)"
 "P-type (Counterclockwise)"

3 Contact Code

NNNN : without contacts

12-pin, Thread version, E-type (Clockwise)	
Part number	Clamping range
A1AF0212BNNNN100	3.5 mm to 5 mm
A1AF0312BNNNN100	4.5 mm to 7.5 mm
A1AF2412BNNNN100	6.5 mm to 10 mm
A1AF2512BNNNN100	9.0 mm to 12.5 mm
A1AF2612BNNNN100	12 mm to 15 mm
A1AF2712BNNNN100	14.5 mm to 16.7 mm

12-pin, Snap-X version, P-type (Counterclockwise)	
Part number	Clamping range
A1AH0212ANNNN100	3.5 mm to 5 mm
A1AH0312ANNNN100	4.5 mm to 7.5 mm
A1AH2412ANNNN100	6.5 mm to 10 mm
A1AH2512ANNNN100	9.0 mm to 12.5 mm
A1AH2612ANNNN100	12 mm to 15 mm
A1AH2712ANNNN100	14.5 mm to 16.7 mm

2 12-pin, Thread version, P-type (Counterclockwise)	
Part number	Clamping range
A1AF0212ANNNN100	3.5 mm to 5 mm
A1AF0312ANNNN100	4.5 mm to 7.5 mm
A1AF2412ANNNN100	6.5 mm to 10 mm
A1AF2512ANNNN100	9.0 mm to 12.5 mm
A1AF2612ANNNN100	12 mm to 15 mm
A1AF2712ANNNN100	14.5 mm to 16.7 mm

FRAA : with contact

2 12-pin, Thread version, P-type (Counterclockwise)	
Part number	Clamping range
A1AF0212AFRAA101	3.5 mm to 5 mm
A1AF0312AFRAA101	4.5 mm to 7.5 mm
A1AF2412AFRAA101	6.5 mm to 10 mm
A1AF2512AFRAA101	9.0 mm to 12.5 mm
A1AF2612AFRAA101	12 mm to 15 mm
A1AF2712AFRAA101	14.5 mm to 16.7 mm

12-pin, Snap-X version, P-type (Counterclockwise)	
Part Number	Clamping range
A1AH0212AFRAA101	3.5 mm to 5 mm
A1AH0312AFRAA101	4.5 mm to 7.5 mm
A1AH2412AFRAA101	6.5 mm to 10 mm
A1AH2512AFRAA101	9.0 mm to 12.5 mm
A1AH2612AFRAA101	12 mm to 15 mm
A1AH2712AFRAA101	14.5 mm to 16.7 mm

1 12-pin, Thread version, E-type (Clockwise)	
Part number	Clamping range
A1AF0212BFRAA101	3.5 mm to 5 mm
A1AF0312BFRAA101	4.5 mm to 7.5 mm
A1AF2412BFRAA101	6.5 mm to 10 mm
A1AF2512BFRAA101	9.0 mm to 12.5 mm
A1AF2612BFRAA101	12 mm to 15 mm
A1AF2712BFRAA101	14.5 mm to 16.7 mm

ITEM	QTY	discription	material	surface/color
50	1	M23 clamp ring	ZnAl4Cu1	No
40	1	M23 Cable Clamp (inside)	PA 66/6 FKM	black black/green
30	2	M23 Wings	Grillon TS V0	black
20	1	M23 insulation insert (inside)	PA 66	black
10	1	M23 plug housing	ZnAl4Cu1	1

ISO 16016 Take care of guard coment!
 Part must be confirm to Icotronix standard IX-0001

RELEASED 22-101-012-001 0

TK USA

1.5:1

Description: M23 plug, 12 -pin

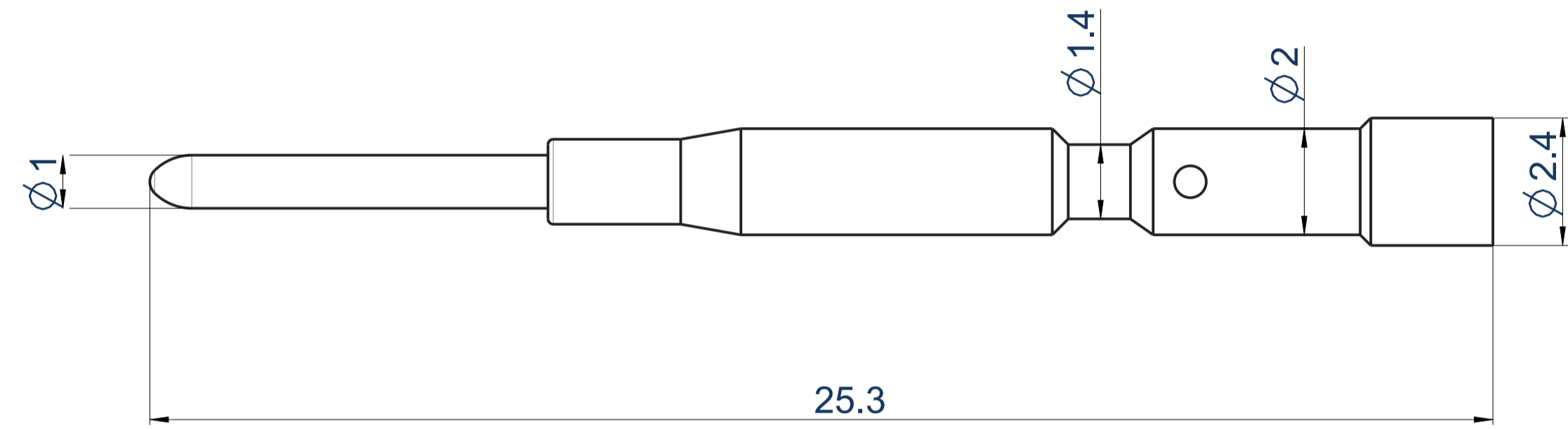
icotronix

Surface: 19998.225 mm²
 Volumen: 14291.233 mm³
 Mass: 87.024 g

Drawn by: 13.07.22 / Sunny
 Checked by: 15.07.22 / Sunny
 Approved by:

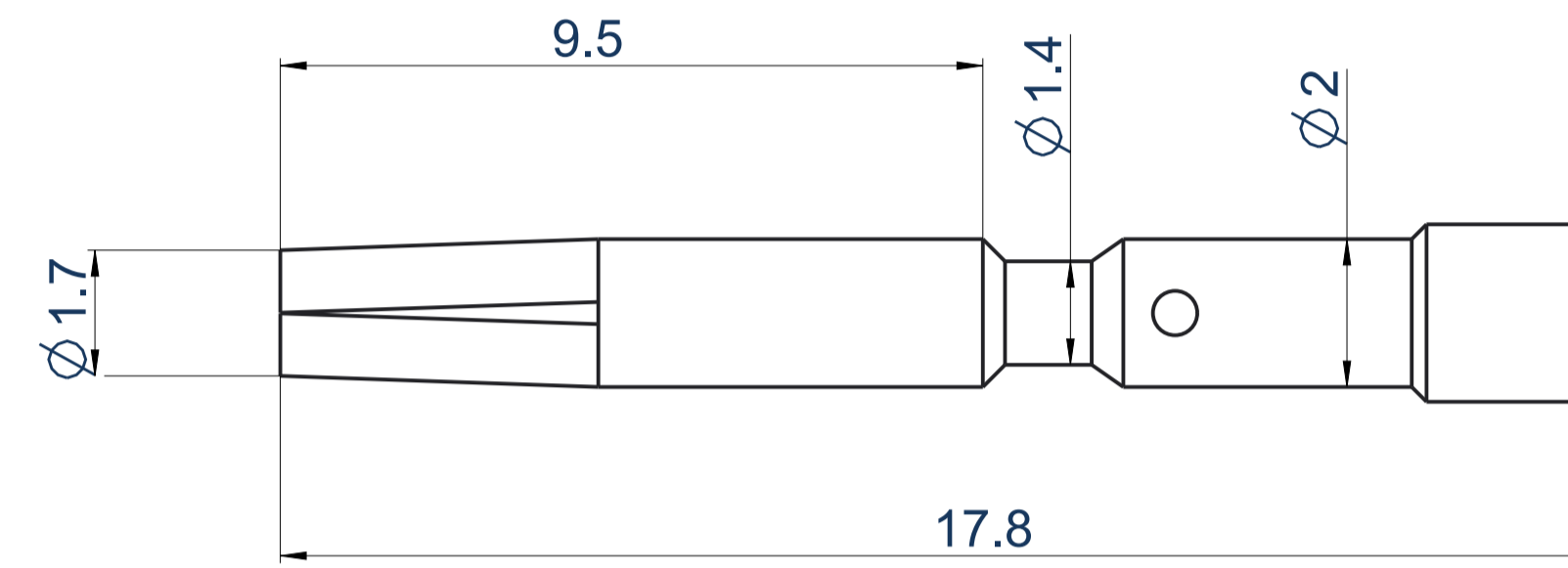
All dimensions without units is mm

Signal Contact type:- Ø1 mm, Pin



Crimping range
0.14 - 1.0 mm²

Signal Contact type:- Ø1 mm, Socket




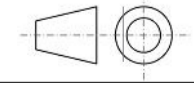

Crimping range
0.14 - 1.0 mm²

3 Contact Code

contact code	part number	contact type	crimping range	QTY
NNNN	-	-	-	0
MRAA	03-000001-01-22	Ø1mm - Pin	0.14 mm ² to 1 mm ²	12
MRAB	03-000001-012-22	Ø1mm - Pin	0.03 mm ² to 0.34 mm ²	12
FRAA	04-000001-01-22	Ø1mm - Socket	0.14 mm ² to 1 mm ²	12

NOTE
FRAA :- Female Contact
FRAB :- Female Contact
MRAA :- Male Contact
MRAB :- Male Contact

SURFACE 169.488 mm²
VOLUMEN 44.598 mm³
MASS 0.375 g

ISO 16016 Take care of guard coment! Part must be confirm to Icotronix standard IX-0001		RELEASED	22-101-012-001	0
		1,5:1	Part Number	See list
			Description	M23 plug, 12 -pin
Drawn by	13.07.22 / Sunny		All dimensions without units in mm	
Changed by	15.07.22 / Sunny			
Checked by				
Approved by				