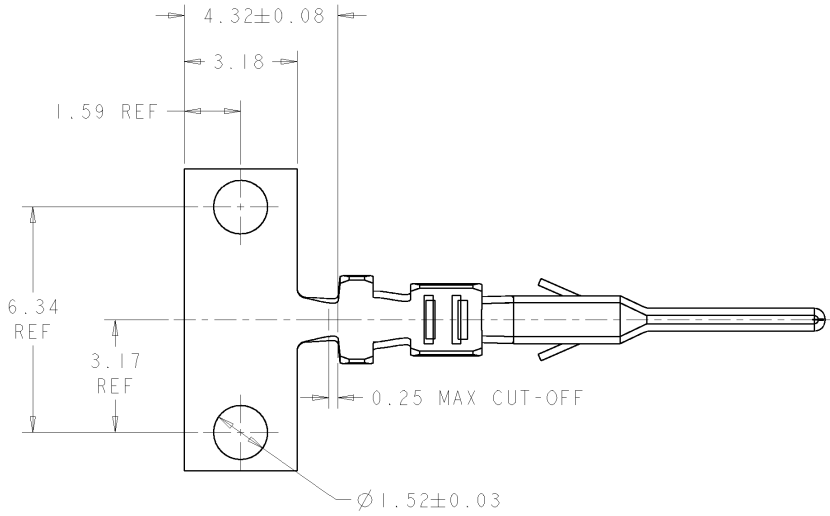
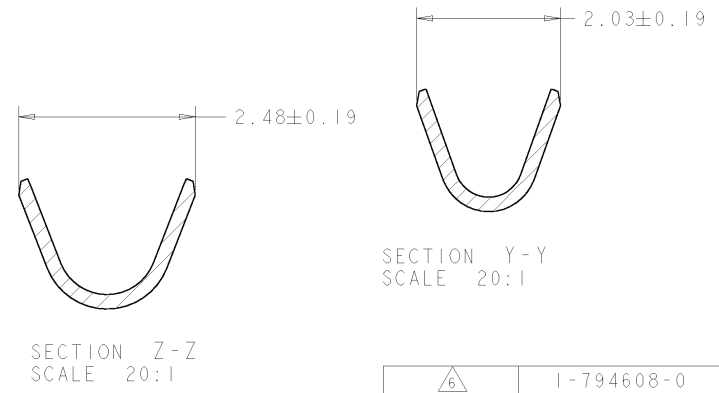
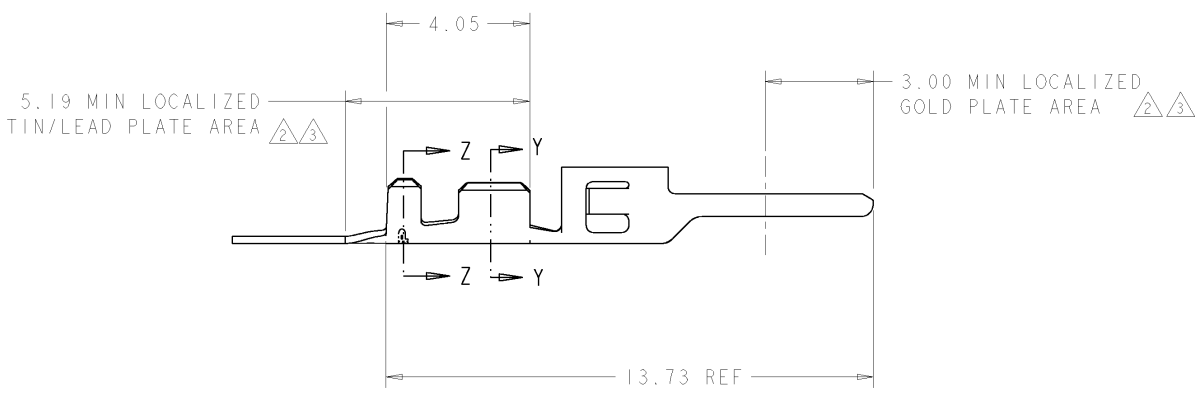


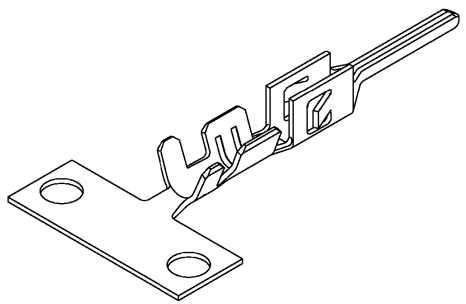
LOC	DIST	REVISIONS					
CM	00	P	LTN	DESCRIPTION	DATE	DRN	APVD
		B		REVISED PER 0G3B-0289-03	24-JUN-03	RW	CJ
		C		REVISED PER 0G3B-0519-03	24-JUN-03	RW	CJ



- 1. 2.54 µm MIN BRIGHT TIN/LEAD ENTIRE STOCK OVER 1.27 µm MIN NICKEL ENTIRE STOCK.
- 2. 0.38 µm MIN GOLD IN LOCALIZED GOLD PLATE AREA, 2.54 µm MIN BRIGHT TIN/LEAD IN LOCALIZED TIN/LEAD PLATE AREA, BOTH OVER 1.27 µm MIN NICKEL ON ENTIRE STOCK.
- 3. 0.76 µm MIN GOLD IN LOCALIZED GOLD PLATE AREA, 2.54 µm MIN BRIGHT TIN/LEAD IN LOCALIZED TIN/LEAD PLATE AREA, BOTH OVER 1.27 µm MIN NICKEL ON ENTIRE STOCK.
- 4. WIRE RANGE 20-24 AWG.
- 5. INSULATION RANGE 0.89-1.52
- 6. 2.54 µm MIN BRIGHT TIN ENTIRE STOCK OVER 1.27 µm MIN NICKEL ENTIRE STOCK.



6	1-794608-0
3	794608-3
2	794608-2
1	794608-1
FINISH	PART NUMBER



THIS DRAWING IS A CONTROLLED DOCUMENT OF TYCO ELECTRONICS CORPORATION. IT IS SUBJECT TO CHANGE AND THE USER HAS THE OBLIGATION TO CONTACT THE SUPPLIER FOR THE LATEST REVISIONS AND/OR DATUMS.		DRN W J RUDY 29AUG2000	Tyco Electronics Harrisburg, PA 17105-3608	
DIMENSIONS: mm		CHK W DAVIS 29AUG2000	NAME PLUG CONTACT, CRIMP SNAP, 20-24 AWG, MICRO MATE-N-LOK™	
TOLERANCES UNLESS OTHERWISE SPECIFIED: 0 PLC ± 1 PLC ± 2 PLC ±0.13 3 PLC ± 4 PLC ± ANGLES ± FINISH -		APVD W DAVIS 29AUG2000	PRODUCT SPEC - APPLICATION SPEC - WEIGHT -	
MATERIAL 0.20 THK BRASS		SIZE A2	CAGE CODE 00779	DRAWING NO C-794608
CUSTOMER DRAWING		RESTRICTED TO -		SCALE 10:1